

Customer Information Sheet

DRAWING No.: KAI-0400005

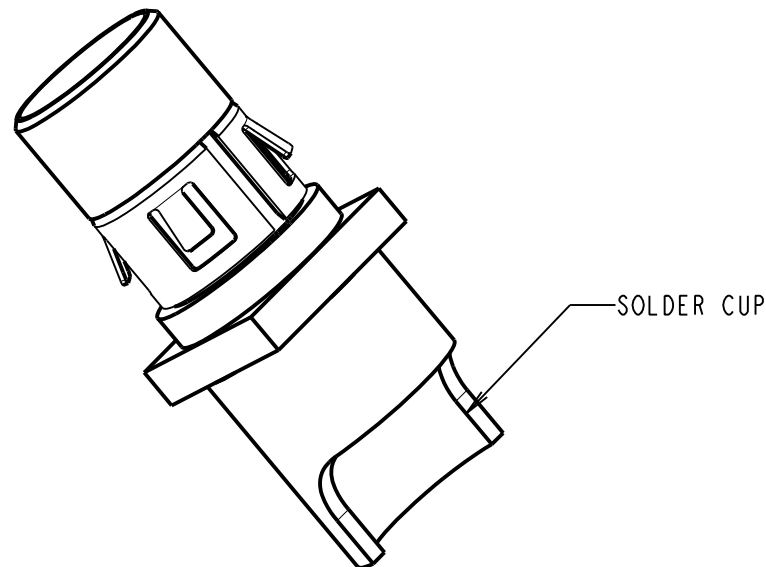
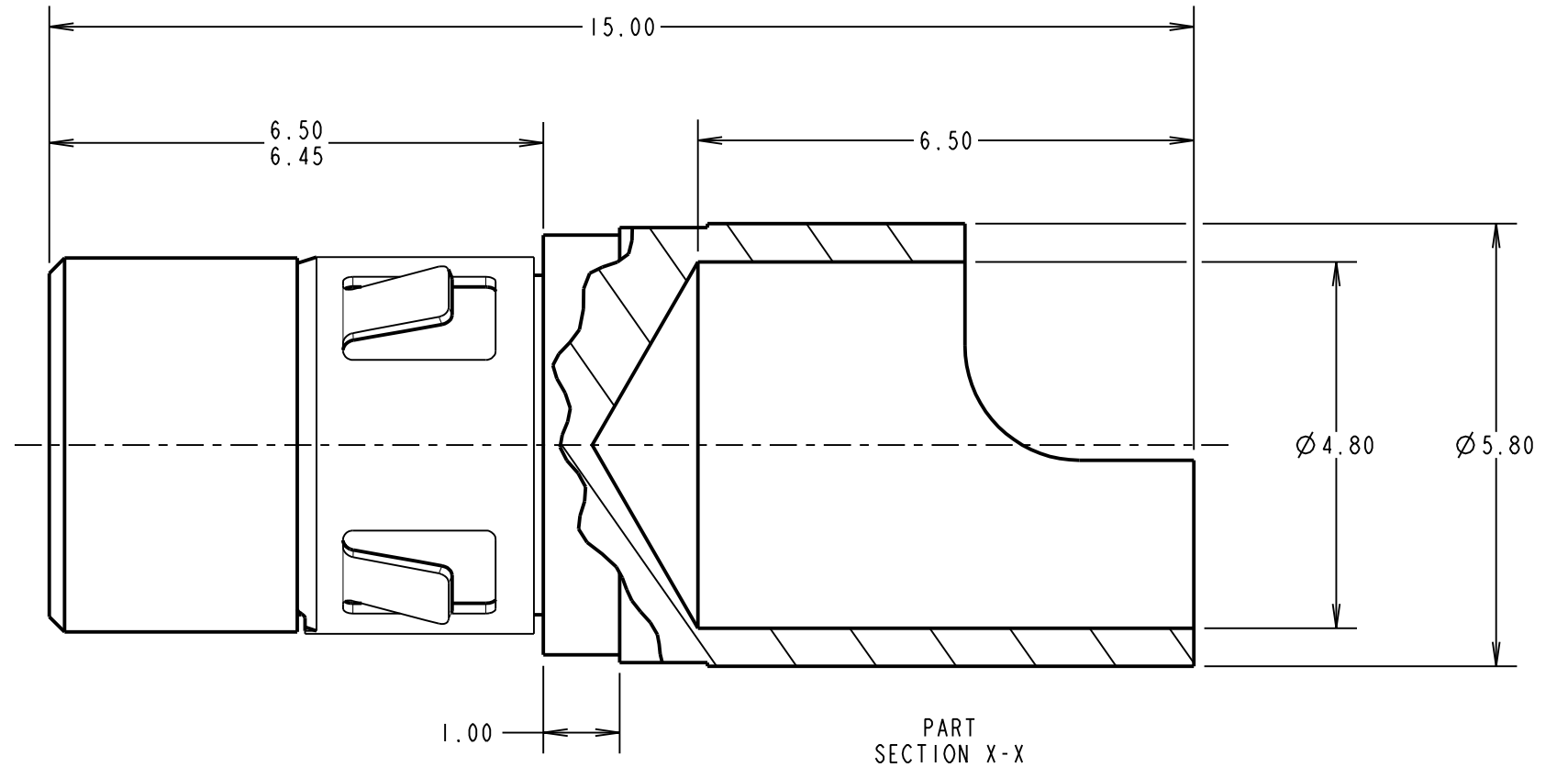
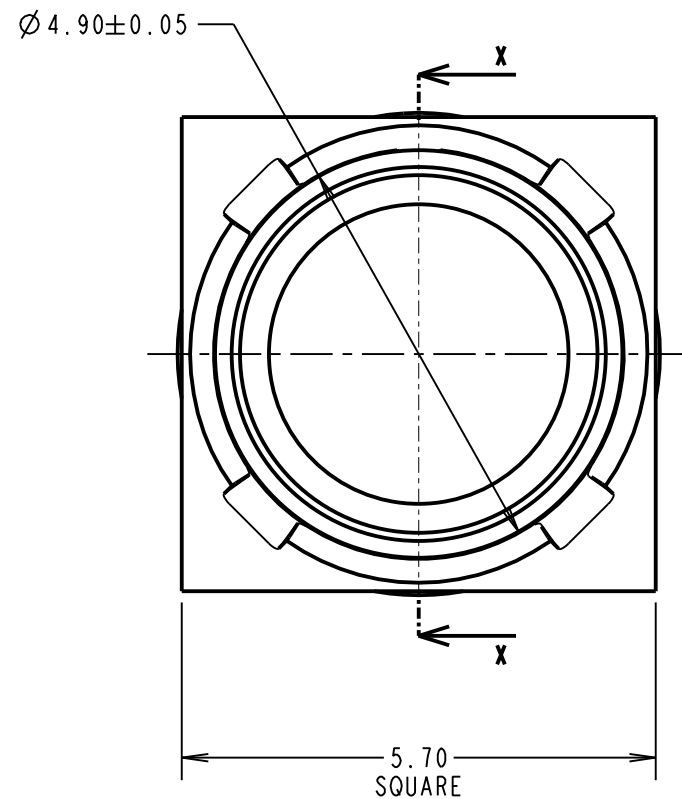
IF IN DOUBT - ASK

©

NOT TO SCALE

THIRD ANGLE PROJECTION

ALL DIMENSIONS IN mm



NOTES:

1. STRIP WIRE BY 7.0mm.
2. CONTACT EXTRACTION TOOL = ZAI-9040000
3. FOR ALL OTHER ELECTRICAL / MECHANICAL REQUIREMENTS, SEE COMPONENT SPECIFICATION C052XX (LATEST ISSUE).
4. MAX WIRE CONDUCTOR SIZE = $\varnothing 4.24$ mm / 8AWG.
MAX WIRE INSULATION DIAMETER = 7.50mm.
5. PACK SIZE = 10

MR	2	15.02.21	30380
NAME	ISS.	DATE	CN/CO
APPROVED: M. RUDKIN			
CHECKED: R. PORTLOCK			
DRAWN: M. RUDKIN			
CUSTOMER REF.:			
ASSEMBLY DRG:			

HARWIN

www.harwin.com
technical@harwin.com

THIS DRAWING AND ANY INFORMATION OR DESCRIPTIVE MATTER SET OUT HEREON ARE CONFIDENTIAL AND COPYRIGHT PROPERTY OF THE HARWIN GROUP AND MUST NOT BE DISCLOSED, LOANED, COPIED OR USED FOR MANUFACTURING, TENDERING OR FOR ANY OTHER PURPOSE WITHOUT THEIR WRITTEN PERMISSION.

TOLERANCES

X. = ± 1 mm
X.X = ± 0.50 mm
X.XX = ± 0.20 mm
X.XXX = ± 0.01 mm
ANGLES = $\pm 5^\circ$
UNLESS STATED

MATERIAL:

SEE ABOVE

FINISH:

S/AREA:

mm²

TITLE: KONA SERIES - FEMALE CONTACT WITH LATCHING COLLAR

DRAWING NUMBER:

KAI-0400005

SHT
2 OF 2