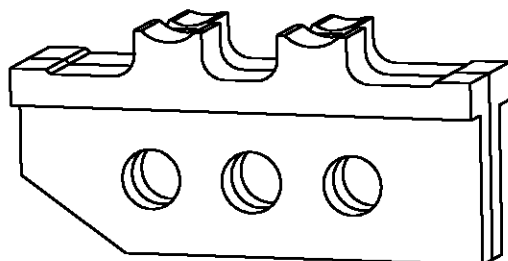
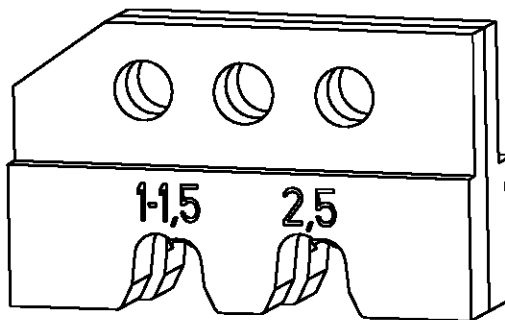


LOC	DIST	REVISIONS					
A1	-	P	LTR	DESCRIPTION	DATE	DWN	APVD
			A	new drawing	11FEB2002	-	-

Kontakt Contact	DGB (mm ²) Wire Range	Drahtcrimp/Wirecrimp Hoehe/Height	Breite/W width	Isocrimp Breite/W width	Iso.-∅ Ins. Range	Betriebsanl. Instr. Sheet
42565 / 160447 / 160449	1.0-1.5	1.60	2.80	4.60	3.0-4.3	411-18181
	2.5	1.87				



539731-2	1	8-539634-5	screw M4x11	Schraube M4x11	A
	1	0-519151-9	screw M4x10	Schraube M4x10	A
	QTY Stck	PN	Description	Benennung	REV

19

RELEASED FOR PUBLICATION

THIS DRAWING IS UNPUBLISHED.

BY TYGO ELECTRONICS CORPORATION. ALL RIGHTS RESERVED.

© COPYRIGHT 19

DIMENSIONS: mm-DIN 7168-m		DWN M.Heiss 24 JAN2000	MATERIAL -	FINISH -			
TOLERANCES UNLESS OTHERWISE SPECIFIED:		CHK U.Reuter 24 JAN2000	AMP tyco Electronics AMP GmbH D - 64625 Bensheim				
0 PLC ± 1 PLC ± 2 PLC ± 3 PLC ± 4 PLC ± ANGLES ±		APVD -					
		PRODUCT SPEC -	NAME ERGOCRIMP Die Set for 6.3 mm FASTIN-FASTON				
		APPLICATION SPEC -	SIZE A4	CAGE CODE 00779	DRAWING NO C=539731-2	RESTRICTED TO -	
		WEIGHT -	CUSTOMER DRAWING		SCALE 2:1	SHEET 1 OF 1	REV A