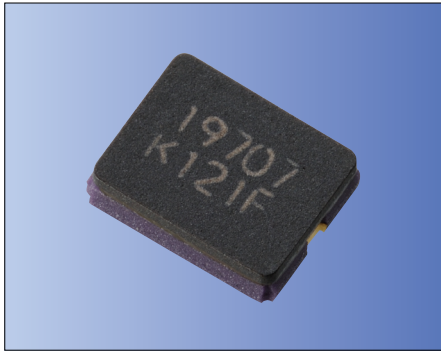




3.2×2.5mm for Automotive



**Features**

- Crystal unit for automotive electronics
- Improved solderability
- Small and low profile (3.2×2.5×0.85mm)
- Ceramic package
- Reflow compatible
- Acceptable heat cycle solder junction for 3000 cycles (-40 to +125°C)

**Applications**

- ECU
- TPMS
- High-Speed Automotive Network

**How to Order**

CX3225GA 16000 D0 P T V □□  
 ① ② ③ ④ ⑤ ⑥ ⑦

- ①Series
- ②Frequency
- ③Load Capacitance
- ④Frequency Tolerance
- ⑤Operating Temp. Range
- ⑥Frequency Temp. Stability
- ⑦Individual Specification

D0	8 pF	P	±50×10 <sup>-6</sup>
----	------	---	----------------------

TV	-40 to +150°C	±150×10 <sup>-6</sup>
----	---------------	-----------------------

⑦ Packaging (Tape & Reel 3000 pcs./ reel)



**Specifications**

Item	Symbol	Specification	Unit	Remarks
Frequency Range	f <sub>nom</sub>	8, 12, 16, 20, 25, 40	MHz	Please contact us for other frequency range.
Overtone Order	OT	Fundamental	—	
Load Capacitance	CL	8	pF	Please contact us for other CL requirements.
Frequency Tolerance	f <sub>tol</sub>	±50	×10 <sup>-6</sup>	25°C±3°C
Motional Series Resistance	R1	Table 1	ohm	
Drive Level	DL	10μW(200μW max.)	μW	
Operating Temp. Range	T <sub>use</sub>	-40 to +150	°C	
Storage Temp. Range	T <sub>stg</sub>	-40 to +150	°C	
Frequency Temp. Characteristics	f <sub>tem</sub>	±150	×10 <sup>-6</sup>	Freq. deviation from the value at 25°C

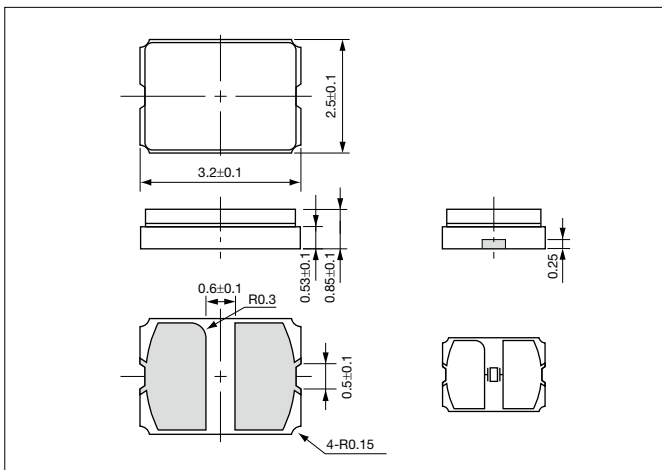
Please contact us for other specifications.

**Table 1 Motional Series Resistance** Please contact us for other frequency range.

Frequency	Motional Series Resistance
8MHz	500 Ω max.
12MHz	200 Ω max.
20MHz	100 Ω max.

**Dimensions**

(Unit: mm)



**Recommended Land Pattern**

(Unit: mm)

