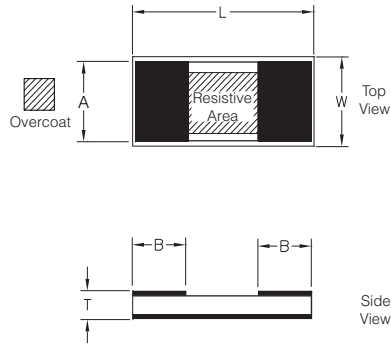


# High Power Resistive Products

## Chip Resistors – CR1 Style

### GENERAL SPECIFICATIONS

- **Resistance:** 100 Ω standard, (other Ω values available)
- **Resistive Tolerance:** ±5% standard (2% Available)
- **Operating Temp Range:** -55 to +150°C
- **Temperature Coefficient:** <150 ppm/°C
- **Resistive Elements:** Proprietary Thin Film
- **Substrate Material:** Aluminum Nitride
- **Terminals:** Silver
- **Lead-Free, RoHS Compliant**
- **Reliability:** MIL-PRF-55342
- **Non-Magnetic**
- **Tape and Reel Specifications:**



Values in Inches

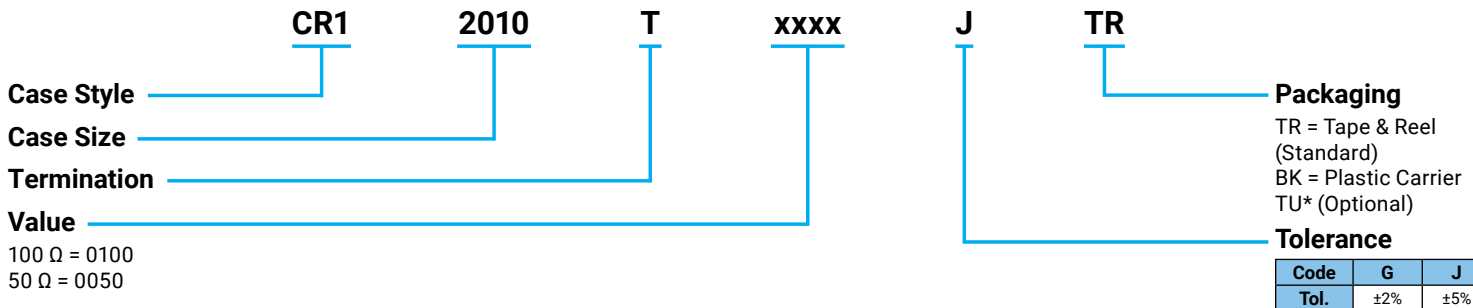
Part Number*	W ± .010	L ± .010	T ± .005	A ± .005	B (Typ.)	Capacitance (pF)	Power Max** (Watts)
CR11005TxxxxJ	.050	.100	.025	.045	.020	.75	5W
CR11206TxxxxJ	.060	.120	.025	.055	.020	.90	15W
CR12010TxxxxJ	.100	.200	.040	.090	.020	1.0	30W
CR12525TxxxxJ	.245	.245	.040	.130	.020	2.0	60W
CR12525TxxxxJ01	.245	.245	.040	.130	.020	2.0	100W
CR13725TxxxxJ	.250	.375	.040	.198	.025	4.15	150W
CR13737TxxxxJ	.370	.370	.040	.330	.025	6.0	250W

\* xxxx denotes Ohm value.

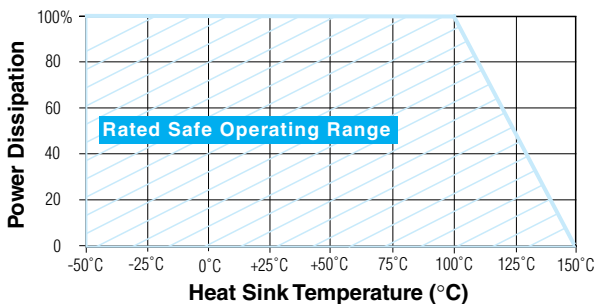
\*\* Test Condition: Chip soldered to a large copper carrier whose surface is at 100° C; maximum rated power applied.

Specification: The resistance of the film shall change no more than 0.5% during and after a 1000-hr. Burn-in per Mil-PRF-55342.

### HOW TO ORDER



### POWER DERATING



# Mouser Electronics

Authorized Distributor

Click to View Pricing, Inventory, Delivery & Lifecycle Information:

## KYOCERA AVX:

[CR11005T0100JTR](#) [CR11206T0100JTR](#) [CR12010T0050JTR](#) [CR12525T0050JTR](#) [CR13725T0050JTR](#)  
[CR13737T0050JTR](#) [CR12010T0100JTR](#) [CR11005T0050JTR](#) [CR11206T0000JTR](#) [CR11206T0050JTR](#)  
[CR12335T0050JTR](#) [CR12335T0100JTR](#) [CR12525T0100JTR](#) [CR13737T0012JTR](#) [CR13737T0100JTR](#)  
[CR12525T0200JTR](#) [CR13725T0068JTR](#) [CR13725T0100JTR](#) [CR13725T0150GTR](#) [CR13725T0150JTR](#)  
[CR13737T0010JTR](#)