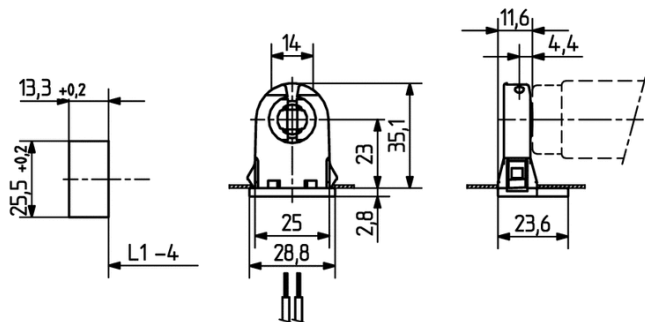


# Fluorescent lampholder G13

## 26.290.4012.50



T 130

Tm110

U out  
500 V



18 AWG 0,5 - 1,0  
mm<sup>2</sup>



0,4 - 2,0



# Fluorescent lampholder G13

## 26.290.4012.50

---



### DESCRIPTION

For enclosed cut-outs

A pair of lampholders provides a lamp length tolerance compensation of 3 mm

Product name:	Fluorescent lampholder G13
Symbol Ausprägung:	0,5 - 1,0 mm <sup>2</sup>
Mounting method 1:	Push through mount
Lamp center:	23
Material:	Housing: PC Rotor: PBT
T-Marking:	130
Approval:	cULus
cULus file no.:	E-92235
Material thickness:	0.4 - 2.0
Front Test:	yes
Rotor:	with
Top Test:	yes
Color:	white
Weight:	6
Pkg.:	500