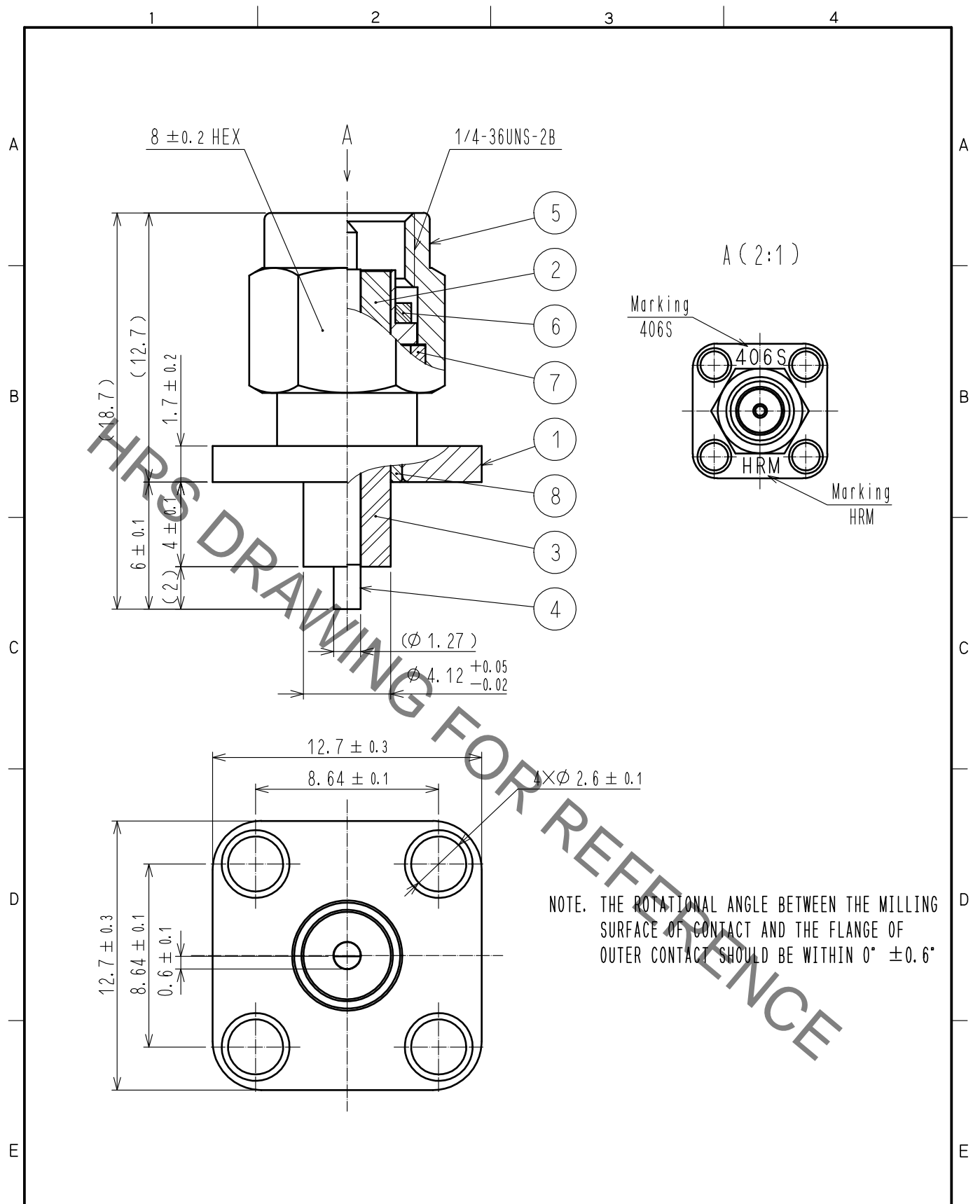


Oct.1.2022 Copyright 2022 HIROSE ELECTRIC CO., LTD. All Rights Reserved.
 In case of consideration for using Automotive equipment / device which demand high reliability, kindly contact our sales window correspondents.



NOTE. THE ROTATIONAL ANGLE BETWEEN THE MILLING SURFACE OF CONTACT AND THE FLANGE OF OUTER CONTACT SHOULD BE WITHIN 0° ± 0.6°

4	BRASS	GOLD PLATING	8	STAINLESS STEEL	PASSIVATE		
3	PTFE		7	BERYLLIUM COPPER	NICKEL PLATING		
2	PTFE		6	SILICONE RUBBER			
1	STAINLESS STEEL	PASSIVATE	5	STAINLESS STEEL	PASSIVATE		
NO.	MATERIAL	FINISH . REMARKS	NO.	MATERIAL	FINISH . REMARKS		
UNITS mm		SCALE 4 : 1	COUNT 	DESCRIPTION OF REVISIONS	DESIGNED	CHECKED	DATE
HRS HIROSE ELECTRIC CO., LTD.	APPROVED	·NK. NINOMIYA	20220127	DRAWING NO.	EDC-006106-40-00		
	CHECKED	·NK. NINOMIYA	20220127	PART NO.	HRM-406S(40)		
	DESIGNED	·MT. KANEKO	20220126	CODE NO.	CL0323-0075-8-40		
	DRAWN	·YK. MITSUISHI	20220125		1/1		