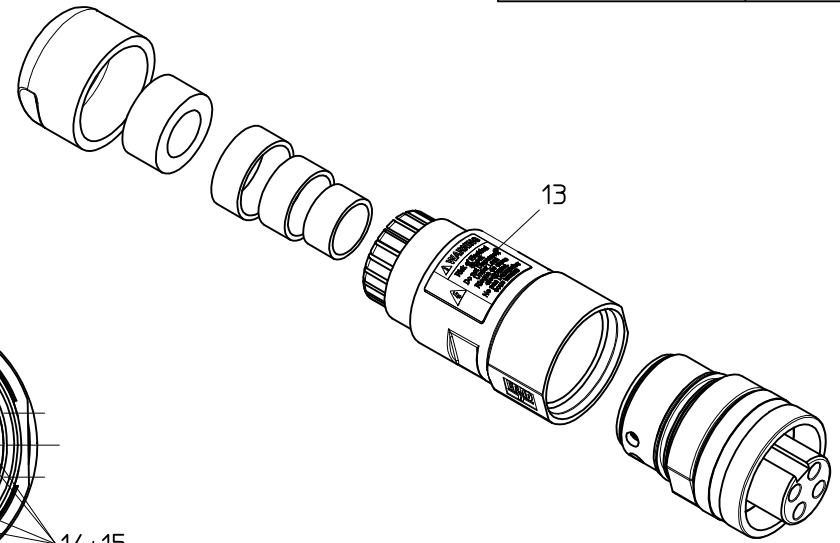
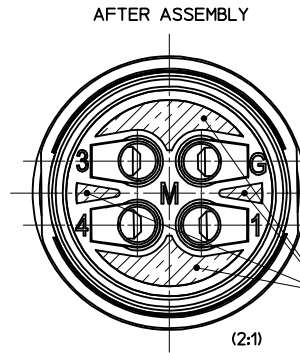
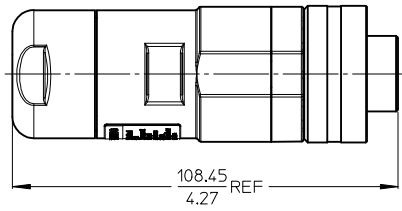


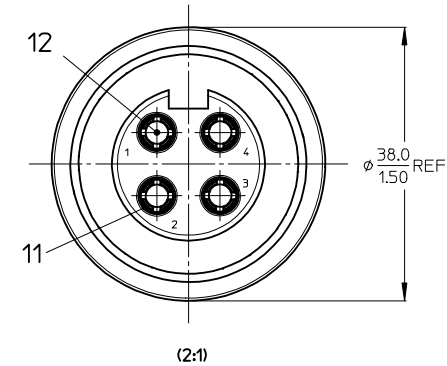
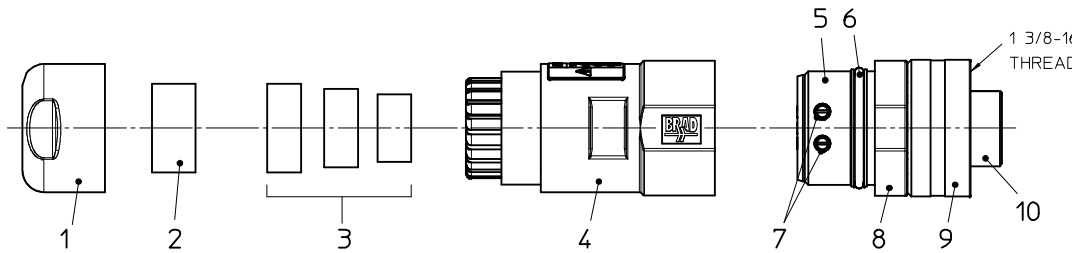
NOTES:

1. MATERIAL: SEE TABLE
2. FINISHES: SEE TABLE
3. PACKAGING: PART IS PACKED IN CLEAR POLY BAG WITH BARCODE LABEL ATTACHED
4. MATES WITH: BRAD MALE RECEPTACLE
5. WIRE RANGE: 8 AWG - 14 AWG (10mm<sup>2</sup> - 2.5mm<sup>2</sup>)
6. CABLE OD RANGE: .48 - .81 (12.2mm - 20.6mm)
7. ELECTRICAL SPECIFICATIONS:  
 VOLTAGE RATING: 600V AC  
 CURRENT RATING:  
 8 AWG - 32 AMPS  
 10 AWG - 32 AMPS  
 12 AWG - 20 AMPS  
 14 AWG - 15 AMPS
8. ENVIRONMENTAL PROTECTION: IP67, IP69K

MATERIAL NO.	ENGINEERING NO.
1300700023 (FINISHED PART)	CA4000-39
1203360005 (PRE-ASSEMBLED)	1930 00090 08004



14+15  
 ULTIMATE HEIGH POTTING MATERIAL  
 ABOUT 2mm UNTIL UNDER THE EDGE



ITEM	COMPONENT	MATERIAL	FINISH
1	NUT M32	PA66	BK
2	GASKET MO 14.8x12.25	CR	GY
3	GASKETS MO (SMALL,MEDIUM,LARGE)	CR	BK
4	HOUSING FA M32	PA66	BK
5	INSERT ADAPTER	PA66	BK
6	GASKET OR 29x2.5	NBR	BK
7	SCREW M4x10	V2A	-
8	COUPLING RING	PA66	BK
9	NUT, INTERNAL THREAD	AL	AN (NATUR)
10	INSERT AC	PVC	-
11	SLEEVE	BRASS ALLOY	ZN
12	CONTACT 31.2MM FE	CU ALLOY	AU PLATED
13	WARNING LABEL	PLASTIC FILM	-
14	POTTING MATERIAL	WEVO RESIN PU 552 FL NATUR 50	-
15	MPIS RESIN HARDNER	-	-

CURRENT WAS 25 AMPS EC NO: IFC2017-0717 DRWNR:STONE 2017/01/26 CHKD:K COX 2017/01/30 APPR:WOODMAN 2017/02/04 C	QUALITY SYMBOLS ▼=0 ▽=0 DESCRIPTION	GENERAL TOLERANCES (UNLESS SPECIFIED)		DIMENSION STYLE MM/IN	SCALE 1:1	DESIGN UNITS METRIC	THIRD ANGLE PROJECTION		
		4 PLACES ± --- ± --- 3 PLACES ± --- ± --- 2 PLACES ± --- ± .01 1 PLACE ± 0.3 ± --- 0 PLACE ± --- ± ---	mm INCH	DRAWN BY RSCHIEBER	DATE 2012/10/10	TITLE FA 4P AC FE STR UNSH			
		DRAFT WHERE APPLICABLE MUST REMAIN WITHIN DIMENSIONS		CHECKED BY APOHL	DATE 2012/10/24				
				APPROVED BY CBURGER	DATE 2012/11/21				
		ANGULAR ±1/2°		MATERIAL NO. SEE CHART	DOCUMENT NO. SD-120336-001	SHEET NO. 1 OF 1			
THIS DRAWING CONTAINS INFORMATION THAT IS PROPRIETARY TO MOLEX INCORPORATED AND SHOULD NOT BE USED WITHOUT WRITTEN PERMISSION									

# Mouser Electronics

Authorized Distributor

Click to View Pricing, Inventory, Delivery & Lifecycle Information:

[Molex:](#)

[1300700023](#)