

Piezoelectric Ceramic Sensors (PIEZOTITE®)



Preface

Recently, with the remarkable advance of electronics technology, various new products have come into existence. Until this time, the effect of electronics was seen most clearly in television, radio and other communications equipment, but as semiconductor technology, and computer technology advance, the range of electronics' effect on our lives has increased dramatically. In particular, sensor technology and the greater intelligent functions of today's microcomputers have served as a basis for the trend toward combining electronics and mechanics into what is called mechatronics.

It is not merely the equipment itself, however, that has made all this possible. Within the equipment are highly sophisticated components with unique functions which can translate electrical to mechanical energy and mechanical to electrical energy and which play a large role in today's equipment modernization and advance. These are piezoelectric components. This catalog briefly introduces the basics of piezoelectric ceramics, Murata's piezoelectric ceramic materials, piezoelectric transducers and other products.

Please insure the component is thoroughly evaluated in your application circuit.

In case that the component is not mentioned in our catalog, please contact your Murata representative for details.

CONTENTS

PIEZOTITE®, CERAFIL® and CERALOCK® in this catalog are the trademarks of Murata Manufacturing Co., Ltd.

1	Introduction	2
2	Characteristics of Piezoelectric Ceramics (PIEZOTITE®)	3
	1. Resonant Frequency and Vibration Mode	3
	2. Piezoelectric Material Constant Symbols	6
	1 Frequency Constant N	6
	2 Piezoelectric Constants d and g	6
	3 Electromechanical Coupling Coefficient k	6
	4 Mechanical Qm	6
	5 Young's Modulus Y ^E	7
	6 Poisson's Ratio σ ^E	7
	7 Density ρ	7
	8 Relative Dielectric Constant $\frac{\epsilon^T}{\epsilon_0}$	7
	9 Curie Temperature T _c	7
	10 Coercive Field E _c	7
3	Murata's Piezoelectric Ceramics (PIEZOTITE®) Material	8
	1. Characteristics of Typical Materials	8
	2. Features of PIEZOTITE® Materials	9
	3. Temperature Characteristics and Aging	9
4	Murata's Piezoelectric Ceramic Resonators (PIEZOTITE®)	10
	1. Shapes	10
	2. Standard Specification Models	10
	3. Notice	10
5	Piezoelectric Ceramic (PIEZOTITE®) Applications	11
	Molded Underwater Transducer	12
	Ultrasonic Sensor	13
	Shock Sensor	22
	Knocking Sensor Elements	24
	Electric Potential Sensor	25

1 Introduction

2 Characteristics of Piezoelectric Ceramics (PIEZOTITE®)

3 Murata's Piezoelectric Ceramics (PIEZOTITE®) Material

4 Murata's Piezoelectric Ceramics Resonators (PIEZOTITE®)

5 Piezoelectric Ceramic (PIEZOTITE®) Applications

1 Introduction

1. What are Piezoelectric Ceramics?

Piezoelectric ceramics are known for what are called the piezoelectric and reverse piezoelectric effects. The piezoelectric effect causes a crystal to produce an electrical potential when it is subjected to mechanical vibration. In contrast, the reverse piezoelectric effect causes the crystal to produce vibration when it is placed in an electric field. Of piezoelectric materials, Rochelle salt and quartz have long been known as single-crystal piezoelectric substances. However, these substances have had a relatively limited application range chiefly because of the poor crystal stability of Rochelle salt and the limited degree of freedom in the characteristics of quartz. Later, barium titanate (BaTiO_3), a piezoelectric ceramic, was introduced for applications in ultrasonic transducers, mainly for fish finders. More recently, a lead titanate, lead zirconate system ($\text{PbTiO}_3\text{-PbZrO}_3$) appeared, which has electromechanical transformation efficiency and stability (including temperature

characteristics) far superior to existing substances. It has dramatically broadened the application range of piezoelectric ceramics. When compared with other piezoelectric substances, both BaTiO_3 and $\text{PbTiO}_3\text{-PbZrO}_3$ have the following advantages:

■Advantages

- ① High electromechanical transformation efficiency
- ② High machinability
- ③ A broad range of characteristics can be achieved with different material compositions (high degree of freedom in characteristics design).
- ④ High stability
- ⑤ Suitable for mass production, and economical

Murata, as a forerunner in the piezoelectric ceramic industry, offers an extensive range of products with piezoelectric applications.

2. Properties of Piezoelectric Ceramics

Piezoelectric ceramics are a type of multi-crystal dielectric with a high dielectric constant and are formed by two processes: first, high temperature firing. After firing, they have the characteristic crystal structure shown in Fig. 1 (a) but do not yet exhibit the piezoelectric property because the electrical dipoles within the crystals are oriented at random and the overall moment of the dipoles is canceled out. To make ceramics piezoelectric they must be polarized. A DC electric field of several kV/mm is applied to the piece of ceramic to align the internal electrical dipoles in a single orientation (see Fig. 1 (b)). Due to the strong dielectric property of the ceramic, the dipole moment remains unchanged after the electric field is removed, and the ceramic thus exhibits a strong piezoelectric property (see Fig. 1 (c)). When an AC signal is applied to a piezoelectric ceramic (piezoelectric transducer) in a frequency matching the specific elastic frequency of the ceramics (which depends on the shape of the material), the ceramic exhibits resonance. Since the ceramic has a very high electromechanical transforming efficiency at the point of

resonance, many applications use this resonance point. Also piezoelectric ceramics when molded in certain shapes have more than one point of resonance depending on vibration mode. In such a case, the vibration mode most suited for the application is selected.

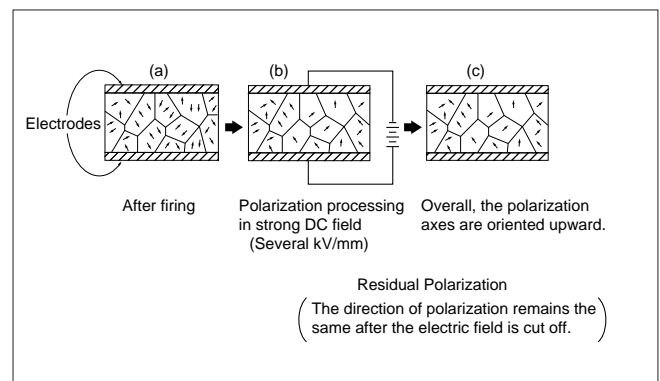


Fig. 1 Polarization Processing of Piezoelectric Ceramics

3. Application of Piezoelectric Ceramics

Product applications for piezoelectric ceramics include the following categories:
 Murata has and is continuing to direct extensive research development efforts to the entire range of applications of piezoelectric ceramics listed in the right side. It is expected that the applications of piezoelectric ceramics will continue to extend into a broader range of industries as new piezoelectric materials are created.
 This application manual concentrates on applications with mechanical power sources and sensors which are now finding broader applications.

■Piezoelectric Applications

- ① Mechanical power sources (electrical-to-mechanical transducers):
Piezoelectric actuators, piezoelectric fans, ultrasonic cleaners, etc.
- ② Sensors (mechanical-to-electrical transducers):
Ultrasonic sensors, knocking sensors, shock sensors, acceleration sensors, etc.
- ③ Electronic circuit components (transducers):
Ceramic filters, ceramic resonators, surface acoustic wave filters, etc.

2 Characteristics of Piezoelectric Ceramics (PIEZOTITE®)

For using piezoelectric ceramics, it is important to first have an adequate knowledge of the properties of different piezoelectric materials before choosing a suitable type for

a specific application. The following sections describe the major characteristics which need to be evaluated to determine the properties of piezoelectric ceramic materials.

1. Resonant Frequency and Vibration Mode

If an AC voltage of varying frequency is applied to a piezoelectric ceramic (piezoelectric transducer) of a certain shape, it can be seen that there is a specific frequency at which the ceramic produces a very strong vibration. This frequency is called the resonant frequency, f_r , and depends on the ceramic's specific elastic vibration (resonance) frequency, which is a function of the shape of the material.

Piezoelectric ceramics have various vibration modes (resonant modes) which depend on their shape, orientation of polarization, and the direction of the electric field. Each of these vibration modes have unique

resonant frequencies and piezoelectric characteristics. Fig. 2 shows typical vibration modes in relation to the shapes of ceramic materials, the resonant frequency in each vibration mode, and the material constant symbols. In Fig. 2, the piezoelectric material constant symbols have the following meanings:

- N** : Frequency Constant (described in Section 1).
- d** : Piezoelectric Distortion Constant (described in Section 2).
- g** : Voltage Output Constant (described in Section 2).
- k** : Electromechanical Coupling Coefficient (described in Section 3).
- Y^E** : Young's Modulus (described in Section 5).
- ε^T** : Dielectric Constant (described in Section 8).

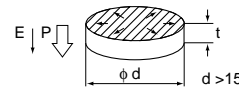
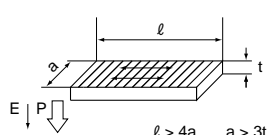
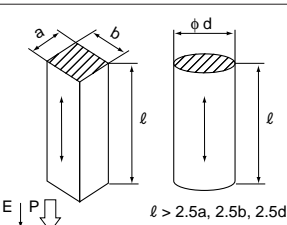
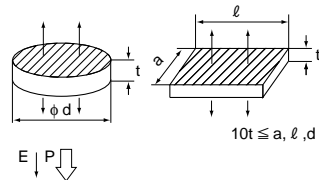
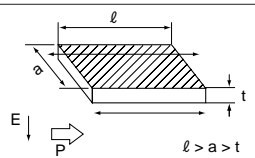
Vibration Mode	Shape/Vibration Mode	Resonant Frequency (f_r)	Material Constant Symbol					
			k	d	g	Y ^E	ε ^T	N
Radial Mode	 <p>P: Direction of polarization E: Direction of electric field Thin disk with radial vibration mode. Polarization is oriented along the thickness of the disk.</p>	$\frac{N_p}{d}$	k_p	d_{31}	g_{31}	Y_{11}^E	ϵ_{33}^T	N_p
Length Mode	 <p>Thin rectangular plate, with the direction of vibration orthogonal to the polarization axis and with a single point of resonance.</p>	$\frac{N_{31}}{\ell}$	k_{31}	d_{31}	g_{31}	Y_{11}^E	ϵ_{33}^T	N_{31}
Longitudinal Mode	 <p>Square and cylindrical columns. Vibration is oriented along the direction of polarization. Only a single point of resonance.</p>	$\frac{N_{33}}{\ell}$	k_{33}	d_{33}	g_{33}	Y_{33}^E	ϵ_{33}^T	N_{33}
Thickness Mode	 <p>Disk and rectangular plates which are thin compared to their surface areas. They have multiple points of resonance in longitudinal vibration mode.</p>	$\frac{N_t}{t}$	k_t	d_{33}	g_{33}	Y_{33}^E	ϵ_{33}^T	N_t
Shear Mode	 <p>Disk or rectangular plates, with the electric field orthogonal to the direction of polarization, causing a shear vibration along the surface.</p>	$\frac{N_{15}}{t}$	k_{15}	d_{15}	g_{15}	Y_{44}^E	ϵ_{11}^T	N_{15}

Fig. 2 Typical Vibration Modes, Resonant Frequencies, and Material Constant Symbols of Piezoelectric Ceramics

2 Characteristics of Piezoelectric Ceramics (PIEZOTITE®)

When a piezoelectric material is subjected to stress T , it produces polarization P which is a linear function of T : $P=dT$ (d : piezoelectric strain constant). This effect is called the normal piezoelectric effect. In contrast, when a piezoelectric substance has an electric field E applied across its electrodes, it produces distortion S which is a linear function of the electric field: $S=dE$. This effect is called the reverse piezoelectric effect. For an elastic material, the relationship of distortion S to the stress T is given by $S=s^E T$ (s^E : compliance); for a dielectric substance, the relationship of electrical displacement D with electric field strength E is given by $D=\epsilon E$. For a piezoelectric ceramic, these relationships are given by the following equations, both being associated with piezoelectric strain constants:

$$\left. \begin{aligned} S_i &= s_{ij}^E T_j + d_{mi} E_m \\ D_n &= d_{nj} T_j + \epsilon_{nm}^T E_n \end{aligned} \right\} \dots\dots (1)$$

$$(m, n = 1, 2, 3; i, j = 1, 2, \dots, 6)$$

These equations are called the basic piezoelectric equations (type d), where the electric field E and electrical displacement D are represented in vector magnitudes; whereas stress T and distortion S are given in symmetrical tensile magnitudes. When the symmetry of the crystals is taken into account, Eq. (1) is simplified because some constants in the equations are nullified and some other constants become equal to a third set of constants.

With piezoelectric ceramics, when the polarization axis is placed along the z (3) axis and two arbitrary orthogonal axes (which are also orthogonal to the z axis and assumed to be the x (1) and y (2) axis), the crystal structure of the ceramic can be represented in the same way as that of 6mm crystals, in which case the only independent non-zero coefficients are the following ten constants:

$$s_{11}^E \left(\frac{1}{Y_{11}^E} \right), s_{12}^E \left(\frac{1}{Y_{12}^E} \right), s_{13}^E \left(\frac{1}{Y_{13}^E} \right), s_{33}^E \left(\frac{1}{Y_{33}^E} \right), s_{44}^E \left(\frac{1}{Y_{44}^E} \right),$$

$$d_{31}, d_{33}, d_{15}, \epsilon_{11}^T, \epsilon_{33}^T,$$

For example, the basic piezoelectric equations for longitudinal vibration of a rectangular ceramic strip is given by the following equations:

$$\left. \begin{aligned} S_1 &= s_{11}^E T_1 + d_{31} E_3 \\ D_3 &= d_{31} T_1 + \epsilon_{33}^T E_3 \end{aligned} \right\} \dots\dots (2)$$

A piezoelectric ceramic transducer can be represented by an equivalent circuit which is derived from the basic piezoelectric equations representing its vibration mode. The circuit is called Maison's equivalent circuit. More generally, the equivalent circuit, as shown in Fig. 3, may be used to represent a piezoelectric ceramic. In this equivalent circuit, the serial resonant frequency f_s , and parallel resonant frequency f_p are given by the following equations:

$$\left. \begin{aligned} f_s &= \frac{1}{2\pi\sqrt{L_1 C_1}} \\ f_p &= \frac{1}{2\pi\sqrt{L_1 \cdot \frac{C_1 C_0}{C_1 + C_0}}} \end{aligned} \right\} \dots\dots (3)$$

Constants f_s and f_p are necessary to determine the electro-mechanical coupling coefficient k .

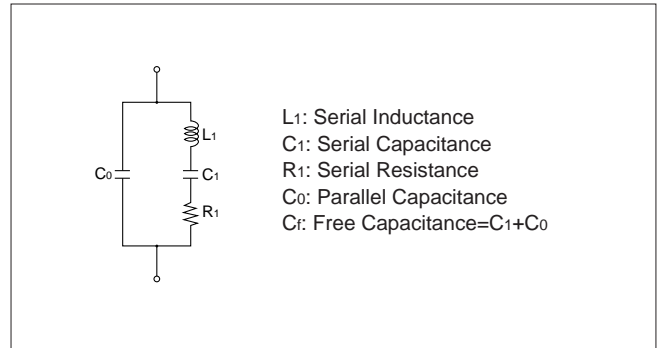


Fig. 3 Equivalent Circuit for Piezoelectric Ceramic Transducer

Strictly speaking, the resonant frequency can be defined in the following three ways:

- (1) Serial resonant frequency f_s of the equivalent serial circuit for a piezoelectric ceramic transducer.
- (2) Lower resonance frequency f_r , the lower of the two frequencies, where the cross-electrode admittance or impedance of the piezoelectric ceramic transducer is in the null phase.
- (3) Maximum admittance frequency f_m where the cross-electrode admittance of the piezoelectric ceramic transducer is maximized (impedance minimized).

However, the differences between the three frequencies, f_s , f_r , and f_m , is so small that it is negligible. In actual cases, therefore, when we measure frequency f_m , it can be called resonant frequency f_r . Also, the minimum admittance frequency f_n may be called antiresonant frequency f_a . The resonant frequency f_r can be measured with either of the following two circuits: see Fig. 4 and 5, next page.

Characteristics of Piezoelectric Ceramics (PIEZOTITE®)

2

■ Measuring Method Using Constant Voltage Circuit

The f_r measuring circuit using a constant voltage source is shown in Fig. 4.

The oscillator Osc and input resistors R_1 and R_2 are used to apply a constant voltage signal to the piezoelectric ceramic transducer. The current passing through the transducer is measured across output resistor R_2 .

If the transducer's impedance is much greater than R_2 , the voltmeter reading is proportional to the transducer's admittance. The frequency where the voltmeter reading is maximized is the resonant frequency f_r , and the frequency where the reading is minimized is the antiresonant frequency f_a .

Variable resistor R_v is used to determine the resonant resistance R_1 , which is needed to calculate the mechanical Q_m .

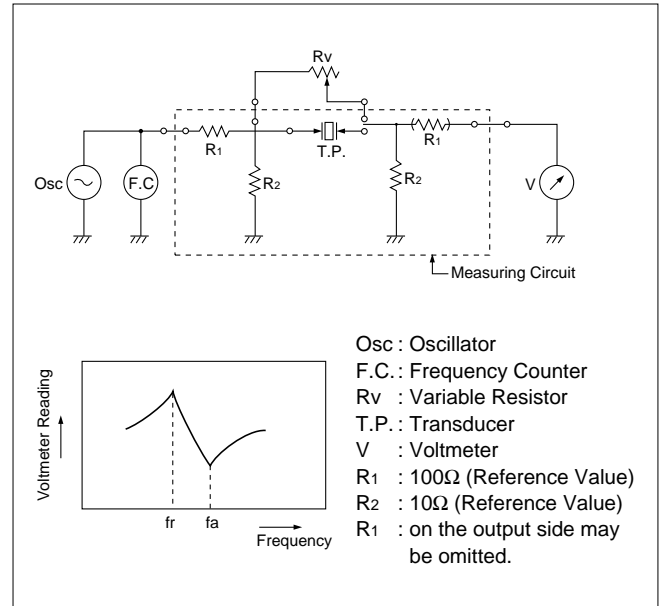


Fig.4 Resonant Frequency Measuring Method Using Constant Voltage Circuit

■ Measuring Method Using Constant Current Circuit

The f_r measuring circuit using a constant current source is shown in Fig. 5. Resistor R_3 regulates the current passing through the piezoelectric ceramic transducer. If R_3 is much greater than the transducer's impedance, the voltmeter reading is proportional to the transducer's impedance. The frequency where the voltmeter reading is minimized is the resonant frequency f_r , and the frequency where the reading is maximized is the antiresonant frequency f_a .

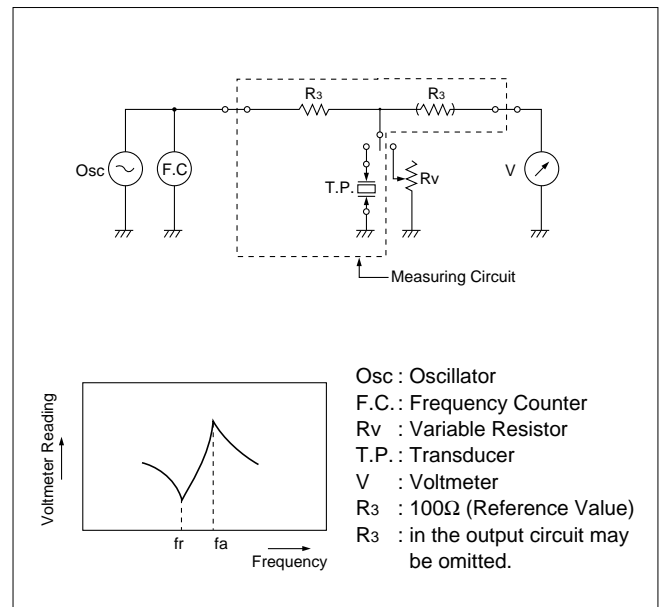


Fig. 5 Resonant Frequency Measuring Circuit Using Constant Current Circuit

2

2 Characteristics of Piezoelectric Ceramics (PIEZOTITE®)

2. Piezoelectric Material Constant Symbols

1 Frequency Constant N

The velocity of sound that propagates through a piezoelectric ceramic has a specific value in each vibration mode when the resonance of other vibration modes is not in the vicinity. For a piezoelectric ceramic with a certain shape, the relationship of wavelength λ of a vibration with propagation length ℓ at the resonant point is given by equation (4). Because the sound velocity is constant, we obtain the following equations (5) and (6):

$$\frac{\lambda}{2} = \ell \dots\dots\dots (4)$$

$$v = fr \cdot \lambda \dots\dots\dots (5)$$

$$fr \cdot \ell = \frac{v}{2} = N \text{ (Hz} \cdot \text{m)} \dots\dots\dots (6)$$

where N is the frequency constant. The frequency constant depends on the vibration mode. The resonant frequency may also be determined by the equation, $fr = N / \ell$ as shown in Fig. 2.

2 Piezoelectric Constants d and g

① Piezoelectric Distortion Constant d

Piezoelectric distortion constant is the distortion resulting from the application of an electric field of uniform strength with no stress. It is given by equation (7):

$$d = k \sqrt{\frac{\epsilon^T}{Y^E}} \text{ (m/V)} \dots\dots\dots (7)$$

where ϵ^T : Dielectric constant

Y^E : Young's modulus (N/m²)

k: Electromechanical coupling coefficient

$$d_{31} = k_{31} \sqrt{\frac{\epsilon_{33}^T}{Y_{11}^E}}, d_{33} = k_{33} \sqrt{\frac{\epsilon_{33}^T}{Y_{33}^E}}, d_{15} = k_{15} \sqrt{\frac{\epsilon_{11}^T}{Y_{44}^E}} \dots\dots\dots (8)$$

② Voltage Output Coefficient g

Voltage output coefficient refers to the field strength which results from a uniform stress applied under no electrical displacement. It is given by equation (9):

$$g = \frac{d}{\epsilon^T} \text{ (V} \cdot \text{m/N)} \dots\dots\dots (9)$$

$$g_{31} = \frac{d_{31}}{\epsilon_{33}^T}, g_{33} = \frac{d_{33}}{\epsilon_{33}^T}, g_{15} = \frac{d_{15}}{\epsilon_{11}^T} \dots\dots\dots (10)$$

Constants d and g depend on the vibration mode, and the constants in each vibration mode are given by the subscripted symbols shown in Fig. 2.

Displacements generated under an electric voltage or a voltage generated under force can be determined by constants d and g. For example, the displacement $\Delta \ell$ caused by voltage V applied across the electrodes in the lengthwise vibration mode is given by:

$$\frac{\Delta \ell}{\ell} = d_{31} \cdot \frac{\ell}{t} V \dots\dots\dots (11)$$

Conversely, the voltage V caused by force F applied along the direction of vibration is given by:

$$V = g_{31} \cdot \frac{1}{a} F \dots\dots\dots (12)$$

3 Electromechanical Coupling Coefficient k

The electromechanical coupling coefficient is a constant representing the piezoelectric efficiency of a piezoelectric ceramic. More specifically, it represents the efficiency of converting electrical energy (applied across the electrodes of a piezoelectric ceramic) into mechanical energy, and it is defined as the root mean square of the energy accumulated within the crystal in a mechanical form. This accumulated energy reflects the total electrical input.

$$\text{Electromechanical Coupling Coefficient} = \sqrt{\frac{\text{Accumulated Mechanical Energy}}{\text{Supplied Electrical Energy}}}$$

The electromechanical coupling coefficient depends on the vibration mode, as shown in Fig. 2. It is determined by the following equations using the resonant frequency fr , anti-resonant frequency fa , and their difference $\Delta f = fa - fr$.

① Radial Vibration of Disk Transducer

$$kp^2 = \frac{(1 - \sigma^E) J_1 \{ \psi_1 (1 + \Delta f / fr) \} - \psi_1 (1 + \Delta f / fr) J_0 \{ \psi_1 (1 + \Delta f / fr) \}}{(1 + \sigma^E) J \{ \psi_1 (1 + \Delta f / fr) \}} \dots\dots\dots (13)$$

where J_0, J_1 : Type 1 vessel functions of the 0th and 1st dimensions

σ^E : Poisson's ratio

ψ_1 : L_0 lowest dimension of positive root of $(1 - \sigma^E) J_1(\psi) = \psi J_0(\psi)$

If kr is relatively small, equation (13) may be approximated as follows:

$$kp^2 \approx 2.529 \cdot \frac{\Delta f}{fr} \dots\dots\dots (14)$$

② Lengthwise Vibration of Rectangular Plate Transducer

$$\frac{k_{31}^2}{1 - k_{31}^2} = -\frac{\pi}{2} \cdot \frac{fa}{fr} \cot \left(\frac{\pi}{2} \cdot \frac{fa}{fr} \right) \dots\dots\dots (15)$$

③ Longitudinal Vibration of Cylinder Transducer

$$k_{33}^2 = \frac{\pi}{2} \cdot \frac{fr}{fa} \cot \left(\frac{\pi}{2} \cdot \frac{fr}{fa} \right) \dots\dots\dots (16)$$

④ Vibration Along Thickness of Disk Transducer

$$k_t^2 = \frac{\pi}{2} \cdot \frac{fr}{fa} \cot \left(\frac{\pi}{2} \cdot \frac{fr}{fa} \right) \dots\dots\dots (17)$$

⑤ Shear Vibration of Rectangular Plate Transducer

$$k_{15}^2 = \frac{\pi}{2} \cdot \frac{fr}{fa} \cot \left(\frac{\pi}{2} \cdot \frac{fr}{fa} \right) \dots\dots\dots (18)$$

4 Mechanical Qm

Mechanical Qm gives the "steepness" of resonance of a mechanical vibration at and around the resonant frequency. It is given by the following equation:

$$Qm = \frac{1}{2 \pi fr R_1 C_f} = \frac{1}{2 \pi fr R_1 C_f \left\{ 1 - \left(\frac{fr}{fa} \right)^2 \right\}} \dots\dots\dots (19)$$

where R_1 : Resonant resistance

C_f : Free capacitance across electrodes

Characteristics of Piezoelectric Ceramics (PIEZOTITE®)

2

5 Young's Modulus Y^E

When stress T is applied to an elastic body within the proportional elastic range, strain S is given by the following formula:

$$S = s^E T$$

s^E is an elasticity constant (compliance), and Young's modulus is given as the inverse of compliance. For lengthwise vibrations shown in Fig. 3, for example, the Young's modulus is given by the following equation:

$$Y_{11}^E = (2\ell ft)^2 \cdot \rho = v^2 \cdot \rho \text{ (N/m}^2\text{)} \dots\dots\dots (20)$$

where ρ : Density (kg/m³)
 v : Sound velocity (m/s)

6 Poisson's Ratio σ^E

When a constant stress is applied to an elastic body within its proportional elastic range, Poisson's ratio is defined as follows:

$$\sigma^E = - \frac{\text{Distortion Rate Orthogonal to Stress}}{\text{Distortion Rate along Stress}}$$

7 Density ρ

Density can be determined from the volume and mass of any piezoelectric ceramic as follows:

$$\rho = \frac{m}{V} \text{ (kg / m}^3\text{)} \dots\dots\dots (21)$$

where m : Mass (kg)
 V : Volume (m³)

8 Relative Dielectric Constant $\frac{\epsilon^T}{\epsilon_0}$

Dielectric constant is an electrical displacement which results when a unity electric field is applied under no stress. It is given by the following formula:

$$D = \epsilon^T \cdot E$$

where E : Field strength
 D : Electrical displacement
 ϵ^T : Dielectric constant

Dielectric constant ϵ^T divided by the dielectric constant in a vacuum ϵ_0 ($=8.854 \times 10^{-12} \text{F/m}$) is called the relative dielectric constant. For the lengthwise vibration mode shown in Fig. 2, if the free capacitance across the electrodes at 1 kHz is assumed to be C_f , the relative dielectric constant for an electric field in the same direction of polarization is given by the equation:

$$\frac{\epsilon_{33}^T}{\epsilon_0} = \frac{C_f \cdot t}{\ell \cdot a \cdot \epsilon_0} \dots\dots\dots (22)$$

For the vibration along thickness shown in Fig. 2, if the free capacitance across the electrodes at 1 kHz is assumed to be C_f , the relative dielectric constant for an electric field orthogonal to the direction of polarization is given by this equation:

$$\frac{\epsilon_{11}^T}{\epsilon_0} = \frac{C_f \cdot t}{\ell \cdot a \cdot \epsilon_0} \dots\dots\dots (23)$$

9 Curie Temperature T_c

Curie temperature refers to the critical temperature at which crystals in the piezoelectric ceramic lose their spontaneous polarization and hence their piezoelectric property. It is defined as the temperature at which the dielectric constant is maximized when the temperature is increased.

10 Coercive Field E_c

Ferroelectric materials have a domain structure, as shown in Fig. 1. The dipole moment in each domain is oriented in the same direction and causes spontaneous polarization. If a varying electric field E is applied to it, the overall variation of polarization draws a hysteresis loop, as shown in Fig. 6. Once the material has an electric field applied to it, it does not return to the original domain structure when the electric field is removed, resulting in remanent polarization P_r . To cancel P_r , a certain strength of reverse electric field must be applied. The field strength E_c required to cancel the remanent polarization is called a coercive field.

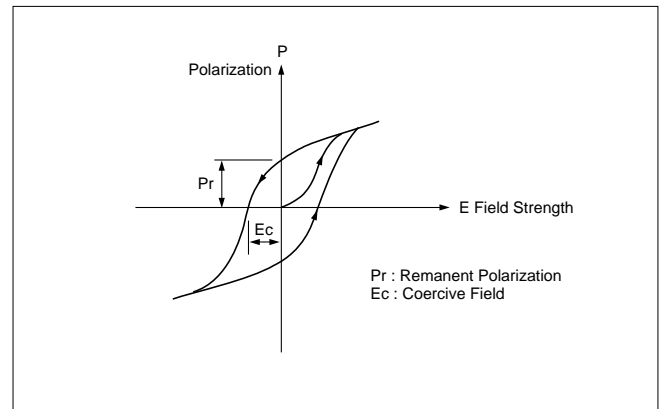


Fig. 6 Hysteresis Curve of a Ferroelectric Material

2

3 Murata's Piezoelectric Ceramics (PIEZOTITE®) Materials

1. Characteristics of Typical Materials

Table 1 shows the characteristics of typical Murata's piezoelectric ceramic materials.

Item	Symbol (Unit)	P- 3	P- 5C	P- 5E	P- 6C	P- 6E	P- 6F	P- 7	P- 7B
Relative Dielectric Constant	$\epsilon_{11}^T/\epsilon_0$	—	1230	1490	760	1260	1670	1930	3200
	$\epsilon_{33}^T/\epsilon_0$	1070	1550	1510	800	1380	1780	2100	4720
Loss Coefficient	$\tan \delta$ (%)	0.5	0.3	0.4	1.0	1.4	1.2	1.4	2.2
Electro-mechanical Coupling Factor	k_p Radial (%)	22	56	56	39	46	57	65	65
	k_{31} Length (%)	15	32	32	21	26	32	38	36
	k_{33} Longitudinal (%)	44	54	62	50	60	65	71	68
	k_t Thickness (%)	36	42	45	43	44	48	51	47
	k_{15} Shear (%)	—	50	60	47	53	61	66	57
Piezoelectric Constant	d_{31} (10^{-12}m/V)	-44	-131	-131	-3	-94	-148	-207	-303
	d_{33} (10^{-12}m/V)	133	225	271	135	235	311	410	603
	d_{15} (10^{-12}m/V)	—	294	400	196	309	431	550	592
	g_{31} ($10^{-3}\text{V}\cdot\text{m/N}$)	-5	-10	-10	-8	-8	-9	-11	-7
	g_{33} ($10^{-3}\text{V}\cdot\text{m/N}$)	14	16	20	19	19	20	22	14
	g_{15} ($10^{-3}\text{V}\cdot\text{m/N}$)	—	27	30	29	28	29	32	21
Frequency Constant	N_p Radial (%)	3140	1920	2250	2520	2410	2210	2050	1960
	N_{31} Length (%)	2270	1580	1610	1850	1730	1540	1430	1370
	N_{33} Longitudinal (%)	2210	1670	1550	1820	1670	1540	1400	1350
	N_t Thickness (%)	2590	2180	2060	2130	2110	2060	2000	1970
	N_{15} Shear (%)	—	1020	1010	1150	1080	1000	930	930
Mechanical Q	Q_m	720	2070	970	680	410	110	80	70
Elastic Constant	S_{11}^E ($10^{-12}\text{m}^2/\text{N}$)	8.7	12.6	12.4	9.4	11.1	13.4	15.8	16.7
	S_{12}^E ($10^{-12}\text{m}^2/\text{N}$)	-2.6	-4.7	-4.1	-3.0	-3.6	-4.8	-5.7	-5.9
	S_{13}^E ($10^{-12}\text{m}^2/\text{N}$)	-2.9	-5.3	-5.2	-3.0	-4.3	-5.4	-7.0	-7.5
	S_{33}^E ($10^{-12}\text{m}^2/\text{N}$)	9.6	12.8	14.3	10.3	12.7	14.5	18.1	18.8
	S_{44}^E ($10^{-12}\text{m}^2/\text{N}$)	—	31.6	34.0	25.6	30.0	34.2	40.6	38.8
	S_{66}^E ($10^{-12}\text{m}^2/\text{N}$)	22.7	34.6	33.0	24.8	29.3	36.5	43.0	45.4
	Y_{11}^E (10^{10}N/m^2)	11.5	8.0	8.1	10.7	9.0	7.5	6.3	6.7
Poisson's Ratio	σ^E	0.30	0.37	0.33	0.32	0.33	0.36	0.36	0.36
Density	ρ (10^3kg/m^3)	5.6	8.0	7.8	7.7	7.6	7.9	7.8	8.0
Temperature Coefficient	TK(fr) (ppm/°C)	—	324	115	10	35	38	59	336
	TK(Cf) (ppm/°C)	—	1500	3500	2500	3000	—	4500	13500
Curie Temperature	T_c (°C)	120	360	280	320	270	280	300	180
Linear Expansion Ratio	α ($10^{-6}/\text{°C}$)	5	2	4	2	3	4	2	2
Bending Strength	τ (10^6N/m^2)	113	101	113	125	116	103	99	85
Compressive Strength	K_{1c} ($10^6\text{N/m}^{1.5}$)	—	0.7	1.1	1.3	1.2	0.9	0.8	0.9
Applications		Fish finders sonars	Ultrasonic cleaners Actuators for high power		Knock sensors	Sensors		Ultrasonic-sensors Pickups Actuators Acoustic-application	Actuators Acoustic-application

Note: This table shows typical values measured on standard test piece. Q_m , TK (fr) and TK (Cf) are measured for radial vibration mode.

Table 1 Characteristics of Murata's Typical Piezoelectric Ceramics (PIEZOTITE®)

Murata's Piezoelectric Ceramics (PIEZOTITE®) Materials 3

2. Features of PIEZOTITE® Materials

Table 2 shows the features of PIEZOTITE® materials. Murata's piezoelectric ceramics include two types: barium titanate (BaTiO₃) and lead zirconate titanate

(PbTiO₃,PbZrO₃). Materials using lead zirconate titanate are available with different properties suitable for different applications.

Type	Type Number	Features
Barium Titanate	P-3	The major constituent of P-3 is barium titanate, with titanate additives to improve the characteristics at room temperature. While it has a lower electromechanical coupling coefficient and Curie temperature compared to Lead Zirconate Titanate, it is practical in underwater applications and has the advantage of economy. With these features, P-3 is best suited for use in fish finders or sonar.
Lead Zirconate Titanate	P-5E	Featuring a large electromechanical-coupling coefficient, mechanical Qm and minimal aging, P-5 is widely used for ultrasonic cleaners, high-power ultrasonic transducers, and other acoustic power applications.
	P-6C	Features superior temperature characteristics of resonant frequency and minimal aging. P-6 is often used in ceramic filters, ceramic resonators requiring high stability.
	P-7	Features large electromechanical coupling coefficient, constant d and small mechanical Qm. P-7 has applications in piezoelectric buzzers, ultrasonic sensors, and other applications requiring non-resonance or broad bandwidth.

Table 2 Features of Piezoelectric Ceramics

3. Temperature Characteristics and Aging

Fig. 7 shows examples of temperature characteristics of various materials.

Fig. 8 shows examples of aging characteristics of various materials. These examples show small aging characteristics.

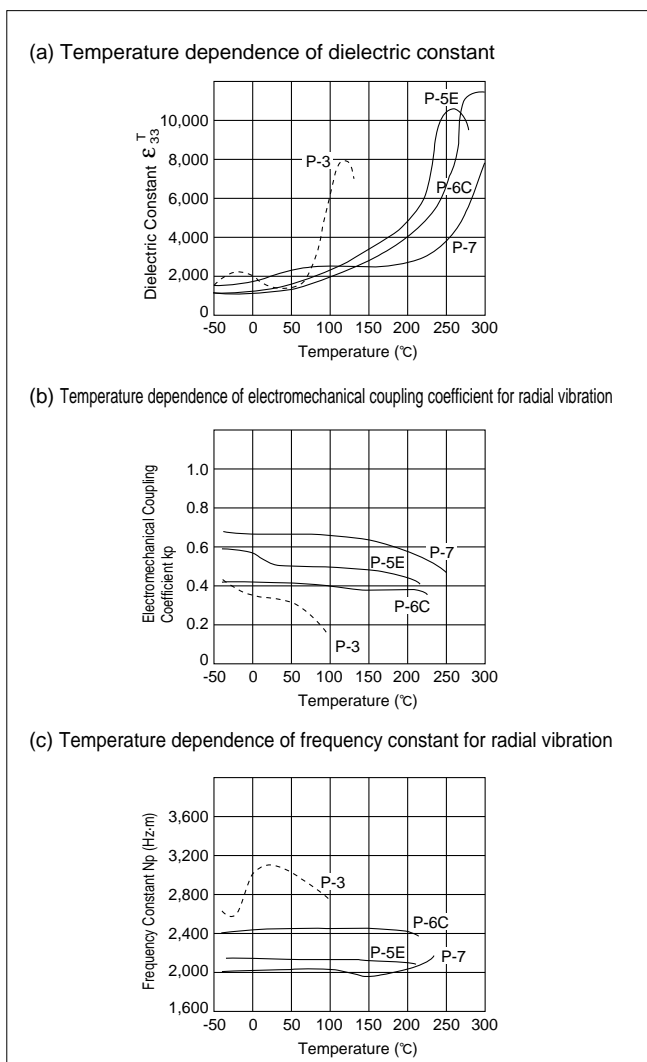


Fig. 7 Temperature Characteristics of Various Materials

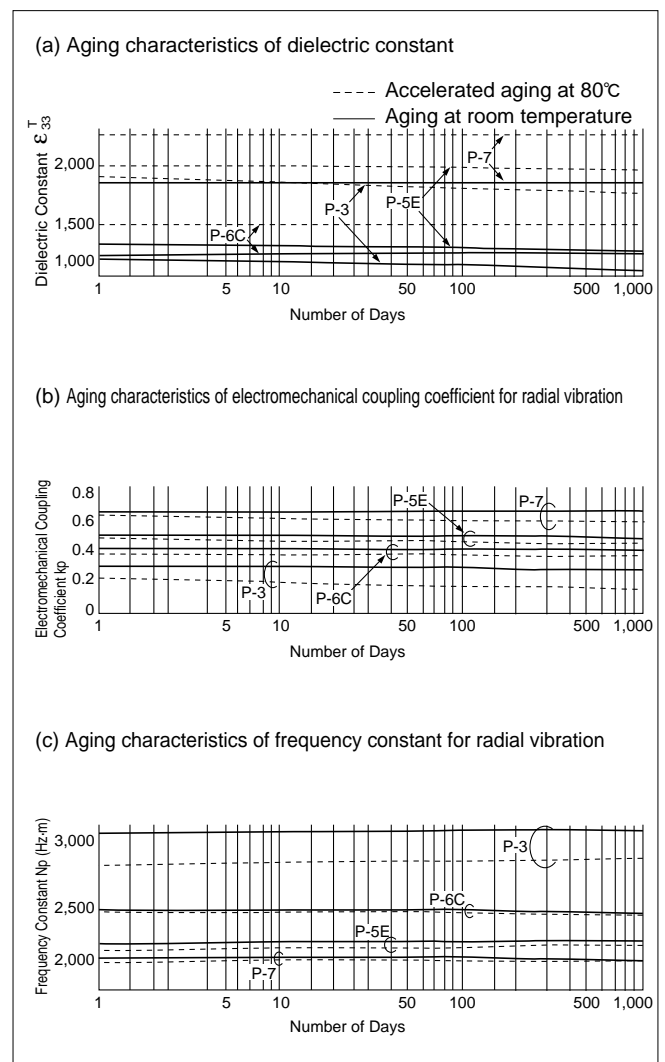
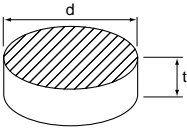
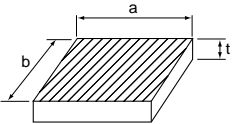
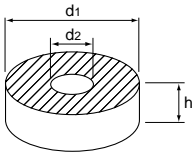


Fig. 8 Aging Characteristics of Various Materials

4 Murata's Piezoelectric Ceramics Resonators (PIEZOTITE®)

1. Shapes

PIEZOTITE® by Murata is available in various forms as shown in Fig. 9.

Shape	Diagram	Vibration Mode	Part Numbering (Ex.)						
Disk		Radial Thickness	<table border="1"> <tr> <td>7</td> <td>D</td> <td>-15</td> <td>-5400</td> </tr> </table> <p>① ② ③ ④ ① Indicates material P-7 ② Indicates disk cylinder ③ Diameter d (mm) ④ Resonant frequency (thickness mode) (kHz)</p>	7	D	-15	-5400		
7	D	-15	-5400						
Rectangular Plate		Thickness Length	<table border="1"> <tr> <td>7</td> <td>R</td> <td>-34</td> <td>-23</td> <td>-6700</td> <td>-1</td> </tr> </table> <p>① ② ③ ④ ⑤ ⑥ ① Indicates material P-7 ② Indicates rectangular plate or pillar ③ Length a (mm) ④ Width b (mm) ⑤ Resonant frequency (thickness mode) (kHz) ⑥ Product ID</p>	7	R	-34	-23	-6700	-1
7	R	-34	-23	-6700	-1				
Ring		Thickness	<table border="1"> <tr> <td>6C</td> <td>C</td> <td>-10</td> <td>-3R9</td> <td>-1000</td> </tr> </table> <p>① ② ③ ④ ⑤ ① Indicates material P-6C ② Indicates ring ③ Outer diameter d1 (mm) ④ Inner diameter d2 (mm) ⑤ Resonant frequency (thickness mode) (kHz)</p>	6C	C	-10	-3R9	-1000	
6C	C	-10	-3R9	-1000					

The capital letter "R" expresses significant digits.

Fig. 9 Shapes of Murata's Piezoelectric Ceramics PIEZOTITE®

2. Standard Specification Models

Table 3 shows standard specifications of PIEZOTITE® models.

	Part Number	Dimensions (mm)	Resonant Frequency (kHz)	Coupling Coefficient (%)	Capacitance (pF)
Disks	7D-10-9000-2	∅10X0.2t	200 (Radial mode)	55 (kp)	5200
	7D-15-5400	∅15X0.4t	137 (Radial mode)	55 (kp)	7200
	7D-25-1600	∅25.5X1.27t	80 (Radial mode)	45 (kp)	6300
Rectangular Plates	7R-34-23-2500	33.3LX22.8WX0.8t	68 (Length mode)	50 (kp)	16000
	7R-34-23-4000-1	33.3LX22.8WX0.5t	42 (Length mode)	20 (kp)	26000
	7R-34-23-6700	32.8LX22.3WX0.3t	42 (Length mode)	20 (kp)	42000
Rings	6CC-21-15-700	∅21.1X∅15X2.85t	66 (Radial mode)	18 (kp)	450
	6CC-10-3R9-1000	∅10X∅3.9X2.1t	180 (Radial mode)	20 (kp)	230

Table 3 Standard Specifications of PIEZOTITE® Models

3. Notice

Do not touch the component with bare hand because electrode may be damaged.

5 Piezoelectric Ceramic (PIEZOTITE®) Applications

Piezoelectric ceramics transform electrical energy into mechanical energy and vice versa. Fig. 10 shows our PIEZOTITE® in applications which utilize this basic function of piezoelectric ceramics as an electrical-mechanical energy transducer.

In addition to the current line of products, Fig. 10 also lists some prototypes still under development (*1). Please consult

us concerning custom specifications and production of these new products. The application products are shown in □, which are explained in detail on the following pages. For other products not shown in Fig. 10, please contact us. Items marked with an asterisk (*1) in Fig. 10 are available with individual catalogs and application manuals. For more details, refer to those related materials.

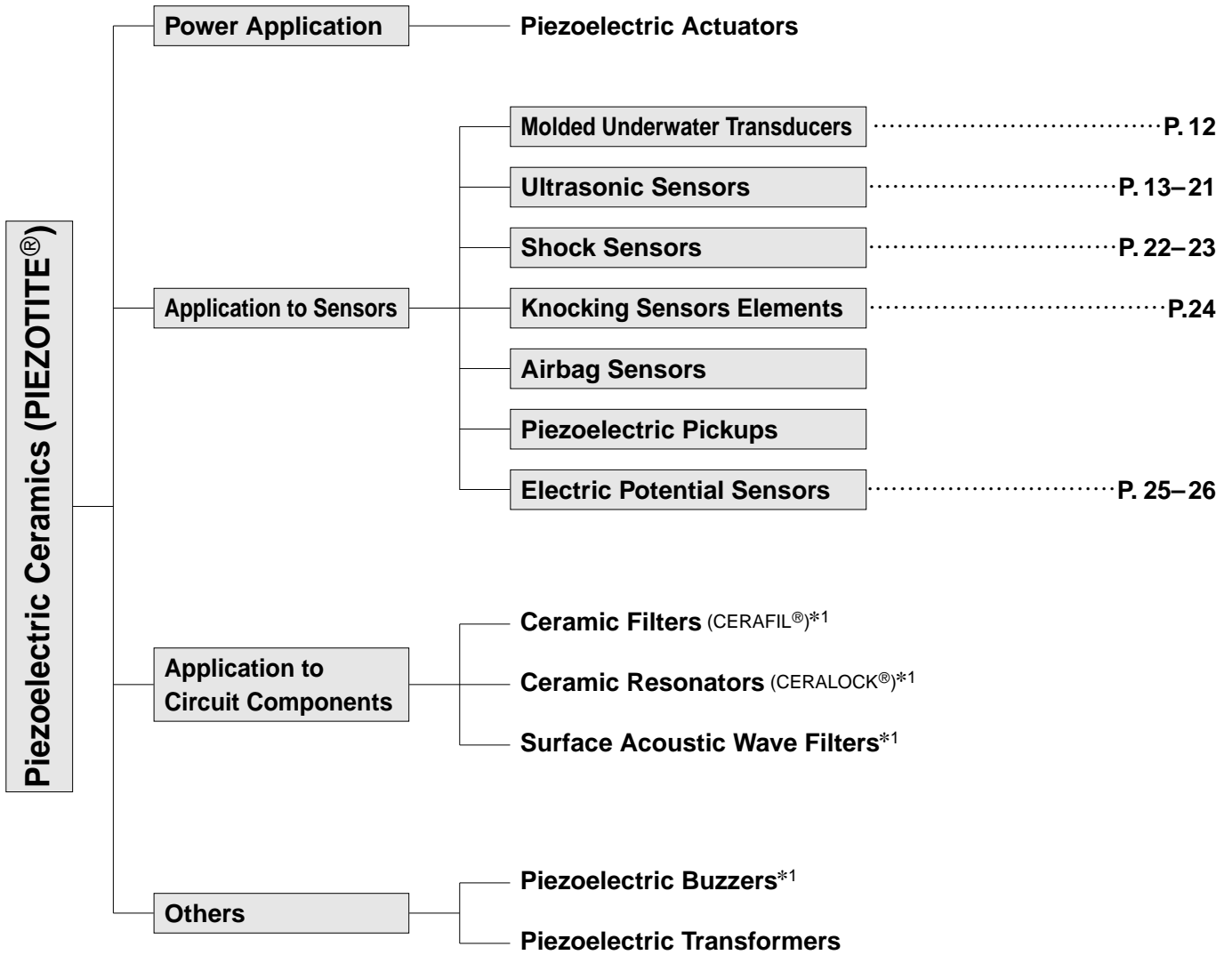


Fig. 10 Piezoelectric Ceramics (PIEZOTITE®) Applications

Piezoelectric Ceramic Sensors (PIEZOTITE®)



Molded Underwater Transducer

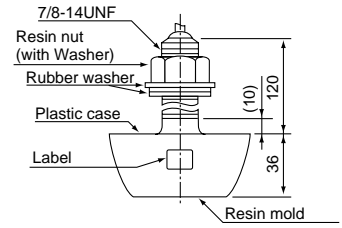
The molded underwater transducer is often used in fish finders and depth sounders. It emits an ultrasonic wave into the water so that the appropriate receiving device can detect the reflected wave in order to locate fish or determine depth. Designed specifically for underwater use, this vibrator features not only high sensitivity but superior waterproof performance. The rugged design easily gives excellent performance even under high water pressure and waves.

■ Features

1. Unique mold technique using rubber, urethane, epoxy resin and other materials assures high sensitivity and dependability.
2. Many models are available for different driving frequencies, allowable input powers, and shapes.



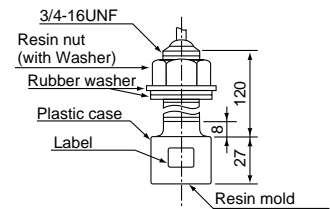
LF type
(UT200LF8)



(in mm)



BA type
(UT200BA8)



(in mm)

Part Number	Resonant Frequency (kHz)	Capacitance (pF)	Resonant Impedance (Ω)	Directivity (deg)	Allowable Input Power (W)
UT200BA8	200	1700	310 - 590	22	50
UT200LF8	200	2700	230 - 430	12	200

Wire length is 8m.

Directivity: The degree when sound pressure level is 6 dB down compared with the value at 0 degree.

Allowable input power: Denotes the instantaneous input power applied to Molded underwater transducer driven underwater. The driving duty ratio is assumed to be 1/200 (the values in the table above are guidelines).

■ Notice

1. Pay close attention to directional characteristics when mounting.
2. Please avoid applying DC-bias by connecting DC- blocking capacitor or other methods. Because if DC-bias is added, the component may be damaged.
3. Do not use in the air.

Piezoelectric Ceramic Sensors (PIEZOTITE®)



Ultrasonic Sensors

Open Structure Type

■ Features

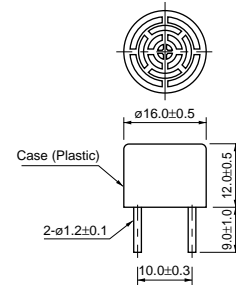
1. Compact and light weight
2. High sensitivity and sound pressure
3. Less power consumption
4. High reliability

■ Applications

Burglar alarms, Range finders, Automatic doors, Remote control



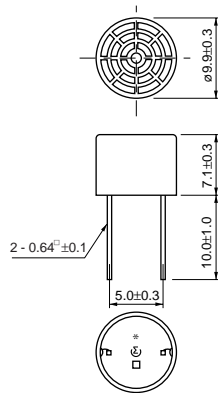
MA40B8R/S



* : EIAJ Code
□ : R or S
in mm



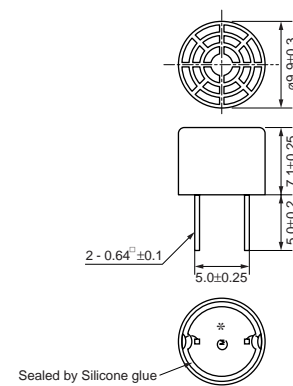
MA40S4R/S



* : EIAJ Code
□ : R or S
in mm



MA40S5



* : EIAJ Code
(in mm)

Part Number	Construction	Using Method	Nominal Freq. (kHz)	Overall Sensitivity (dB)	Sensitivity (dB)	S.P.L. (dB)	Directivity (°)	Cap. (pF)	Operating Temp. Range (°C)	Detectable Range (m)	Resolution (mm)	Max. Input Voltage (Vp-p)
MA40B8R	Open struct.	Receiver	40	-	-63 (0dB=10V/Pa)	-	50 (typ.)	2000	-30 to 85	0.2 to 6	9	-
MA40B8S	Open struct.	Transmitter	40	-	-	120 (0dB=0.02mPa)	50 (typ.)	2000	-30 to 85	0.2 to 6	9	40 Continuous signal
MA40S4R	Open struct.	Receiver	40	-	-63 (0dB=10V/Pa)	-	80 (typ.)	2550	-40 to 85	0.2 to 4	9	-
MA40S4S	Open struct.	Transmitter	40	-	-	120 (0dB=0.02mPa)	80 (typ.)	2550	-40 to 85	0.2 to 4	9	20 Continuous signal
MA40S5	Open struct.	Dual Use	40	-54 +/- 6dB 0dB=10Vpp at 30cm (from 10mVpp to 40mVpp)	-	-	60 (typ.)	2550	-30 to 85	0.5 to 2	9	20 Pulse width 0.4ms Interval 100ms

Distance: 30cm, Overall sensitivity: 0dB=10Vp-p, Sensitivity: 0dB=1Vrms/μbar, Sound pressure level: 0dB=2x10⁻⁴μbar, 1μbar=0.1Pa

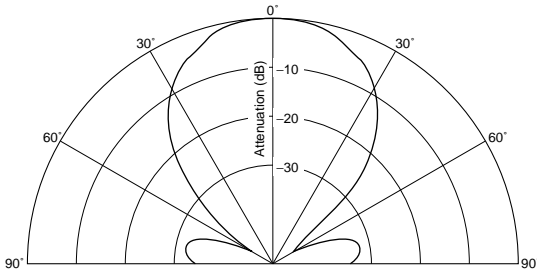
The sensor can be used in the operating temperature range.

Please refer to individual specifications for the temperature drift of Sensitivity/Sound pressure levels or environmental characteristics in that temperature range.

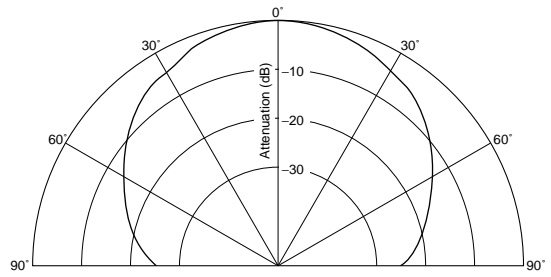
Directivity, detectable range and resolution are typical values. They can be changed by application circuit and fixing method of the sensor.

■ Directivity in Sensitivity

MA40B8R

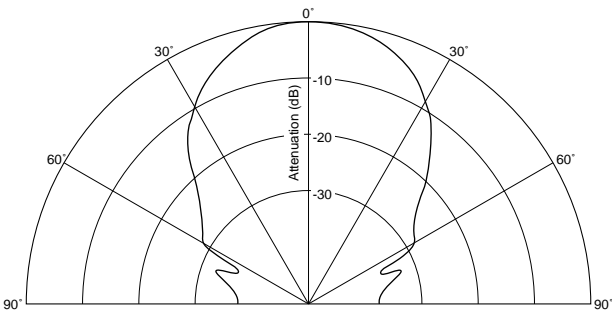


MA40S4R

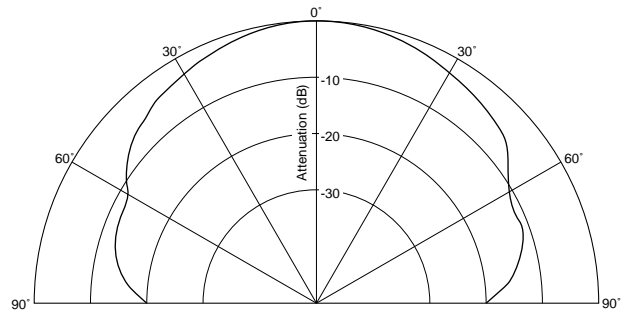


■ Directivity in S. P. L.

MA40B8S



MA40S4S

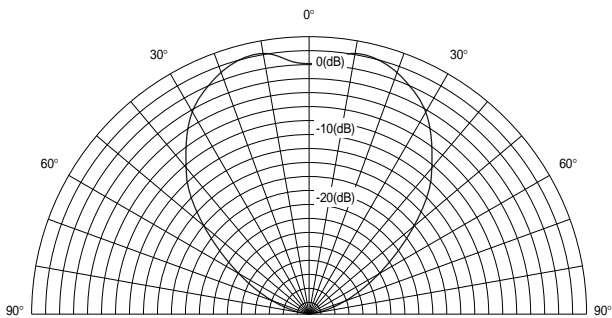


5

■ Directivity in Overall Sensitivity

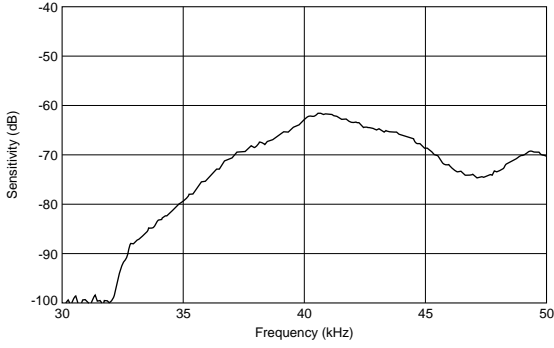
MA40S5

Beam Pattern

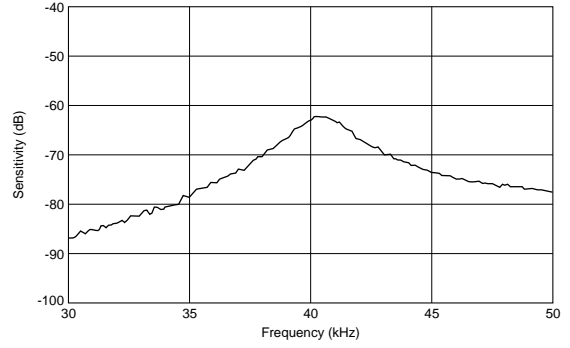


■ Sensitivity-Freq. Characteristics

MA40B8R

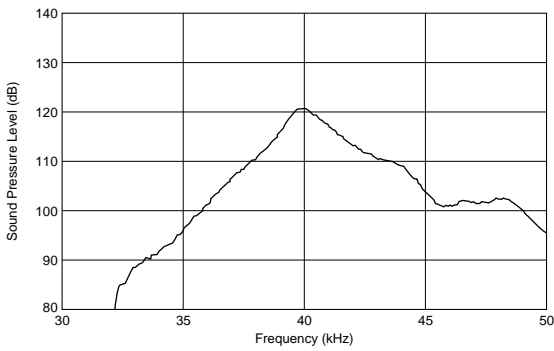


MA40S4R

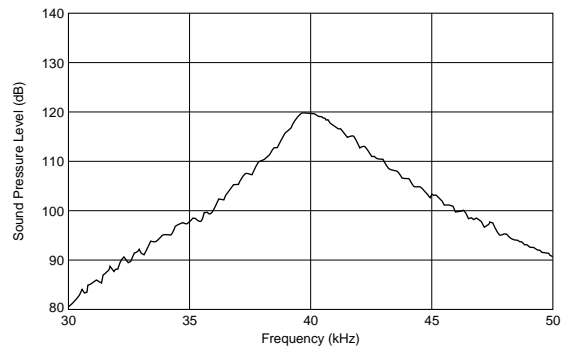


■ S. P. L. -Freq. Characteristics

MA40B8S



MA40S4S



5

Water Proof Type Symmetric Directivity

■ Features

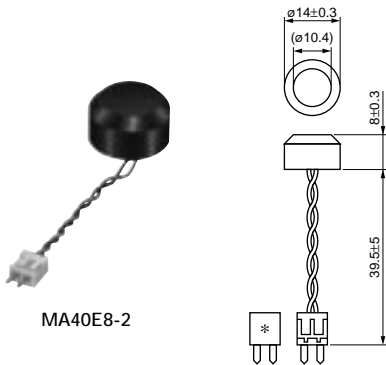
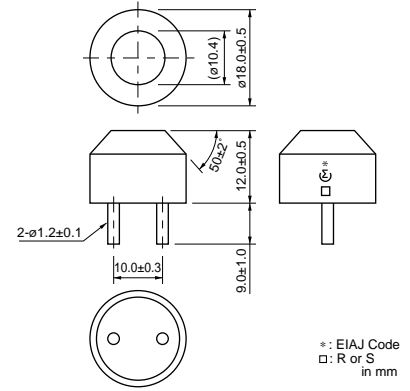
1. Compact and light weight
2. High sensitivity and sound pressure
3. Less power consumption
4. High reliability

■ Applications

Back sonar of automobiles, Parking meters, Water level meters



MA40E7R/S

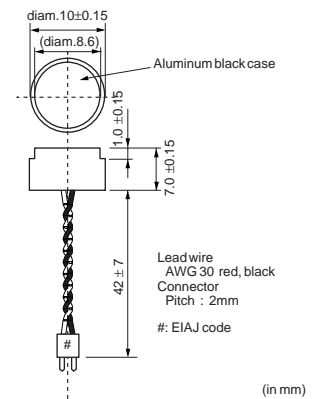


MA40E8-2

(in mm)



MA40MC10-1B



(in mm)

Part Number	Construction	Using Method	Nominal Freq. (kHz)	Overall Sensitivity	Sensitivity (dB)	S.P.L. (dB)	Directivity (°)	Cap. (pF)	Operating Temp. Range (°C)	Detectable Range (m)	Resolution (mm)	Max. Input Voltage (Vp-p)
MA40E7R	Water proof	Receiver	40	-	-74 min. (0dB=10V/Pa)	-	100 (typ.)	2200	-30 to 85	0.2 to 3	9	-
MA40E7S	Water proof	Transmitter	40	-	-	106 min. (0dB=0.02mPa)	100 (typ.)	2200	-30 to 85	0.2 to 3	9	100 Pulse width 0.4ms Interval 100ms
MA40E8-2	Water proof	Dual Use	40	-	-85 min. (0dB=10V/Pa)	106 min. (0dB=0.02mPa)	75 (typ.)	2800	-30 to 85	0.2 to 1.5	9	160 Pulse width 0.8ms Interval 60ms
MA40MC10-1B	Water proof	Dual Use	40	-	-86 min. (0dB=10V/Pa)	104 min. (0dB=0.02mPa)	100 (typ.)	2400	-40 to 85	0.2 to 1.5	9	160 Pulse width 0.8ms Interval 60ms

Distance: 30cm, Overall sensitivity: 0dB=10Vp-p, Sensitivity: 0dB=1Vrms/ μ bar, Sound pressure level: 0dB=2x10⁻⁴ μ bar, 1 μ bar=0.1Pa

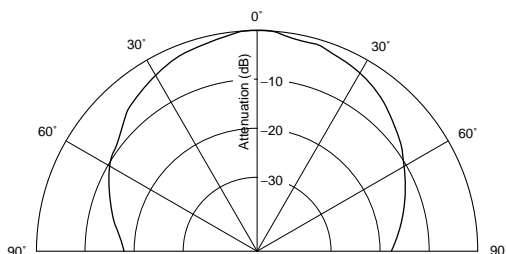
The sensor can be used in the operating temperature range.

Please refer to individual specifications for the temperature drift of Sensitivity/Sound pressure levels or environmental characteristics in that temperature range.

Directivity, detectable range and resolution are typical values. They can be changed by application circuit and fixing method of the sensor.

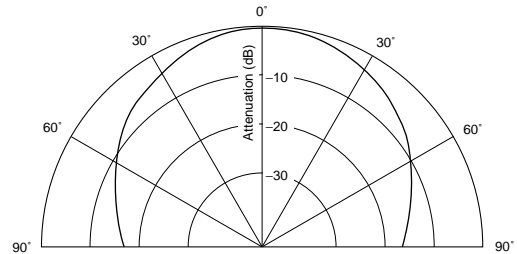
■ Directivity in Sensitivity

MA40E7R



■ Directivity in S. P. L.

MA40E7S

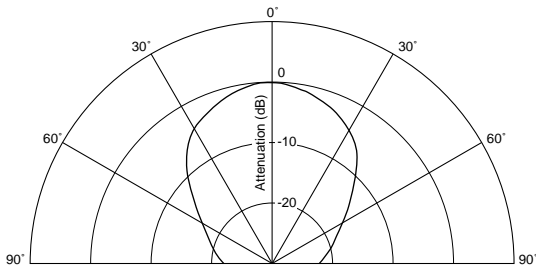


Continued on the following page. ↗

Continued from the preceding page.

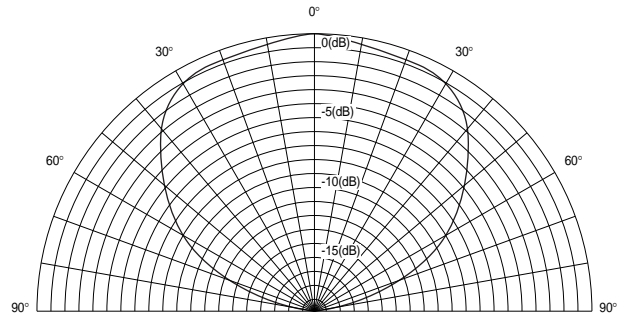
■ Directivity in Overall Sensitivity

MA40E8-2



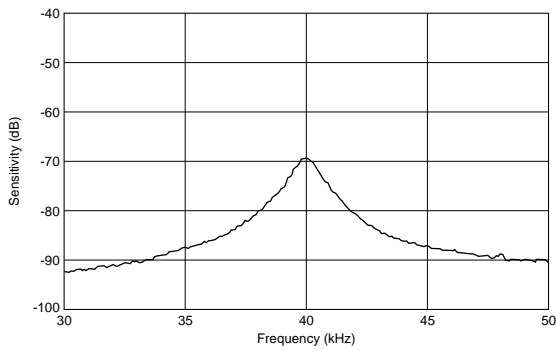
MA40MC10-1B

Beam Pattern



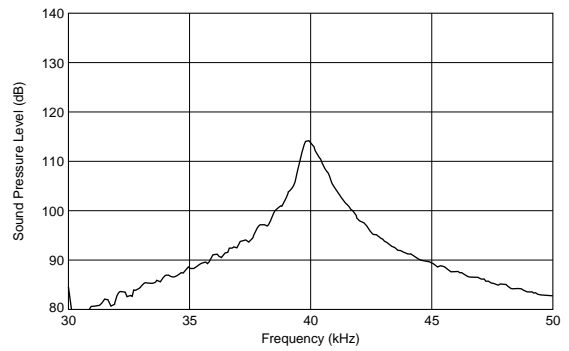
■ Sensitivity-Freq. Characteristics

MA40E7R



■ S. P. L. -Freq. Characteristics

MA40E7S



Water Proof Type Asymmetric Directivity

■ Features

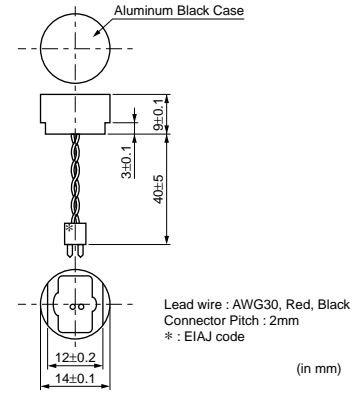
1. Compact and light weight
2. High sensitivity and sound pressure
3. Less power consumption
4. High reliability
5. Compressed directivity by itself

■ Applications

1. Back sonar of automobiles
2. Parking meters
3. Water level meters



MA40MF14-5B



Part Number	Construction	Using Method	Nominal Freq. (kHz)	Overall Sensitivity	Sensitivity (dB)	S.P.L. (dB)	Directivity (°)	Cap. (pF)	Operating Temp. Range (°C)	Detectable Range (m)	Resolution (mm)	Max. Input Voltage (Vp-p)
MA40MF14-5B	Water proof	Dual Use	40	-	-87 min. (0dB=10V/Pa)	103 min. (0dB=0.02mPa)	110 x50° (typ.)	4400	-40 to 85	0.2 to 1.5	9	160 Pulse width 0.8ms Interval 60ms

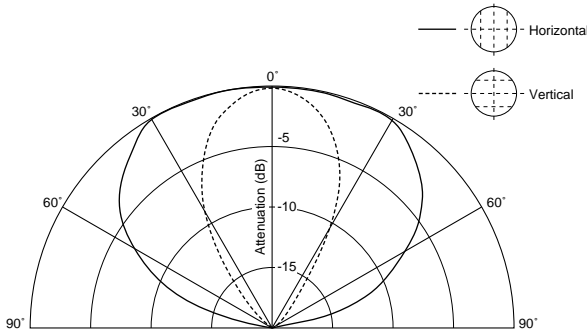
The sensor can be used in the operating temperature range.

Please refer to individual specifications for the temperature drift of Sensitivity/Sound pressure levels or environmental characteristics in that temperature range.

Directivity, detectable range and resolution are typical values. They can be changed by application circuit and fixing method of the sensor.

■ Directivity in Overall Sensitivity

MA40MF14-5B



High Frequency Type

■ Features (MA_A1)

1. Compact and light weight
2. High sensitivity and sound pressure
3. Less power consumption
4. High reliability

■ Applications

Approach switch for FA, Distance meter, Water or liquid level meters.

■ Features (MA200D1)

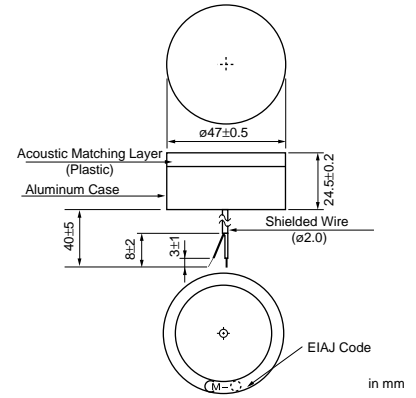
1. Short ringing time
2. Wide bandwidth & quick response
3. Stable output over operating temp. range

■ Applications

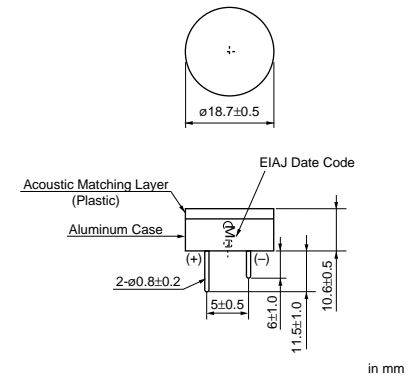
1. Proximity switch for FA and Robot
2. Distance meter
3. Double feed detection for papers or banknote



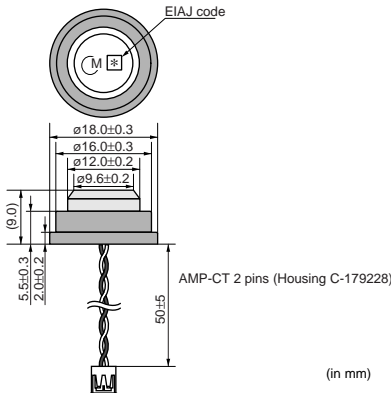
MA80A1



MA200A1



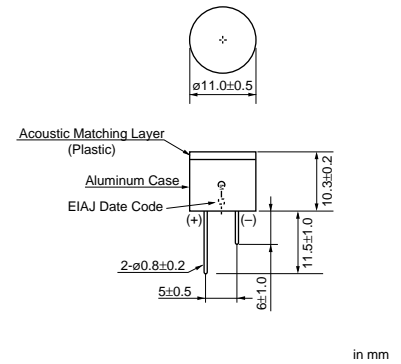
MA200D1-1



(in mm)



MA400A1



(in mm)

Part Number	Construction	Using Method	Nominal Freq. (kHz)	Overall Sensitivity (dB)	Sensitivity	S.P.L.	Directivity (°)	Cap. (pF)	Operating Temp. Range (°C)	Detectable Range (m)	Resolution (mm)	Max. Input Voltage (Vp-p)
MA80A1	High frequency type	Dual Use	75	-47 min. 0dB=18Vpp at 50cm	-	-	7 (typ.)	-	-10 to 60	0.5 to 5	4	120 Pulse width 625µs Interval 45ms
MA200A1	High frequency type	Dual Use	200	-54 min. 0dB=18Vpp at 20cm	-	-	7 (typ.)	-	-30 to 60	0.2 to 1	2	120 Pulse width 250µs Interval 20ms
MA200D1-1	High frequency type	Dual Use	220	from 1.0V to 2.5V	-	-	20 (max.)	2300	-20 to 70	0.1 to 0.3	2	50 Drive wave number: 5 cycles, Drive cycle:220Hz
MA400A1	High frequency type	Dual Use	400	-74 min. 0dB=18Vpp at 10cm	-	-	7 (typ.)	-	-30 to 60	0.06 to 0.3	1	120 Pulse width 125µs Interval 6ms

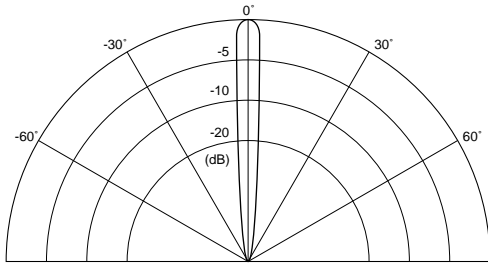
The sensor can be used in the operating temperature range.

Please refer to individual specifications for the temperature drift of Sensitivity/Sound pressure levels or environmental characteristics in that temperature range.

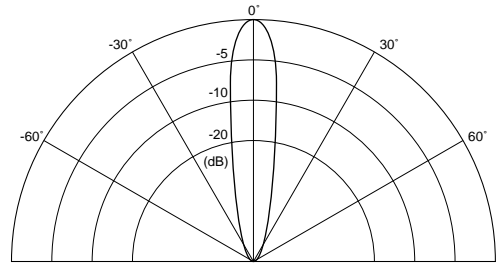
Directivity, detectable range and resolution are typical values. They can be changed by application circuit and fixing method of the sensor.

■ Directivity in Overall Sensitivity

MA_A1 Series

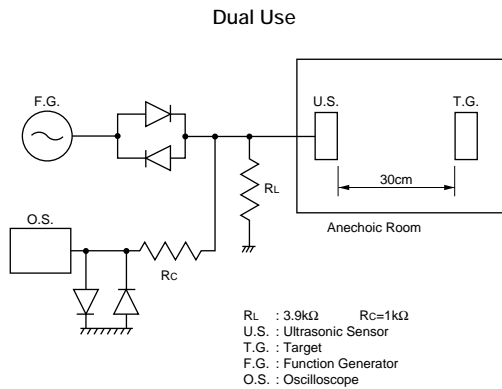
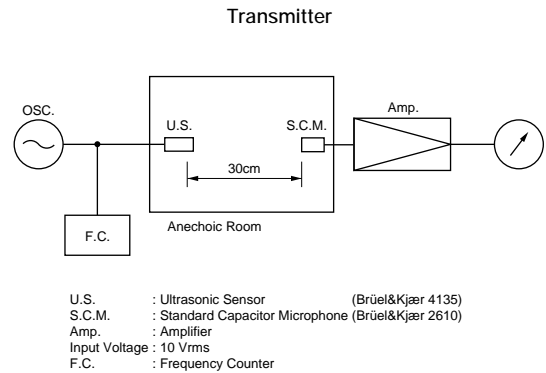
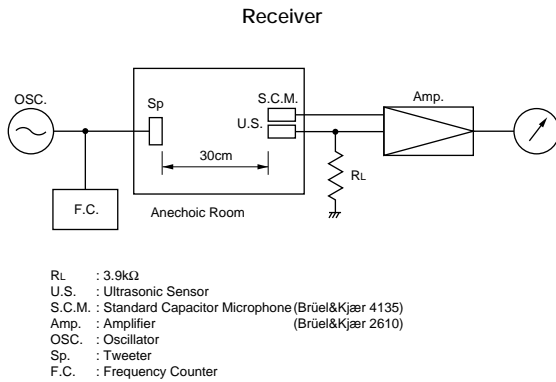


MA_D1 Series



Data/Notice/Part Numbering

■ Test Circuit



■ Notice (Soldering and Mounting)

1. Pay attention to the mounting position as these sensors have directivity.
2. Please avoid applying DC-bias by connecting DC-blocking capacitor or other methods. Because if DC-bias is added, the component may be damaged.
3. Do not use in water.

● Part Numbering

Ultrasonic Sensors

(Part Number)

MA	40MF	14	-1N	-M
----	------	----	-----	----

- ① Product ID
- ② Series
- ③ Characteristics
- ④ Individual Specification Code
- ⑤ Packaging

* "(Part Number)" shows only an example which might be different from actual part number.
 * Any other definitions than "① Product ID" might have different digit numbers from actual part number.

Piezoelectric Ceramic Sensors (PIEZOTITE®)



Shock Sensor

The piezoelectric element produces a voltage which is proportional to the acceleration of an impact or a vibration to which it is exposed. The shock sensor utilizes piezoelectric ceramics to convert the energy of impact into a proportional electrical signal. The piezoelectric shock sensor uses a "unimorph" diaphragm which consists of a piezoelectric ceramic disk laminated to a metal disk. The diaphragm is supported along its circumference in a housing. The sensor features compact, lightweight design, and is suitable for a wide range of applications requiring impact and vibration sensing.

■ Features

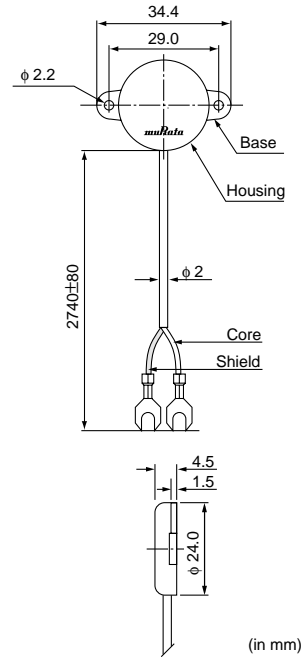
1. Compact, lightweight design
2. High sensitivity assures it picks up even microlevel impact and vibration.
3. Rugged construction survives impact and vibration stresses.
4. Requires no bias voltage.

■ Applications

1. Car burglar sensors on doors
2. Intruder sensors at windows or doors
3. Burglar alarms for showcases and safes
4. Vibration detector for equipment



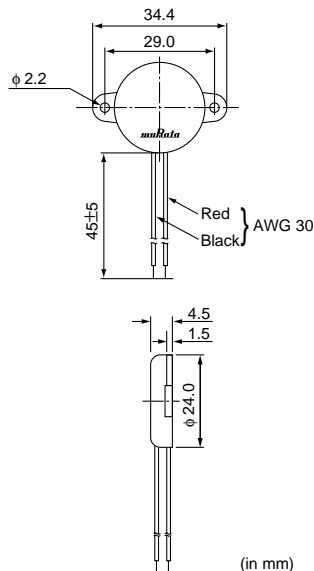
PKS1-4A1



(in mm)



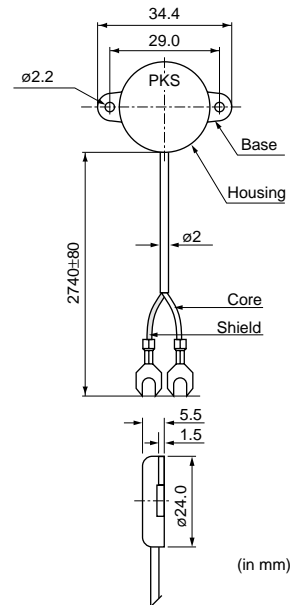
PKS1-4A10



(in mm)



PKS1-4B1



(in mm)

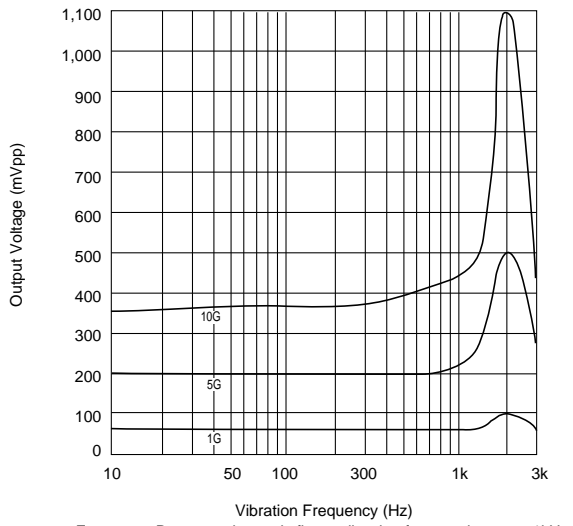
Part Number	Output Voltage	Capacitance	Insulation Resistance
PKS1-4A1	40mV _o -p/G TYP. 4.08mV _o -p/G (m/s ²) TYP. (at 25°C, 20MΩ Load, 10Hz - 1kHz)	10000pF±30%	30MΩmin. (at 100V D.C.)
PKS1-4A10		9000pF±30%	
PKS1-4B1	44mV rms ± 15% (at 25°C, 20MΩ Load, 2G, 100Hz)	10000pF±30%	

1G=9.8m/s²

Output Voltage of PKS1-4A1/PKS1-4A10 is reference value.

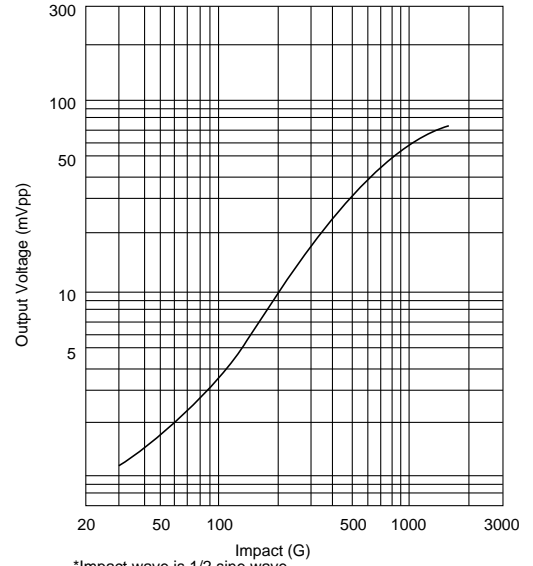
■ Characteristics Data

● Frequency Response



Frequency Response is nearly flat at vibration frequencies up to 1kHz.

● Output Voltage vs. Impact Response



*Impact wave is 1/2 sine wave.
Output voltage is nearly proportional to the acceleration of impact.

■ Notice

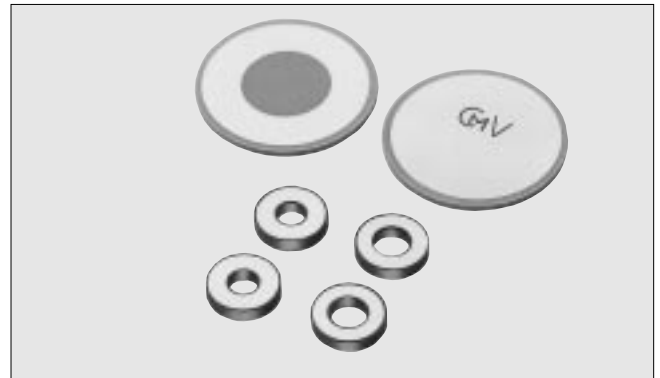
1. The component should be fixed at the place where the main axis of sensor has the same direction as the vibration axis.
2. Please avoid applying DC-bias by connecting DC- blocking capacitor or other methods. Because if DC-bias is added, the component may be damaged.

Piezoelectric Ceramic Sensors (PIEZOTITE®)



Knocking Sensor Elements

The knocking sensor senses abnormal vibrations in an automobile engine. The sensor provides a feedback signal to the engine control system to suppress the knocking. Knocking sensors include a resonant type and a non-resonant type both of which use piezoelectric elements. Murata offers highly-stable piezoelectric elements for use in knocking sensors which are directly mounted on the engine. Design emphasis is placed on heat-resistant, stress-resistant performance to ensure endurance in the harsh operation environment under the hood. Shape and dimensions are variable according to customer needs.



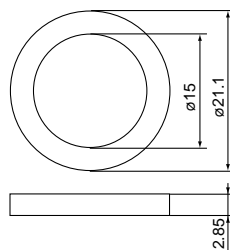
■ Features

1. Provides output voltage proportional to acceleration of vibration.
2. Flat frequency response makes these sensors applicable to any type of engine (for non-resonant type).

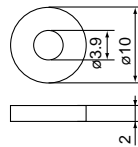
■ Applications

Knocking sensors for automobile engines.

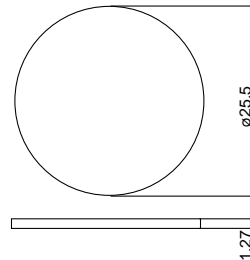
■ Dimensions (Typical value)



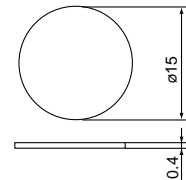
6CC-21-15-700



6CC-10-3R9-1000



7D-25-1600



7D-15-5400

(in mm)

Part Number	Resonant Frequency (kHz)	Capacitance (pF)	Electromechanical Coupling Coefficient (%)	Applications
6CC-21-15-700	66	450	18	Non-Resonant Type
6CC-10-3R9-1000	180	230	20	Non-Resonant Type
7D-25-1600	80	6300	45	Resonant Type
7D-15-5400	137	7200	55	Resonant Type

■ Notice

1. Do not touch the component with bare hand because the electrode may be damaged.
2. The component may be damaged if it is used in any application that deviates from its intended use noted within the specification.
3. Please avoid applying DC-bias by connecting DC- blocking capacitor or other methods. Because if DC-bias is added, the component may be damaged.

Piezoelectric Ceramic Sensors (PIEZOTITE®)



Electric Potential Sensors

Every object has its own surface electrical charges or charges given to it from other objects. These electrical charges cause the object to have a certain electric potential with respect to other objects. The electric potential sensor is designed to measure this surface potential.

There are two major surface potential detection methods: The field-mill method and the vibrating capacitance method.

The former method synchronously shuts off the electrical flux from the object surface and modulates the electric field incident to the sensing electrode to induce an AC current on the electrode, proportional to the surface potential (DC). The latter method forms a capacitance across the surface of the object and the sensing electrode, and vibrates the sensing electrode vertically on the surface of object to induce electrical charges which are proportional to the capacitance and surface potential, thereby obtaining an AC current proportional to the surface potential (DC).

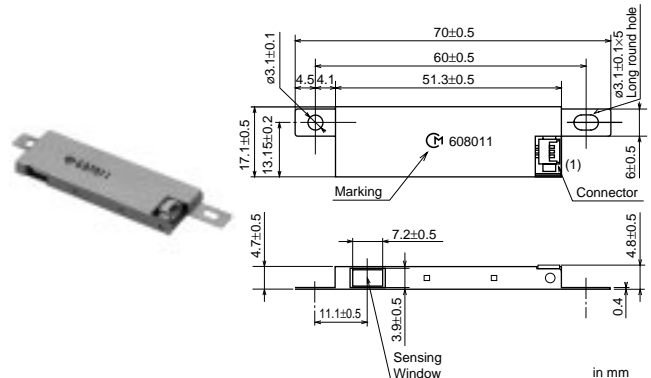
Murata's potential sensors use a high-precision, piezoelectric tuning fork with a proven production record, to achieve field shut-off vibration and electrode vibration. Integrating all of the signal processing circuit, Murata's electric potential sensor assures high operating stability and reliability.

■ Features

1. Compact, low-profile design
2. DC voltage output
3. High-precision liner output and highly stable
4. Integrates all signal processing blocks, including oscillation, amplifying and rectifying circuit.

■ Applications

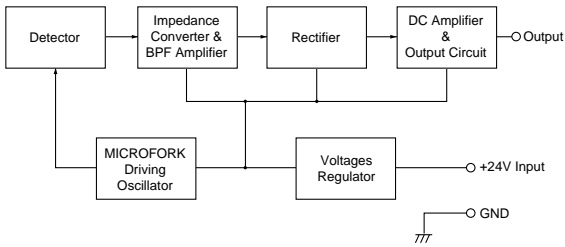
1. Sensing of surface electric potential for photosensitive drums used in PPC machines and laser beam printers
2. High voltage measurement and detection for high voltage equipment



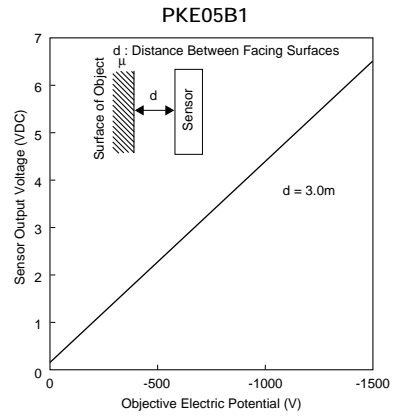
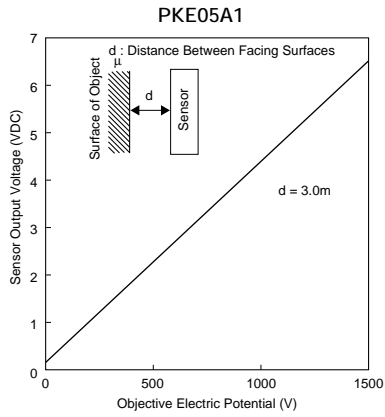
Part Number	Supply Voltage (Vdc)	Current Consumption (max.) (mA)	Min. Detectable Electric Potential (V)	Max. Detectable Electric Potential (V)	Output Voltage	Linearity (%)
PKE05A1	24 +/-10%	50	0	1500	1/240Vdc of the objective potential	+/-1.5 max.(at 50V~1500V)
PKE05B1	24 +/-10%	50	0	-1500	1/240Vdc of the objective potential	+/-1.5 max.(at -50V~-1500V)

Operation Temperature Range: 0°C to 60°C Storage Temperature Range: -30°C to 80°C
 Detection for negative electric potential is also available.

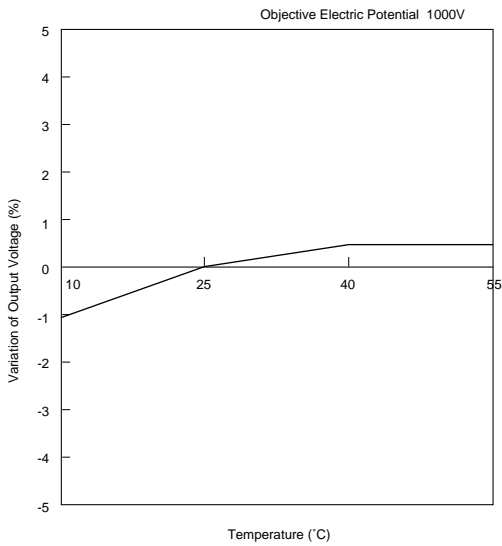
■ Circuit Configuration



■ Output Voltage-Objective Potential



■ Temperature Characteristics



■ Notice (Rating)

Usage conditions such as source voltage, temperature range mentioned in this drawing should be kept.

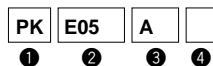
■ Notice (Handling)

1. Electro-static voltage and excessive voltage or reverse voltage may damage the sensor.
2. The sensor should be kept from excessive shock.
3. Please insure the component is thoroughly evaluated in your application circuit because the output voltage and the distance are correlated.

● Part Numbering

Electric Potential Sensors

(Part Number)



- ① Product ID
- ② Series
- ③ Characteristics
- ④ Individual Specification Code

* "(Part Number)" shows only an example which might be different from actual part number.

* Any other definitions than "① Product ID" might have different digit number from actual part number.

△Note:

1. Export Control

〈For customers outside Japan〉

No muRata products should be used or sold, through any channels, for use in the design, development, production, utilization, maintenance or operation of, or otherwise contribution to (1) any weapons (Weapons of Mass Destruction (nuclear, chemical or biological weapons or missiles) or conventional weapons) or (2) goods or systems specially designed or intended for military end-use or utilization by military end-users.

〈For customers in Japan〉

For products which are controlled items subject to the "Foreign Exchange and Foreign Trade Law" of Japan, the export license specified by the law is required for export.

2. Please contact our sales representatives or product engineers before using the products in this catalog for the applications listed below, which require especially high reliability for the prevention of defects which might directly damage a third party's life, body or property, or when one of our products is intended for use in applications other than those specified in this catalog.

- | | |
|-----------------------------|--|
| ① Aircraft equipment | ② Aerospace equipment |
| ③ Undersea equipment | ④ Power plant equipment |
| ⑤ Medical equipment | ⑥ Transportation equipment (vehicles, trains, ships, etc.) |
| ⑦ Traffic signal equipment | ⑧ Disaster prevention / crime prevention equipment |
| ⑨ Data-processing equipment | ⑩ Application of similar complexity and/or reliability requirements to the applications listed above |

3. Product specifications in this catalog are as of May 2005. They are subject to change or our products in it may be discontinued without advance notice. Please check with our sales representatives or product engineers before ordering. If there are any questions, please contact our sales representatives or product engineers.

4. Please read rating and △CAUTION (for storage, operating, rating, soldering, mounting and handling) in this catalog to prevent smoking and/or burning, etc.

5. This catalog has only typical specifications because there is no space for detailed specifications. Therefore, please approve our product specifications or transact the approval sheet for product specifications before ordering.

6. Please note that unless otherwise specified, we shall assume no responsibility whatsoever for any conflict or dispute that may occur in connection with the effect of our and/or a third party's intellectual property rights and other related rights in consideration of your use of our products and/or information described or contained in our catalogs. In this connection, no representation shall be made to the effect that any third parties are authorized to use the rights mentioned above under licenses without our consent.

7. No ozone depleting substances (ODS) under the Montreal Protocol are used in our manufacturing process.