

Filter Code: **FPF13KRG-100**

Description: Filter Kit

## MECHANICAL SPECIFICATIONS

Dimensions: **204x204x28 mm**  
 Weight: **0,275 Kg**  
 Type of material: **PC/ABS UL94V-0**  
 Colour: **RAL 7032**  
 Protection degree: **IP54 (EN60529)**  
 Fastener: **by elastic hooks**  
 Plate thickness: **from 1,5 to 2,2 mm**  
 Storage temp.: **-30°C to +75°C**  
 Electric connection: -  
 Earth connection: -

## OPERATING FEATURES

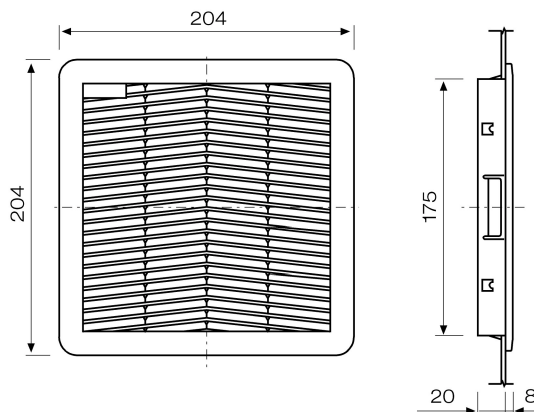
Rated voltage: -  
 Rated frequency: -  
 Rated power: -  
 Rated current: -  
 Fan speed: -  
 Noise: -  
 Operating temp.: **-30°C to +75°C**  
 Relative humidity: **100% max**  
 Life (L10) at 40°C: -

## PERFORMANCES and APPROVALS

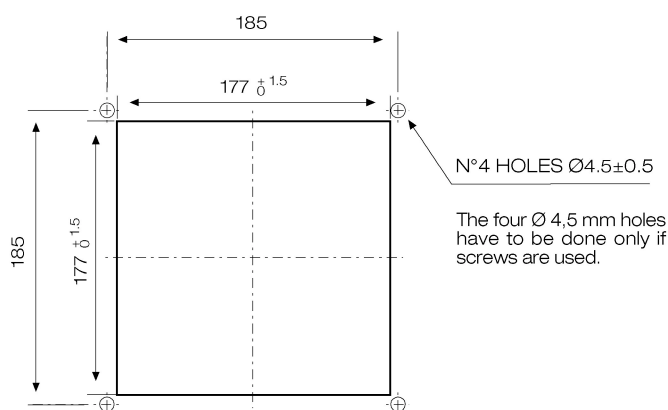
Max air flow: -  
 Max static pressure: -  
 Type of media: **P15/350S**  
 Flammability: **F1 (DIN 53438)**  
 Filtering class: **EU3 (DIN 24185)**  
 Degree of separation: **85% (DIN 24185)**  
 Degree of efficacy: **< 20% (DIN 24185)**  
 Dust storage capacity: **600 g/m<sup>2</sup>**  
 Approvals: **CE**

Note: the media is washable

## FILTER KIT DIMENSIONS [mm]



## DIMENSIONS CUT-OUT [mm]



## PERFORMANCE CURVES

