

Customer Information Sheet

DRAWING No.: M50-310XX45

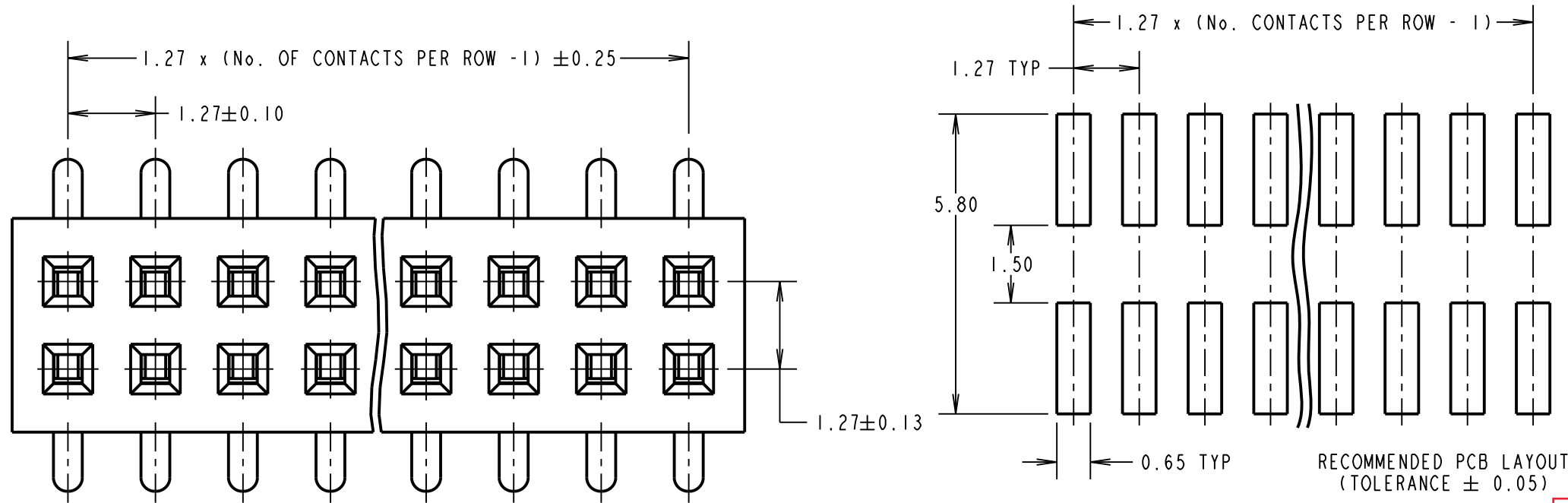
IF IN DOUBT - ASK

©

NOT TO SCALE

THIRD ANGLE PROJECTION

ALL DIMENSIONS IN mm



SPECIFICATIONS:
MATERIAL:
 MOULDING = LCP, UL94V-0, BLACK
 CONTACT = PHOSPHOR BRONZE
FINISH:
 CONTACT = GOLD FLASH OVER NICKEL
ELECTRICAL:
 VOLTAGE RATING = 250V AC/DC
 CURRENT RATING = 1A
 VOLTAGE PROOF = 300V AC, 500V DC FOR ONE MINUTE
 CONTACT RESISTANCE = 20mΩ MAX INITIAL,
 30mΩ MAX AFTER CONDITIONING
 INSULATION RESISTANCE = 1,000MΩ MIN
MECHANICAL:
 DURABILITY = 100 CYCLES
 INSERTION FORCE = 2N MAX PER CONTACT
 WITHDRAWAL FORCE = 0.15N MIN PER CONTACT
ENVIRONMENTAL:
 OPERATING TEMPERATURE = -40°C TO +105°C
PACKING:
 TUBE
 FOR COMPLETE SPECIFICATION, SEE COMPONENT SPECIFICATION C029XX (LATEST ISSUE)

Active products:

- M50-3100345
- M50-3100445
- M50-3100545
- M50-3100645
- M50-3100745
- M50-3100845
- M50-3100945
- M50-3101045
- M50-3101245
- M50-3101445
- M50-3102045
- M50-3102545
- M50-3105045

ORDER CODE:

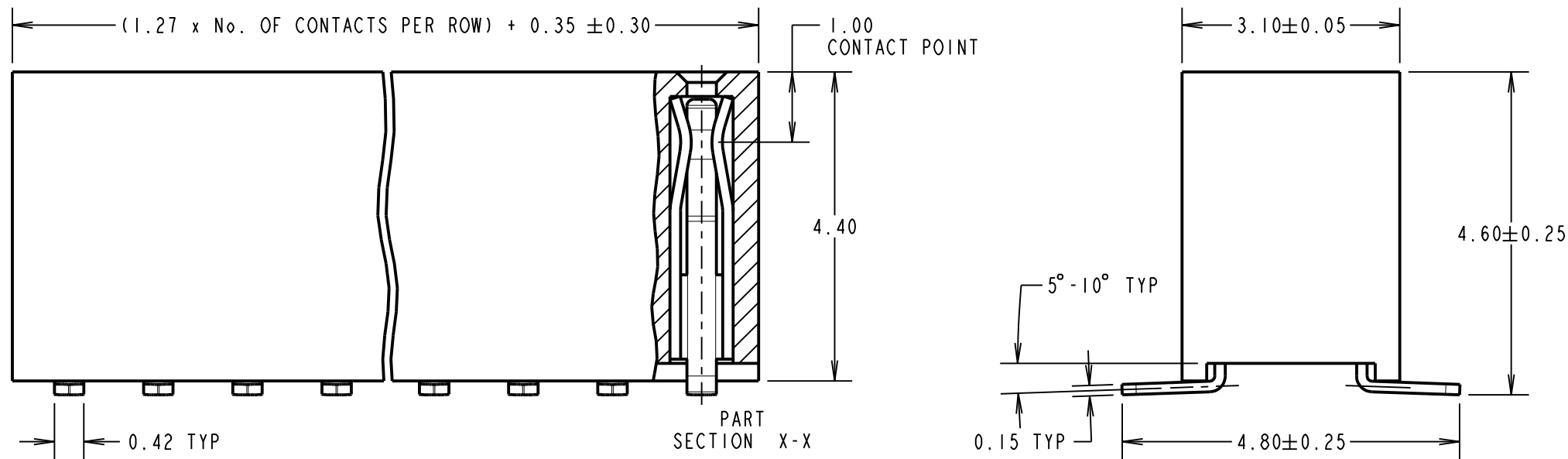
M50-310XX45

No. OF CONTACTS PER ROW: _____
 03 TO 50

FINISH: _____
 GOLD FLASH OVER NICKEL

NOTES:
 1. ALL TOLERANCES ARE ±0.12 UNLESS OTHERWISE STATED.

OBSOLETE
 All other size/finish combinations not listed above



MGP	10	28.09.21	31008
NAME	ISS.	DATE	CN/CO
APPROVED: MGP			
CHECKED: RA			
DRAWN: J.ENRIGHT			
CUSTOMER REF.:			
ASSEMBLY DRG:			

 www.harwin.com technical@harwin.com	THIS DRAWING AND ANY INFORMATION OR DESCRIPTIVE MATTER SET OUT HEREON ARE CONFIDENTIAL AND COPYRIGHT PROPERTY OF THE HARWIN GROUP AND MUST NOT BE DISCLOSED, LOANED, COPIED OR USED FOR MANUFACTURING, TENDERING OR FOR ANY OTHER PURPOSE WITHOUT THEIR WRITTEN PERMISSION.	TOLERANCES X = ±1mm X.X = ±0.50mm X.XX = ±0.20mm X.XXX = ±0.01mm ANGLES = ±5° UNLESS STATED	MATERIAL: SEE ABOVE	TITLE: 1.27mm PITCH DIL VERTICAL SMT SOCKET ASSY
		FINISH: SEE ABOVE	DRAWING NUMBER: M50-310XX45	SHT 2 OF 2

Mouser Electronics

Authorized Distributor

Click to View Pricing, Inventory, Delivery & Lifecycle Information:

Harwin:

[M50-3103345](#) [M50-3103945](#) [M50-3103145](#) [M50-3103545](#) [M50-3100945](#) [M50-3100545](#) [M50-3100345](#) [M50-3100745](#) [M50-3100645](#) [M50-3100845](#) [M50-3100445](#) [M50-3102845](#) [M50-3102045](#) [M50-3102445](#) [M50-3102245](#) [M50-3102645](#) [M50-3101645](#) [M50-3101245](#) [M50-3101045](#) [M50-3101845](#) [M50-3101445](#) [M50-3102545](#) [M50-3101345](#) [M50-3102145](#) [M50-3101745](#) [M50-3102945](#) [M50-3102745](#) [M50-3101545](#) [M50-3101945](#) [M50-3102345](#) [M50-3101145](#) [M50-3104145](#) [M50-3104945](#) [M50-3104545](#) [M50-3104345](#) [M50-3104745](#) [M50-3104645](#) [M50-3105045](#) [M50-3104245](#) [M50-3104045](#) [M50-3104845](#) [M50-3104445](#) [M50-3103245](#) [M50-3103645](#) [M50-3103445](#) [M50-3103845](#) [M50-3103045](#) [M50-3103745](#)