

**PRODUCT NUMBER**  
98424-X52-XX-XXXLF

**PLATING**

- S = 0.38µm GOLD/GXT ON CONTACT AREA  
2µm MIN MATTE TIN ON TAIL
- G = 0.76µm GOLD/GXT ON CONTACT AREA  
2µm MIN MATTE TIN ON TAIL
- F = GOLD FLASH ON CONTACT AREA  
2µm MIN MATTE TIN ON TAIL
- T = 2.0-6.0µm FULL MATTE TIN
- 1.27µm Ni MIN UNDERLAYER

- RoHS COMPATIBLE, SEE NOTE 8
- POLARIZATION (SEE NOTE 7)
- PACKAGING OPTIONAL LETTER (SEE NOTE 5)
- TOTAL NB OF POSITIONS, 04 TO 50
- COLOR OPTION NOTE 1

**NOTES:**

1. MATERIAL HOUSING: HIGH TEMP. THERMOPLASTIC UL-94VO  
- = STANDARD COLOR CREAM  
B = OPTIONAL COLOR BLACK
2. MATERIAL TERMINAL: COPPER ALLOY
3. TO DETERMINE DIMENSIONS:  
N = NUMBER OF POSITIONS PER ROW
4. 7N MIN. PIN RETENTION IN EITHER DIRECTION.

**5. PACKAGING:**

- = STANDARD PACKAGING IN POLYBAGS
- = POLYBAGS PACKAGING WHEN POLARISATION FEATURE APPLICABLE
- U = TUBE AVAILABLE FROM 08 TO 50 POS
- A = TAPE AND REEL WITH PICK UP CAP, AS AVAILABLE
- K = TAPE AND REEL WITHOUT PICK UP CAP, AS AVAILABLE.
- HK = TAPE AND REEL WITHOUT PICK UP CAP, CUSTOM WIDTH 32MM  
ONLY AVAILABLE FOR 98424-Y52-04HKLF
- C = TAPE AND REEL WITH SPECIAL LARGE CAP, ONLY FOR 98424-Y52-06CLF  
FOR ALL SPECIAL PACKAGING, FCI TO BE CONTACTED
- UV = TUBE WITHOUT PICK UP CAP FOR CUSTOMER DEDICATED PART
- AV = TAPE & REEL WITH PICK UP CAP FOR CUSTOMER DEDICATED PART
- KV = TAPE & REEL WITHOUT PICK UP CAP FOR CUSTOMER DEDICATED PART

6. DIM "C" = (N x 2) + 1.4  
EXAMPLE: N = 7  
DIM "C" = (7 x 2) + 1.4 = 15.4 mm

7. FOR POLARIZATION, SPECIFIED PIN  
EXAMPLE : A03 = ROW A, POSITION 03 TO OMIT PIN  
OMIT FROM PRODUCT NUMBER IF THIS FEATURE IS NOT APPLICABLE

**8. RoHS COMPATIBLE PRODUCT SPECIFICATIONS**

**a - PLATING:**

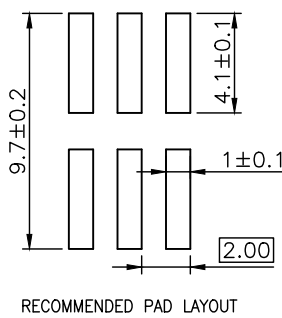
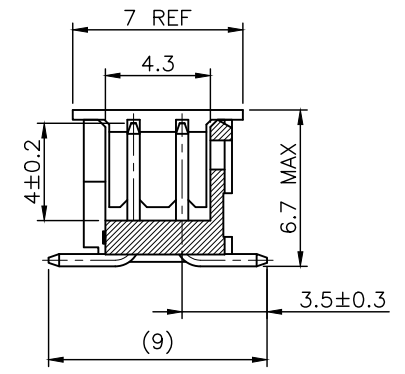
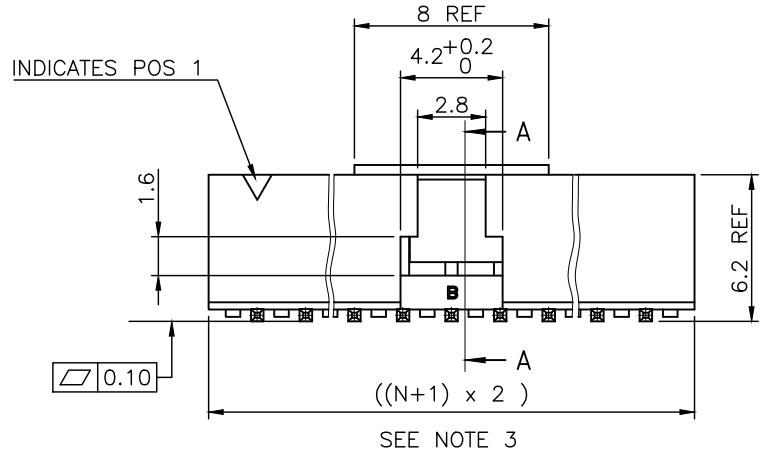
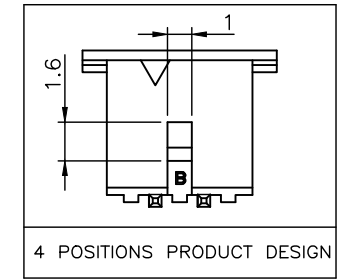
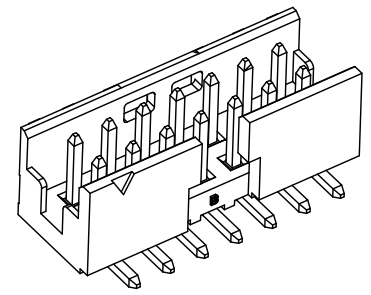
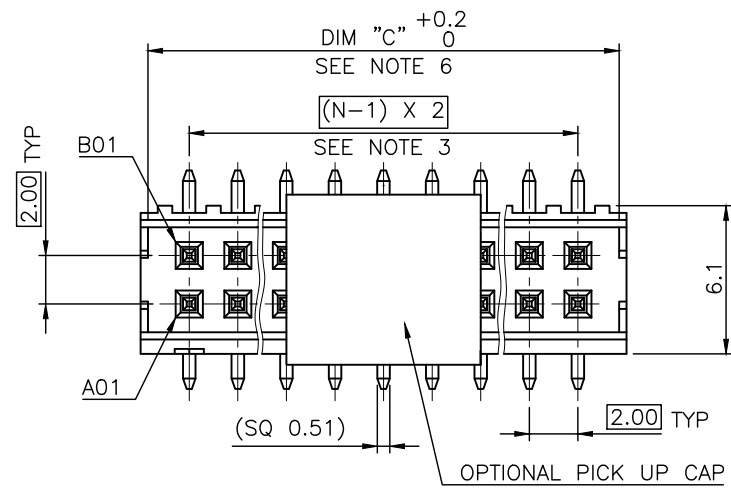
- "LF" MEANS THE PRODUCT IS LEAD-FREE,  
2µm MINIMUM MATTE TIN OVER 1.27µm  
MINIMUM NICKEL UNDERPLATE.

**b - MANUFACTURING PROCESS COMPATIBILITY**

- THE HOUSING WILL WITHSTAND EXPOSURE TO  
260°C PEAK TEMPERATURE FOR 30 SECONDES  
MAX IN A CONVECTION, INFRA-RED OR VAPOR  
PHASE OR REFLOW OVEN.

**c - LABELLING:**

- MEETS PACKAGING SPECS AS PER GS-14-920
- d - THIS PRODUCT MEETS EUROPEAN DIRECTIVES  
AND OTHER COUNTRY REGULATIONS AS DISCRIBED  
IN GS-47-0004.

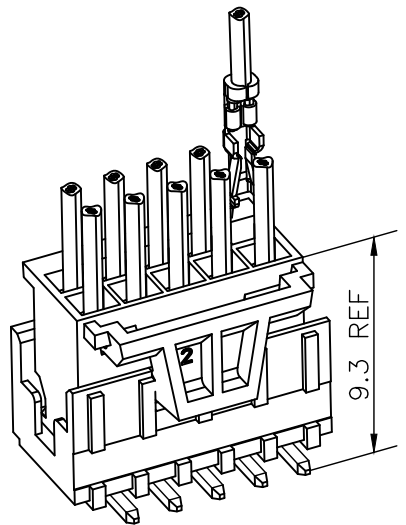
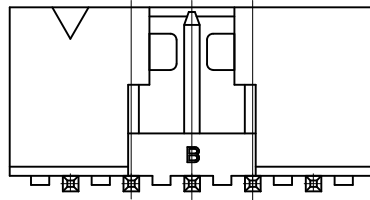
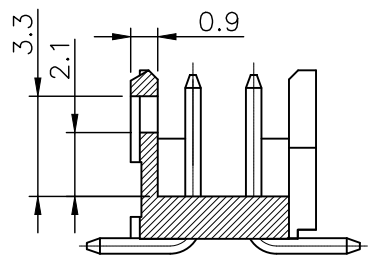
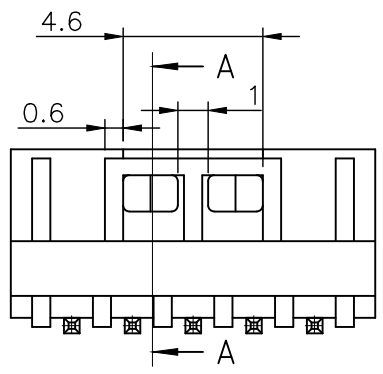
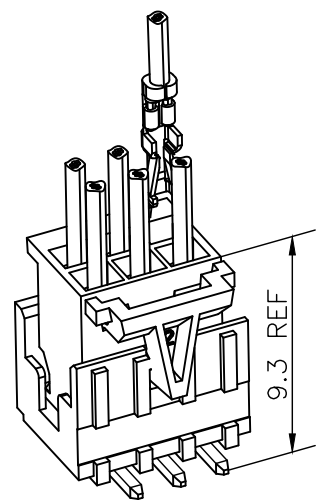
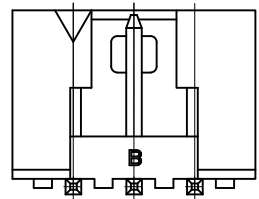
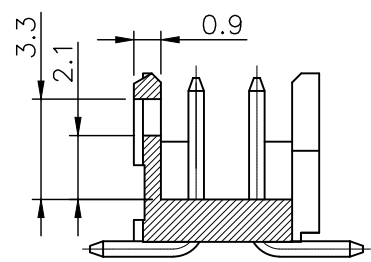
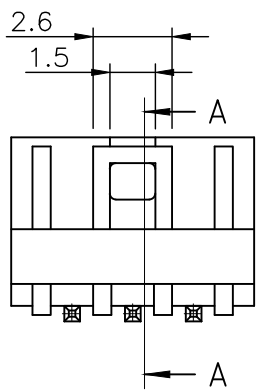


mat'l. code		surface		tolerance		projection		product family			
SEE NOTES		ISO 1302		ISO 406 ISO 101		101		MINITEK			
ltr	ecn no	dr	date	tolerances unless otherwise specified		mm		title			
W	B-26204	JCA	17.02.27	X.X ±0.3		←		SHR HEADER			
X	F-35976	DDE	20.01.24	X.XX ±0.13		←		2.00 VERTICAL SMT			
Y	F-40048	DDE	21.02.19	X.XXX ±0.05		←		scale 1:1			
				dr	L.MULIN	04.09.27			dwg no		
T	B-19797	AMA	14.12.16	engr	J.COMPAGNON	04.09.27			sheet 1 of 2		
U	B-19988	LMU	15.01.13	chr					size		
V	F-23051	AMA	16.01.15	appd	JMC	04.09.27			98424 A3		
sheet		revision		X		B				type	
index		sheet		1		2				CUSTOMER Drawing	



Copyright FCI

2x3 POS AND 2x4 POS CONFIGURATION  
NO LATCHING AVAILABLE FOR 2x2 POS



2x5 POS UP TO 2x25 POS CONFIGURATION

LATCHING FEATURES WHEN USED IN COMBINATION  
WITH ACTIVE LATCH HOUSING 10073599

mat'l. code SEE NOTES				surface ISO 1302	tolerance ISO 406 ISO 101	projection 101	product family MINITEK	
ltr	ecn no	dr	date	tolerances unless otherwise specified			title	
A	F08-0113	LMU	08.01.17	angles	linear	X.X ±0.3	SHR HEADER	
B	F-35976	DDE	20.01.24			X.XX ±0.13	2.00 VERTICAL SMT	
						X.XXX ±0.05	scale 1:1	
		dr	L.MULIN	07.11.06			dwg no	
		engr	J.COMPAGNON	07.11.06			sheet 2 of - size	
		chr					98424 A3	
		appd	JM.C	07.11.06			type	
sheet index		revision sheet					CUSTOMER Drawing	



FCIconnect.com

Copyright FCI

# Mouser Electronics

Authorized Distributor

Click to View Pricing, Inventory, Delivery & Lifecycle Information:

[FCI / Amphenol:](#)

[98424-F52B14ALF](#)