

PRODUCT DESCRIPTION CODE :

10141272-111 LF

RoHS COMPATIBLE, LEAD FREE

FOR CUSTOMER CODE :
BLANK = GENERAL USE

APPLICABLE AWG, SEE NOTE 1

PLATING :

1 = 3µm MIN MATTE TIN (CONTACT AREA)

3 = 0.76µm MIN GOLD (CONTACT AREA)

ALL OVER 1.27µm MIN Ni UNDERLAYER

NOTES

1 - APPLICABLE AWG

1- AWG #22-24

2- AWG #26-30

2 - PRODUCT SPECIFICATION : GS-12-1422

3 - APPLICATION SPECIFICATION AS PER GS-20-0513

4 - PACKAGING : 15.000 PCS/REEL

5 - RoHS COMPATIBLE PRODUCT SPECIFICATIONS

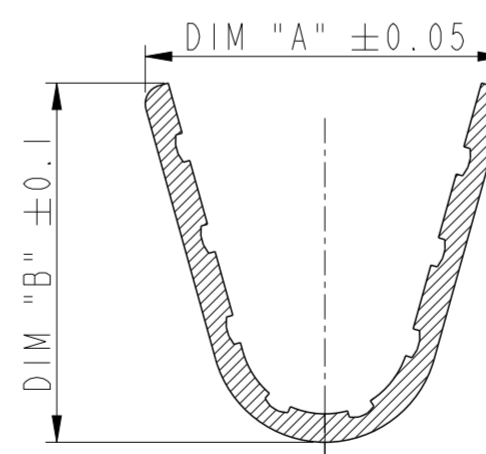
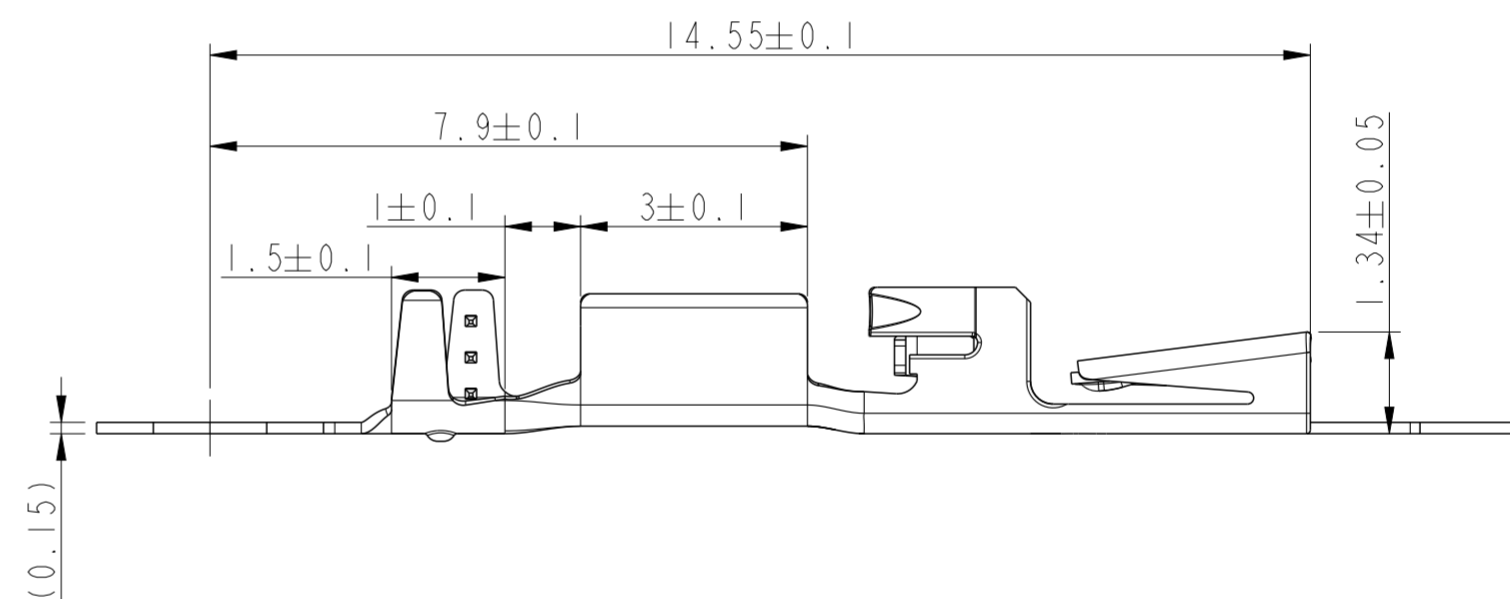
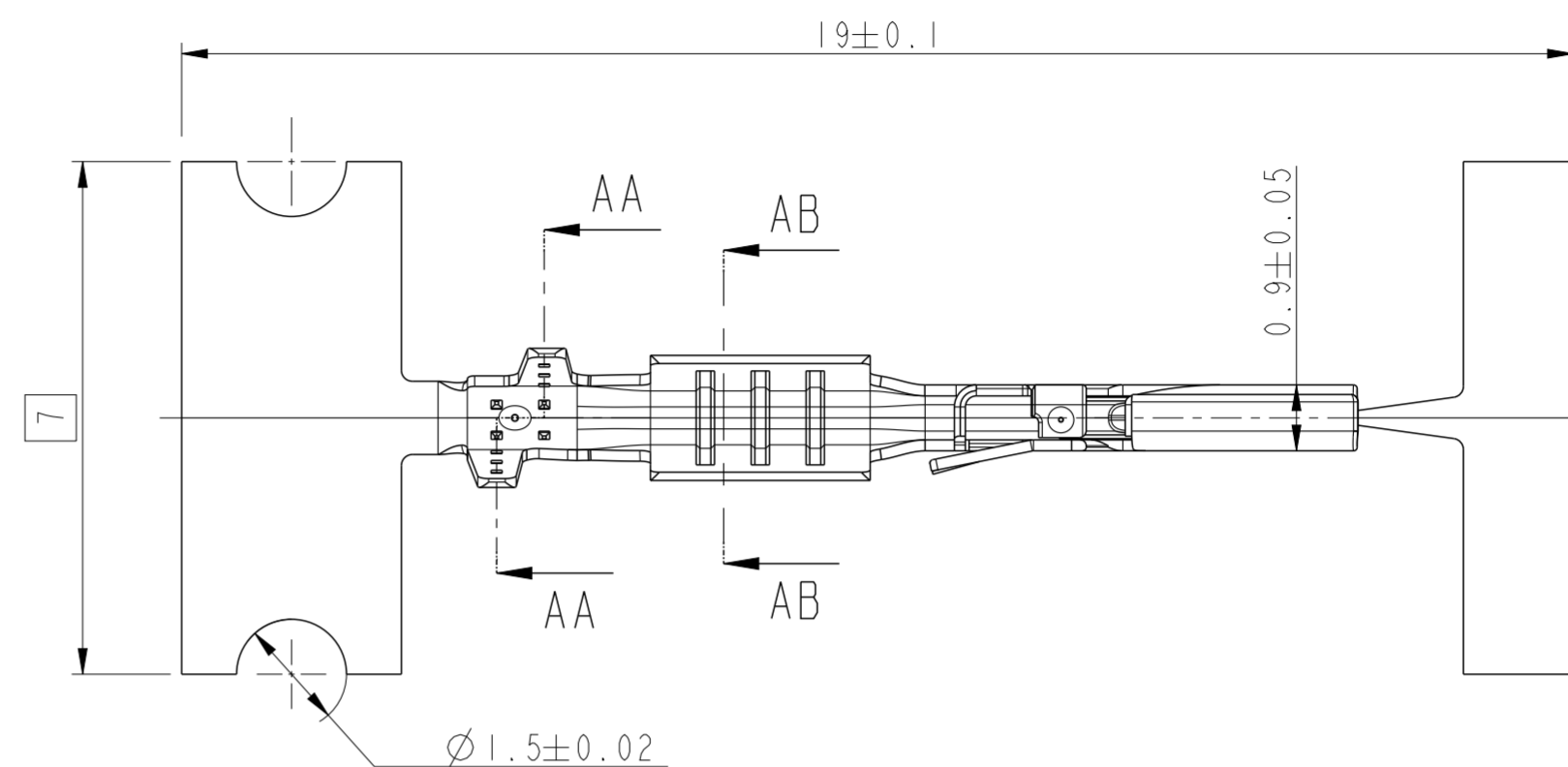
a - LABELLING :

MEETS PACKAGING SPECS AS PER GS-14-920

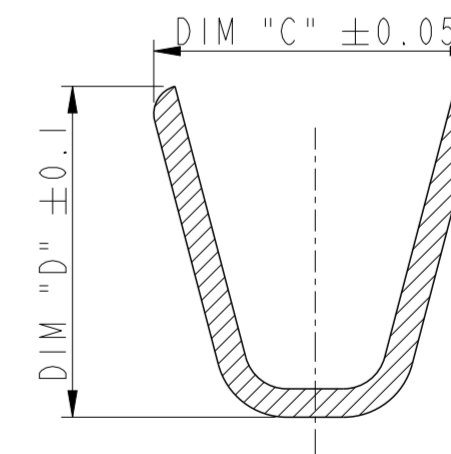
b - LEGAL STATEMENT :

SEE GS-47-0004.

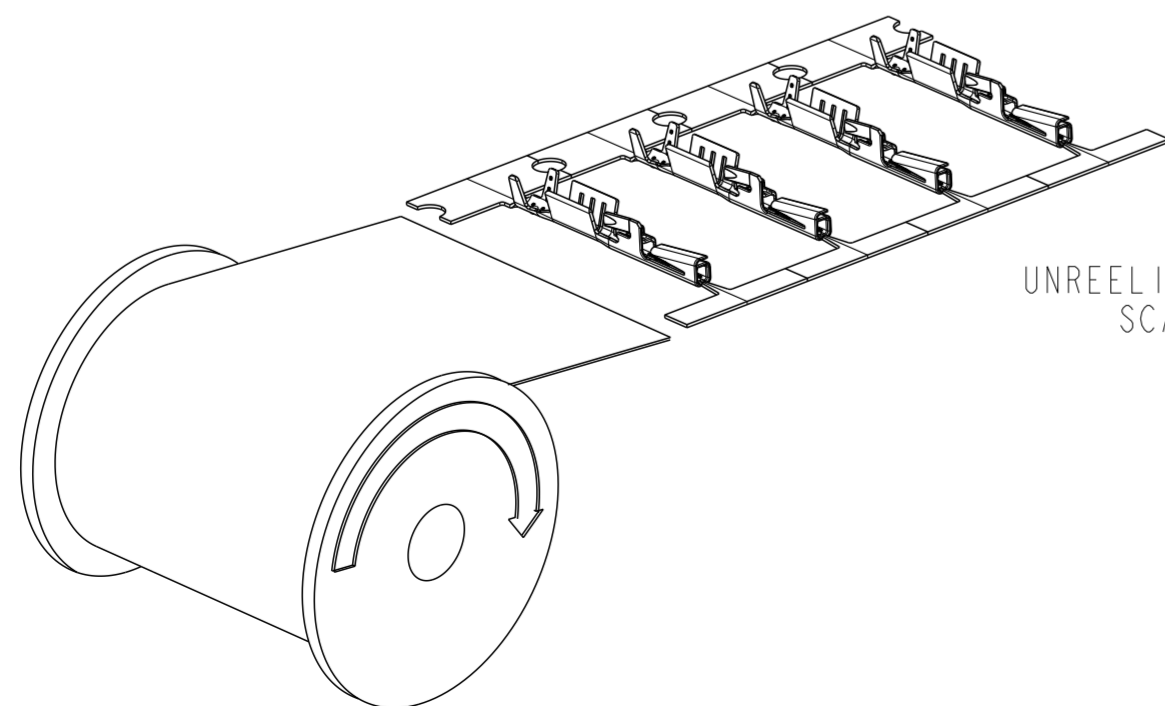
PRODUCT NO	WIRE SIZE	DIM "A"	DIM "B"	DIM "C"	DIM "D"
10141272-111LF	AWG 22-24	1.9	1.9	1.7	1.75
10141272-112LF	AWG 26-30	1.9	1.8	1.6	1.25



SECTION AA-AA
SCALE 25:1



SECTION AB-AB
SCALE 25:1



UNREELING DIRECTION
SCALE 3:1

spec ref	GS-12-1422	dr	Sawarth, Ambaa	2017/07/06	projection	mm	size	A2	scale	10:1				
tolerance std	ISO 406 ISO 1101	eng	Cyril Jeune	2018/10/16		mm	ecn no	ELX-F-27417-2	rel level	Released				
TOLERANCES UNLESS OTHERWISE SPECIFIED		chr	Hyppias, Arnaud	2018/10/16										
surface	linear	0.X	±0.1		product family		-	-	-	-				
		0.XX	±0.05		RECEPTACLE TERMINAL						dwg no	10141272	rev	B
	angular	0°	±2°		MINITEK µSPACE									