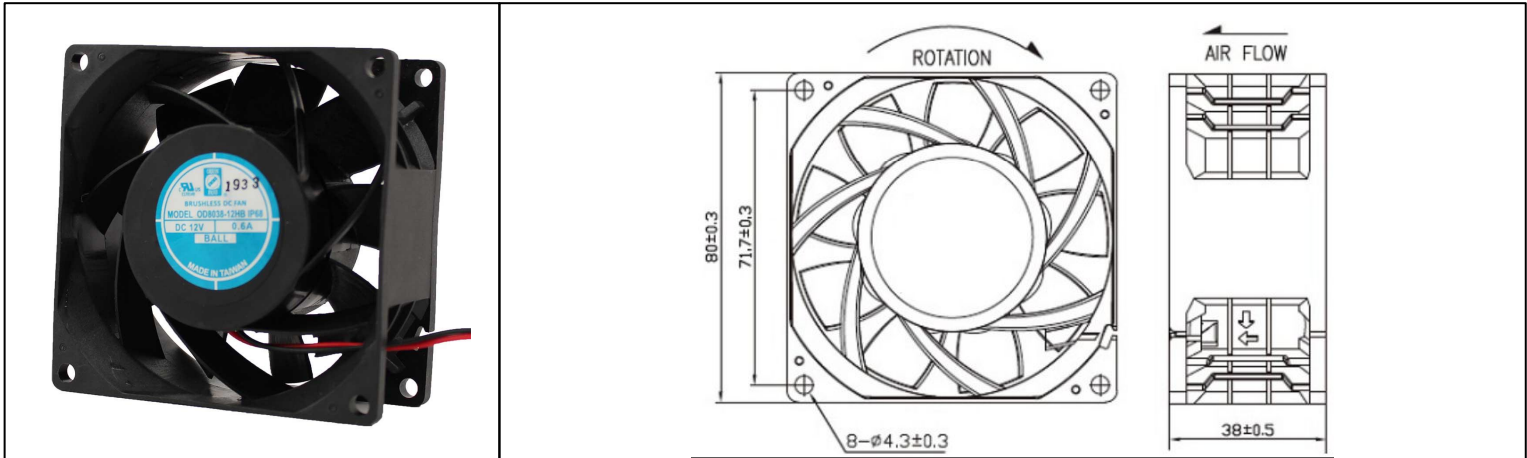


OD8038-IP68 Series



DC Fan, 12, 24V
80x38mm (3.15"x1.5")



Frame	PBT, UL94 V-0 plastic	Operating Temperature -10°C ~ +70°C Storage Temperature -40°C ~ +75°C Life Expectancy 70,000 hours (L10 at 40°C) Available Options Tachometer Alarm PWM Weight: 0.46 lbs m0	
Impeller	PBT, UL94 V-0 plastic		
Connection	2x Lead wires 24 AWG		
Motor	Brushless DC, Auto Restart, Polarity Protected, Electronically Protected, IP68		
Bearing System	Dual Ball Bearings		
Dielectric Strength	500VAC/min		
Insulation Resistance	10M ohm between leadwires and frame (500 VDC)		

Part Number	Rated Voltage	Input Power	Rated Current	Rated Speed (RPM)	Airflow (CFM)	Noise Level (dB)	Max. Static Pressure
OD8038-12HHBIP68	12 VDC	10.8 W	0.9 A	5800	82	52	0.78"H ₂ O
OD8038-12HBIP68	12 VDC	7.2 W	0.6 A	5000	71	49	0.58"H ₂ O
OD8038-12MBIP68	12 VDC	4.8 W	0.4 A	4200	60	45	0.41"H ₂ O
OD8038-12LBIP68	12 VDC	3.6 W	0.3 A	3500	50	41	0.28"H ₂ O
OD8038-24HHBIP68	24 VDC	10.8	0.45 A	5800	82	52	0.78"H ₂ O
OD8038-24HBIP68	24 VDC	7.2 W	0.3 A	5000	71	49	0.58"H ₂ O
OD8038-24MBIP68	24 VDC	6.0 W	0.25 A	4200	60	45	0.41"H ₂ O
OD8038-24LBIP68	24 VDC	4.8 W	0.2 A	3500	50	41	0.28"H ₂ O