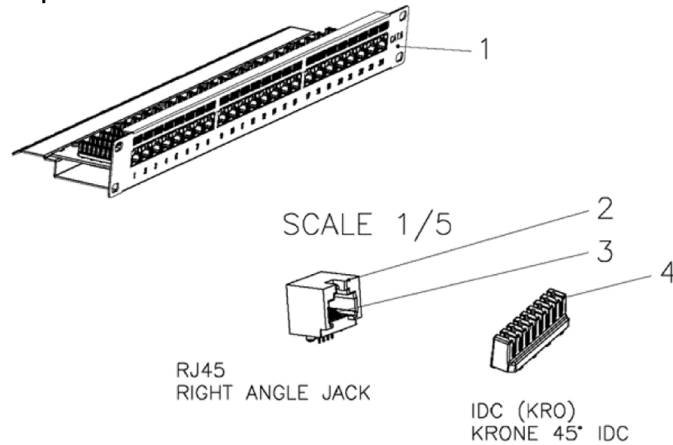


ROHS Compliant

Code: SF24je



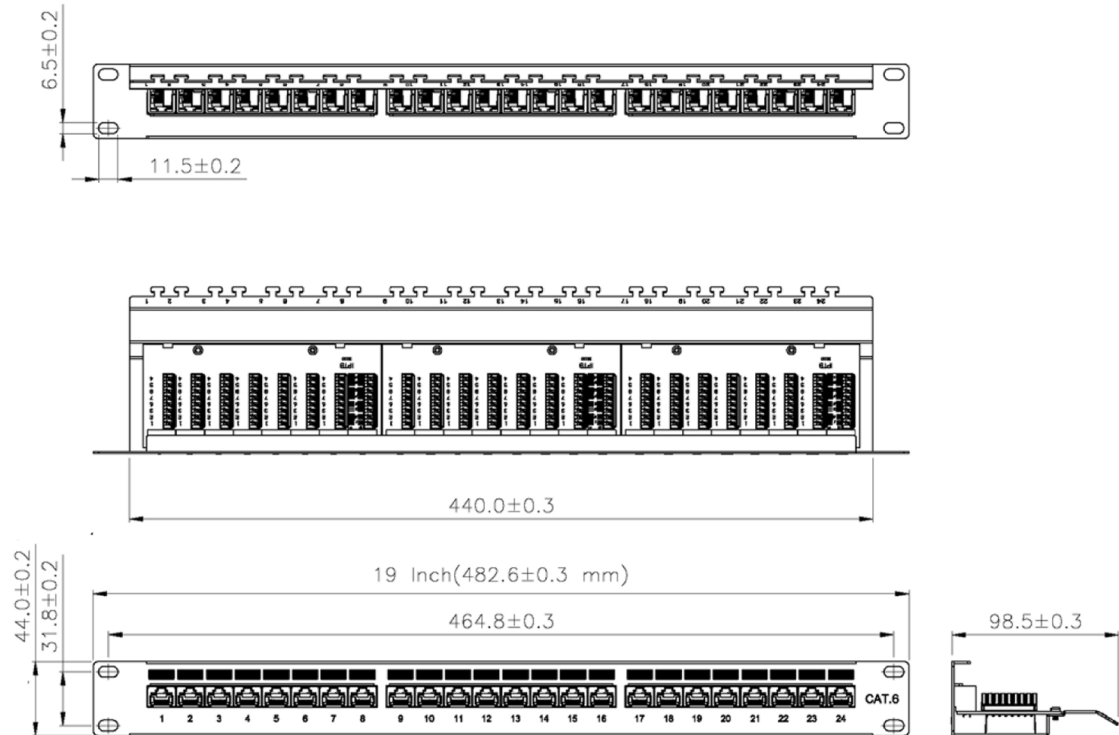
### Specification:

#### Material :

1. Panel : SPCC, 1.2 mm thickness painted Black(RAL 9005)
2. RJ45 Jack :
  - 2-1. Housing : PBT + Glass Fiber, UL 94V-0
  - 2-2. Contact Bracket : PBT + Glass Fibre, UL 94V-0
3. RJ45 Contact :
  - 3-1. Material : Nickel-plated Phosphor Bronze.
  - 3-2. Finish : 50 micro-inch Gold plated on Plug contact area
4. IDC :
  - 4-1. Housing : PC+ Glass Fiber, UL 94V-2
  - 4-2. Terminal : Tin-plated Phosphor Bronze
5. PCB : FR4, UL 94V-0

#### Performance :

- a. T568A & T568B wiring.
- b. Insertion Force : 20N max. (IEC 60603-7-4)
- c. Retention Strength : 7.7 kg between Jack and Plug
- d. Operating Temperature : -10° to 60° (ISO/IEC 11801, ANSI/TIA/EIA 568.B.2)
- e. Life (mating cycles) :
  - \* Jack : 750 cycles min. (ISO/IEC 11801, IEC 60603-7-4)
  - \* IDC : Suitable for 22-26 AWG stranded and solid wire, compatible with LSA+ Krone type punch down tool.
- f. The Cat.6 transmission performance is in compliance with ANSI/TIA/EIA 568 B.2-1



GENERAL  
TOLERANCE  
OF DIMENSIONS

X.XXX ±0.005  
X.XX ±0.05  
X.X ±0.1