

THIS DOCUMENT CONTAINS PROPRIETARY DATA OF POLARIS INDUSTRIAL ENTERPRISES, INC. NO DISCLOSURE, REPRODUCTION, OR USE OF ANY PART THERE OF MAY BE MADE EXCEPT BY WRITTEN PERMISSION.

REV.	BY	DATE	APPRVL.	P/N
E	BT	9/23/96	BT	SP22E

SPECIFICATIONS

ELECTRICAL

RESISTANCE VALUES _____ 500, 1K, 2K, 5K, 10K, 20K, 50K, 100K
 RESISTANCE TOLERANCE _____ ±10%
 LINEARITY(INDEPENDENT) _____ ±1%
 ELECTRICAL ANGLE _____ 320°±5°
 END RESISTANCE _____ 0.2% MAX.
 RESOLUTION _____ ESSENTIALLY INFINITE
 INSULATION RESISTANCE _____ 1000MEG OHMS @ 500 VDC
 DIELECTRIC STRENGTH _____ 500 VAC
 POWER RATING _____ 1 WATT
 CONTACT RESIS. VARIATION _____ BELOW 2% C.R.V.
 OUTPUT SMOOTHNESS _____ LESS THAN 0.1%

MECHANICAL

NO. OF TURNS _____ 1
 MECHANICAL ROTATION _____ 320±5°
 ROTATIONAL LIFE _____ 10,000,000 TURNS
 STOP STRENGTH _____ 84 OZ.IN.MIN.
 TORQUE _____ BELOW 0.8 OZ.IN.
 WEIGHT _____ APPROX 0.7 OZ.

ENVIRONMENTAL

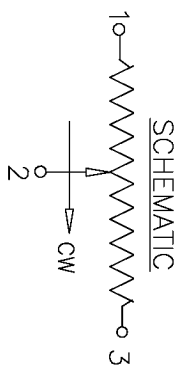
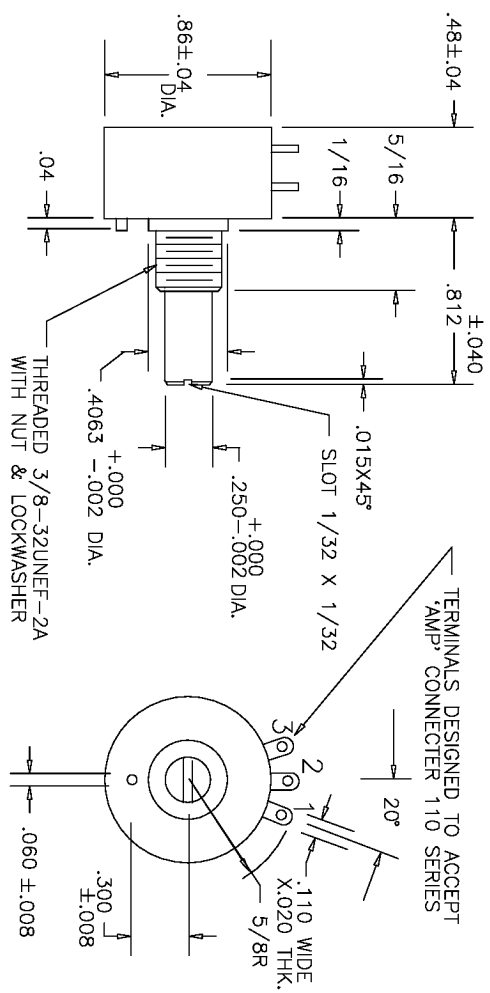
OPERATING TEMPERATURE _____ -55°C TO +105°C
 TEMPERATURE COEFFICIENT _____ ±400 PPM/°C
 VIBRATION _____ 10HZ TO 2000HZ 15G
 SHOCK _____ 50G 11ms
 MOISTURE RESISTANCE _____ 40°C 95%RH 120 HOURS

MATERIALS

HOUSING----- HIGH TEMP. THERMO PLASTIC
 TERMINALS----- GOLD PLATED BRASS
 BUSHING----- BRASS
 SHAFT----- STAINLESS STEEL
 ELEMENT----- CONDUCTIVE PLASTIC

OPTIONAL FEATURES

SHAFT MODIFICATIONS
 REAR SHAFT
 CENTER TAP
 MULTI-GANGED UP TO 6 SECTIONS
 O'RING SHAFT SEAL
 SPECIAL ANGLES

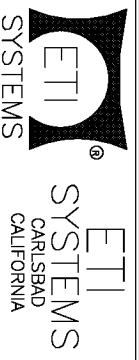


TOLERANCES

XX = +/- .010" FRACT. = +/- 1/64"
 XXX = +/- .005" ANGLES = +/- 1/2"
 ALL SPECIFICATIONS SUBJECT TO CHANGE WITHOUT NOTICE.

SCALE	DATE:
NONE	8-4-86
APPRV'D	BY
BT	

CODE IDENT: 19477



TITLE
 SINGLE TURN
 POTENTIOMETER

PART NO.
 SP22E

Mouser Electronics

Authorized Distributor

Click to View Pricing, Inventory, Delivery & Lifecycle Information:

ETI Systems:

[SP22E-10K](#) [SP22E-1K](#) [SP22E-2K](#) [SP22E-5K](#) [SP22E-50K](#) [SP22E-100K](#) [SP22E-20K](#) [SP22E-3011-10K](#)