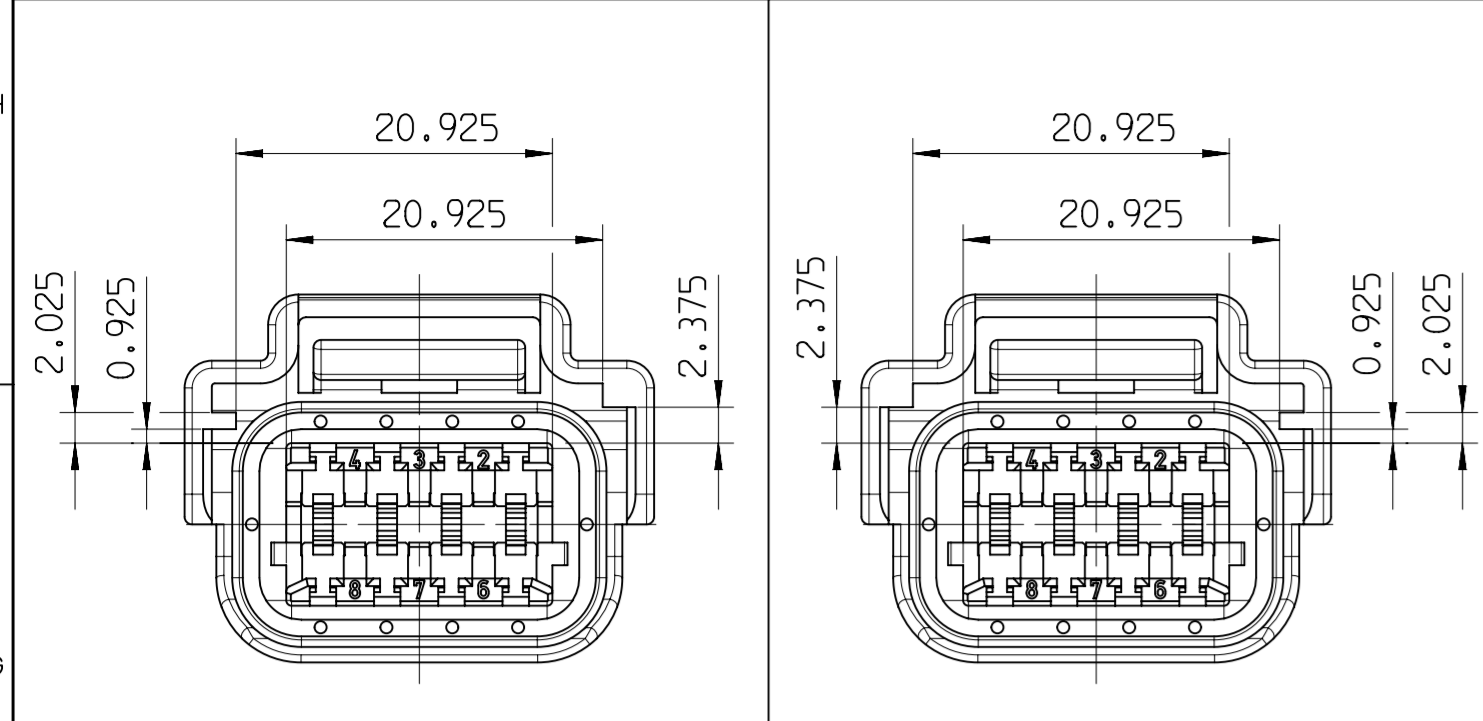
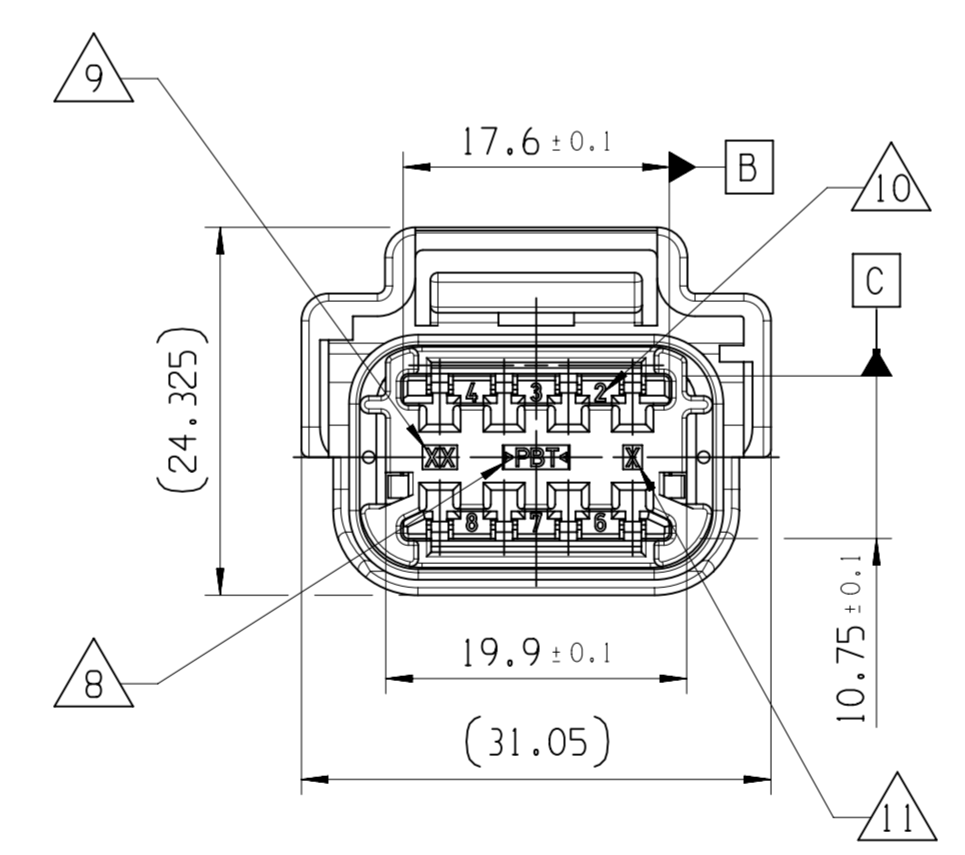
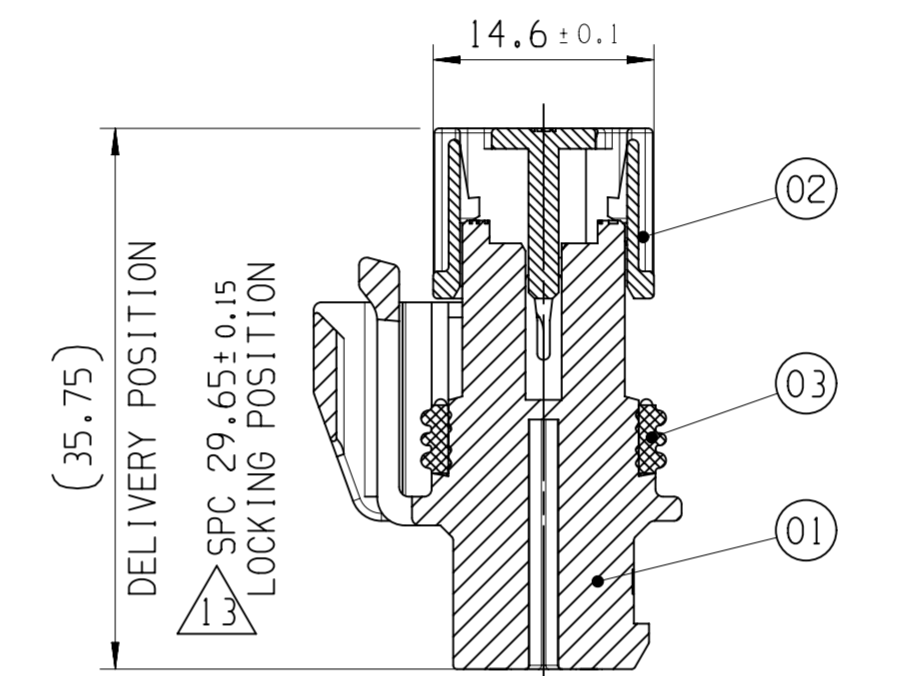
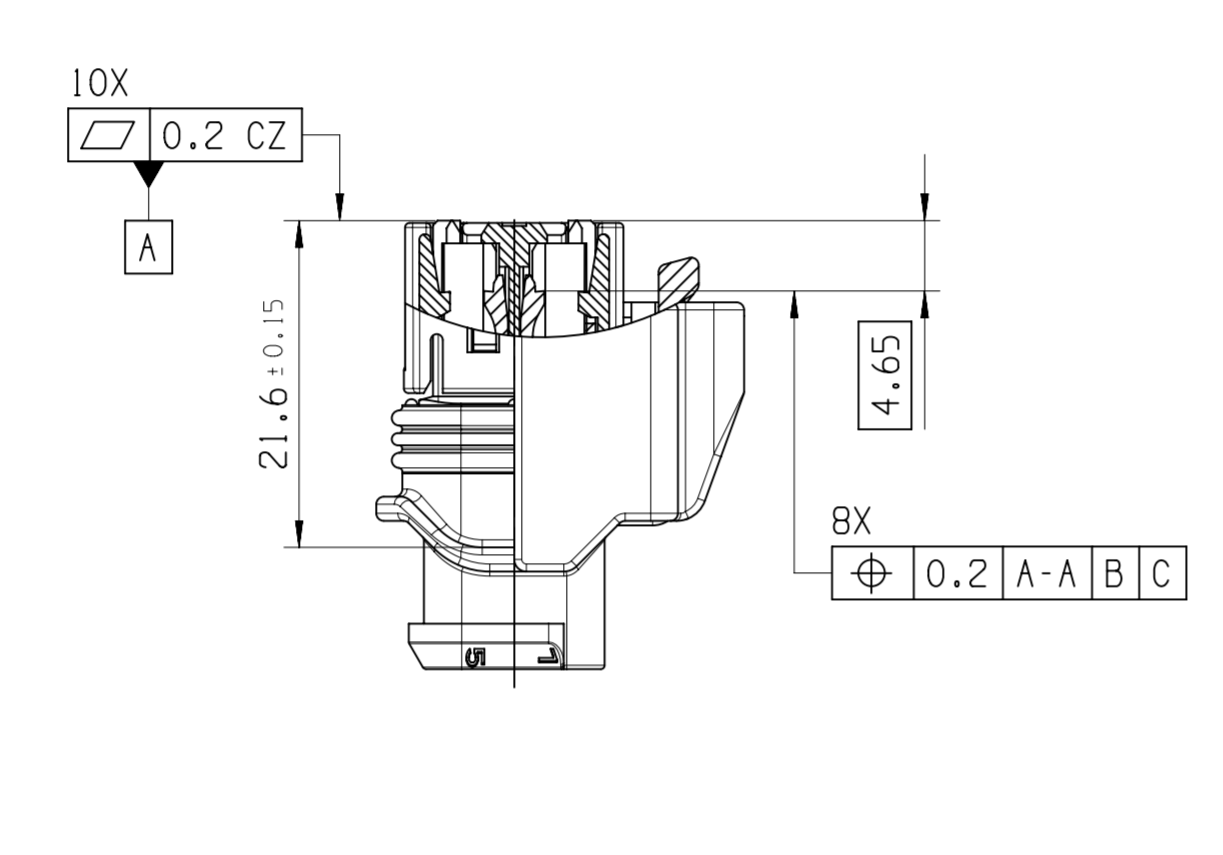
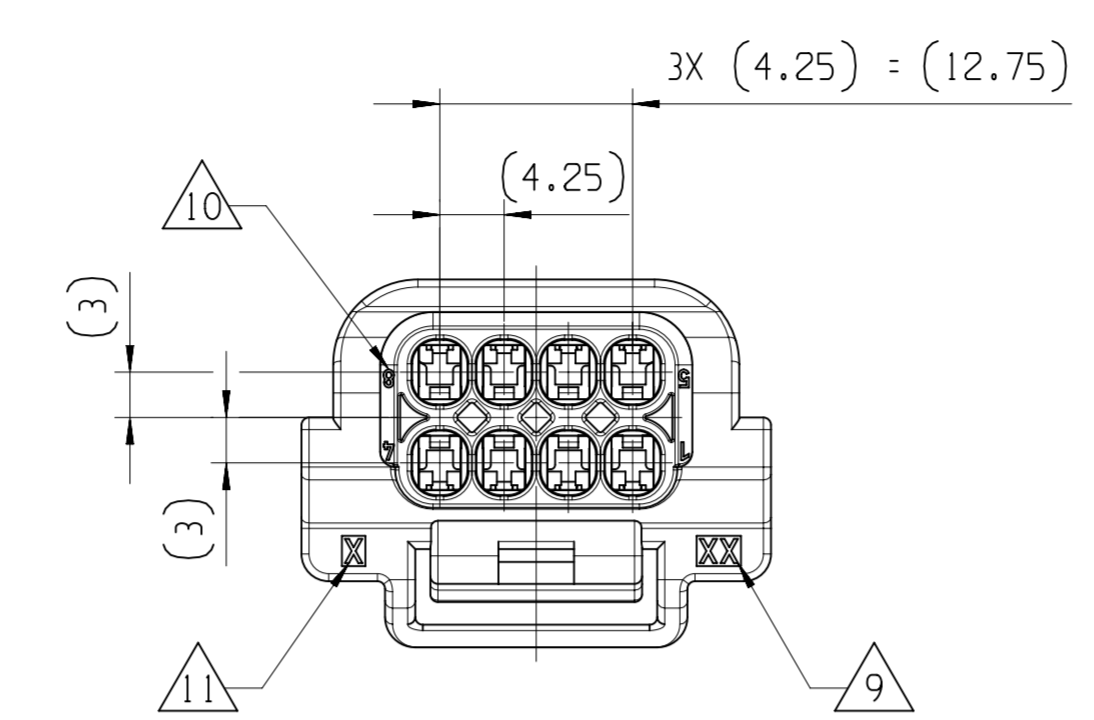


FEMALE CONNECTOR 8 WAY CODINGS

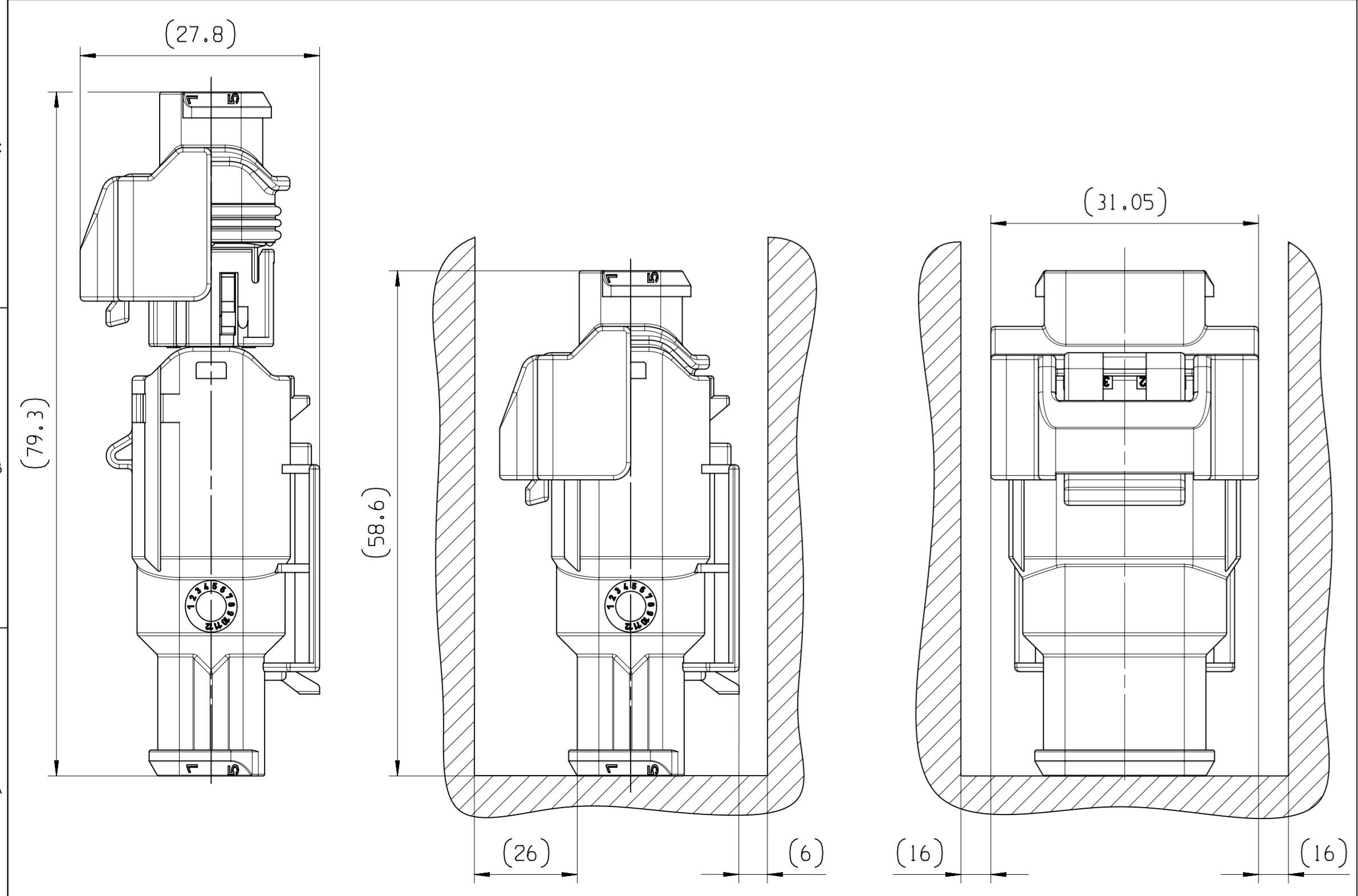


VIEW F
COLOR
APTIV PART NUMBER
APTIV PART REVISION

GREY	BLACK	COLOR
13800072	13800077	APTIV PART NUMBER
01	01	APTIV PART REVISION



OVERALL DIMENSION FOR MOUNTABILITY

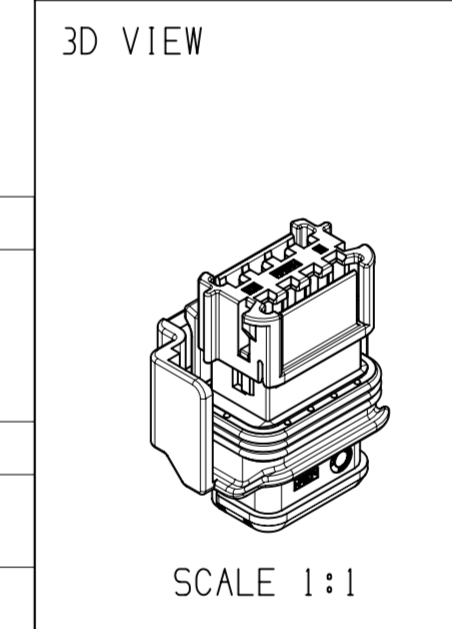


ASSOCIATED PARTS (FOR INFORMATION)		
SECTION	SICMA 1.5 FEMALE TERMINAL APTIV P/N	INSULATION DIAMETER OF WIRE
0.35 - 0.70 mm ²	13761154	1.25-2.1
1.35 - 2.0 mm ²	13761648	2.1-2.8
TITLE		ASSOCIATED DOCUMENTS
CABLE SEAL Ø 1.25-1.9		10736278
CABLE SEAL Ø 1.75-3.0		10736279

POS.	DESCRIPTION	APTIV PART NUMBER	MATERIAL	COLOR
03	CONNECTOR SEAL	13800056	SILICONE	BLUE
02	PLR	13800060	PBT	YELLOW
01	FEMALE HOUSING	13800066	PBT	GREY
		13800049	PBT	BLACK

NOTE	SPECIFICATIONS
1	FEMALE CONNECTOR ACCORDING TO: - TEMPERATURE CLASS T3 - ENGINE VIBRATOR CLASS V2 - SEALING CLASS 2
2	USER'S MANUAL: 13800047-CUS76
3	FEMALE CONNECTOR AND CAVITY'S POSITION ACCORDING TO: 13800035-CUS02
4	WIRE DIAMETER 0.35-0.70mm ² MINI= Ø 1.25 MAXI= Ø 2.1 1.35-2.0mm ² MINI= Ø 2.1 MAXI= Ø 2.8
5	DELIVERY CONNECTOR WEIGHT : 8.54g
6	NO WAFER HINGE OR WAFER HINGE BROKEN ALLOWED
7	VISUAL DEFECTS ON NO FUNCTIONAL AREAS ALLOWED
8	MATERIAL CODE
9	TOOL CAVITY NUMBER
10	PART CAVITY NUMBER
11	INDEX REPLACEMENT INSERT
12	DATE STAMP MONTH/YEAR
13	SPC: STATISTICAL PROCESS CONTROL

DWG STATUS				REVISION HISTORY				AUTH	DR	APVD 1	APVD 2
DATE	STG	REV	N/P/CHG	ZONE							
070C20	R	01					INITIAL RELEASE		P.BAL	M.SKR	M.SKR



DWG TYP	PART DRAWING
WEIGHT (GR)	SEE NOTE
VOLUME (CM ³)	---
ROUTING	D

UNLESS OTHERWISE SPECIFIED
GENERAL TOLERANCES ACCORDING TO:
SEE CHART
GD&T ACCORDING TO:
ISO 1101

REFERENCE
FIRST ANGLE PROJECTION
DO NOT SCALE
USE MATH DATA

• APTIV •
CONNECTION SYSTEMS
Chennai, India
COPYRIGHT 2020 APTIV. ALL RIGHTS RESERVED.
THIS DRAWING IS THE PROPERTY OF APTIV AND CONTAINS APTIV CONFIDENTIAL INFORMATION. THE REPRODUCTION, DISTRIBUTION AND UTILIZATION OF THIS DOCUMENT OR ITS RELATED CAD MATH DATA, AS WELL AS COMMUNICATION OF ANY CONTENT TO OTHERS, WITHOUT EXPRESS AUTHORIZATION, IS PROHIBITED.

DR	P.BALAJI	DATE	070C20
APVD1	M.SIKORA		070C20
APVD2	M.SIKORA		070C20
APVD3			
APVD4			
APVD5			

SUBSTANCES OF CONCERN AND RECYCLED CONTENT PER APTIV 10949001

MATERIAL
SEE TABLE

DRAWING NAME
FEMALE CONNECTOR 8 WAY SEALED
SICMA 3 1.5

DRAWING NUMBER
13800047

SIZE	SCALE	FRAME NO	SHEET NO	STG	REV	N/P
A1	2:1	1 OF 1	1 OF 1	R	01	