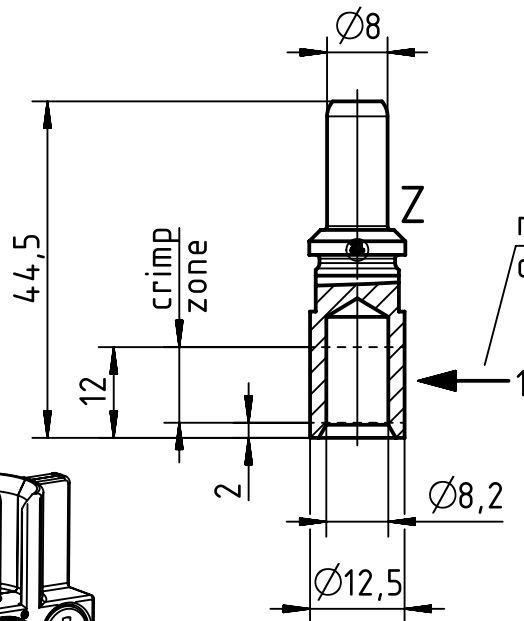
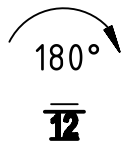
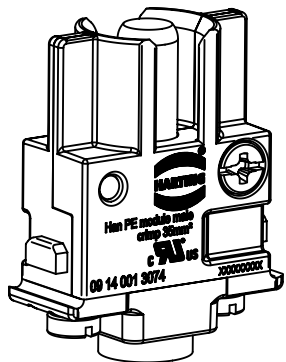


Z (2:1)



assembly notes see catalog
 crimp zone acc. to DIN EN 46235 indicator 12
 for stranded fone wire acc. to VDE 0295 class 5 / IEC 60228 class 5
 wire gauge 35mm²
 stripping length: 16mm
 All component parts are enclosed separately



| | | | | | | | | |
|---|--|--|---|--------------------------|-----------------------------|--------------------|--|-------------|
| | All Dimensions in mm Original Size DIN A4 | | Scale 1:1 | | Free size tol. | | Ref. | |
| | | | | | | | Sub. | |
| | All rights reserved | | Created by DICK | Inspected by SCHLEGEL | Standardisation TIEMANNA | Date 2016-05-11 | State Final Release | |
| | Department EL PD - DE | | Title Han PE-module male crimp 35qmm | | | | Doc-Key / ECM-Nr. 100614415/UGD/002/B 500000104304 | |
| HARTING Electric GmbH & Co. KG D-32339 Espelkamp | | | Type TB | Number 09 14 001 3074 | | | Rev. B | Page 1/1 |