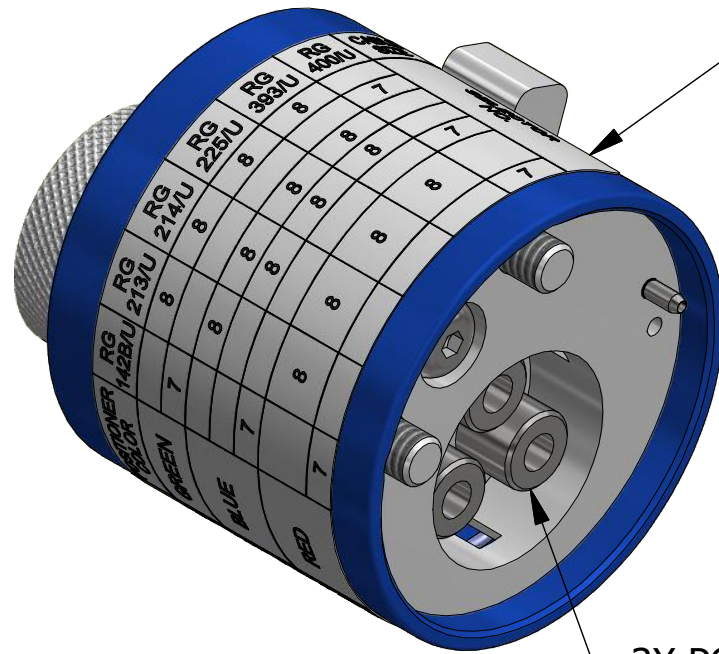


REVISIONS

REV	ECO NO.	DESCRIPTION	BY	DATE	APP'D BY	DATE
1		REDRAWN	AAM	4/24/2000	RRR	4/24/2000
2	23573	UPDATED & REDRAWN	TonyD	3/20/2015		



DATAPLATE

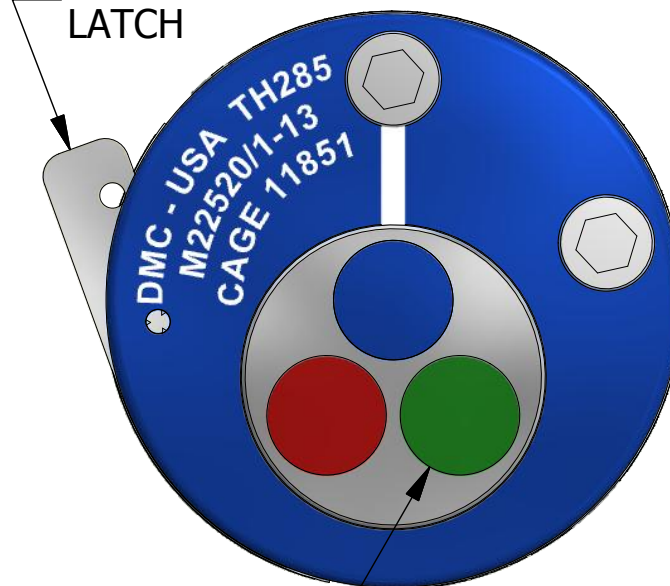
M39012/	POSITIONER COLOR	RG 142B/U	RG 213/U	RG 214/U	RG 225/U	RG 393/U	RG 400/U	CABLE SIZE
01-0501, 01-0502	GREEN		8	8	8	8		SELECTOR NO.
01-0503		7					7	
05-0501, 05-0502	BLUE		8	8	8	8		
39-0501		7		8	8	8	7	
05-0503, 39-0503	RED		8	8	8	8		
02-0501, 02-0502			8	8	8	8		
02-0511, 02-0512		7					7	
02-0503, 02-0513		7					7	

3X POSITIONER INSERTS

**UNCONTROLLED DOCUMENT  
WILL NOT BE UPDATED**  
DIMENSIONS IN INCHES - UNLESS OTHERWISE SPECIFIED

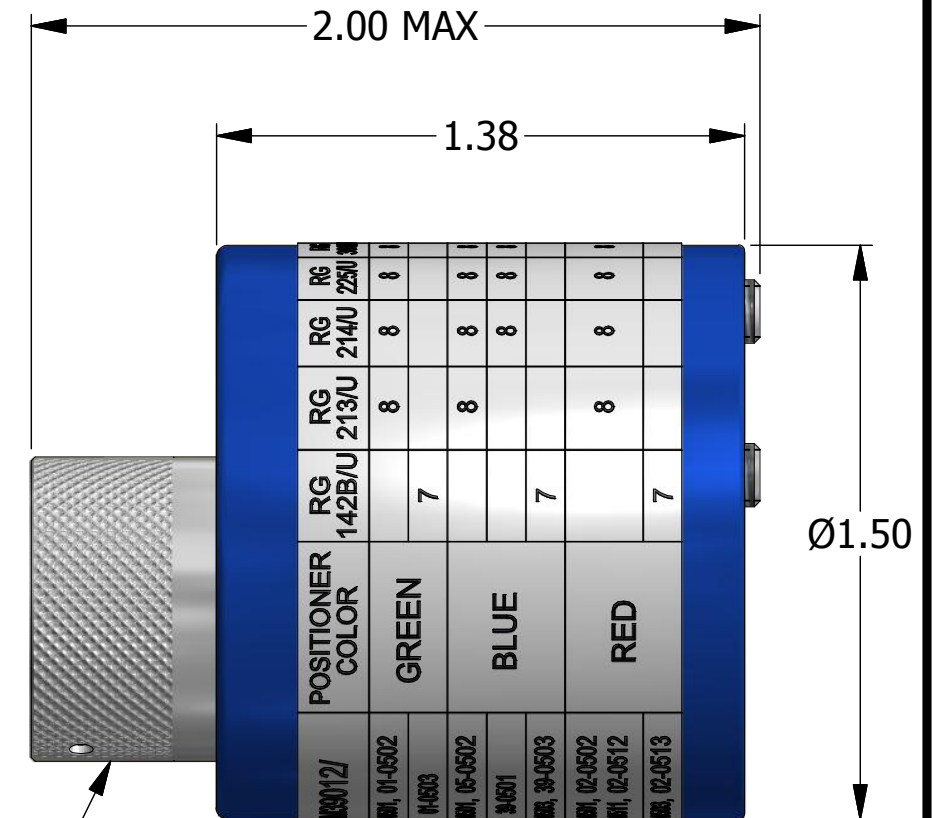


TURRET LATCH



RANDOM ORDER OF ROTATION IS ACCEPTABLE FOR POSITIONER INSERTS

TURRET



INSERT COLOR	HOLE DIMENSIONS	ADDITIONAL FEATURES
BLUE	Ø.125 ▽.495	
RED	Ø.125 ▽.563	
GREEN	Ø.125 ▽.595	

MATERIAL	ITEM	PART NO.	QTY.	DESCRIPTION / REMARKS
N/A	JWS			DATE 3/25/1986 CHK'D. DATE
RESTRICTED & CONFIDENTIAL CONFIDENTIAL PROPERTY OF DANIELS MANUFACTURING CORP. NOT TO BE DISCLOSED TO OTHERS. REPRODUCTION OR USED FOR ANY OTHER PURPOSE EXCEPT AS AUTHORIZED IN WRITING BY DANIELS MANUFACTURING. MUST BE RETURNED TO DANIELS MANUFACTURING CORP. ON COMPLETION OF ORDER OR PURPOSES FOR WHICH LENT.		HEAT TREAT		N/A
CREATED FROM AN INVENTOR MODEL. CHANGES MUST BE REFLECTED IN THE 3D PART		FINISH		N/A
DO NOT SCALE DRAWING				
NOTE: THIS DRAWING IS AN OUTLINE DRAWING OF THE RESPECTIVE DMC PART NUMBER INDICATED. ACTUAL DMC PART NUMBER IS CAD PART NUMBER WITHOUT THE "-ENV" SUFFIX				TITLE TURRET HEAD (M22520/1-13) ENVELOPE DRAWING
WHERE USED: AF8				SIZE: B
SCALE: 2:1				CAD P/N: TH285-ENV
DWG. NO. TH285				SHEET: 1 OF 1 REV. 2



# Mouser Electronics

Authorized Distributor

Click to View Pricing, Inventory, Delivery & Lifecycle Information:

[Daniels Manufacturing:](#)

[TH285](#)