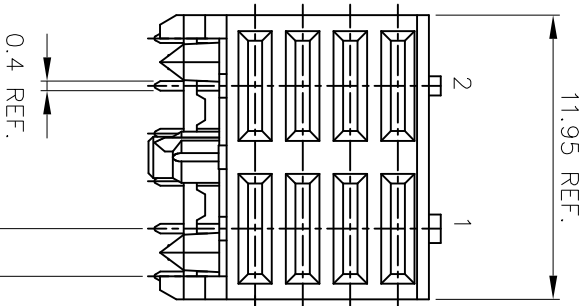
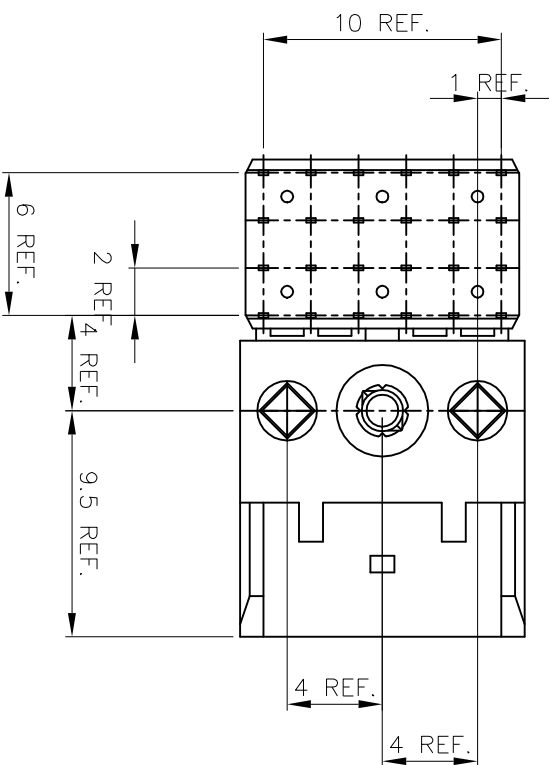
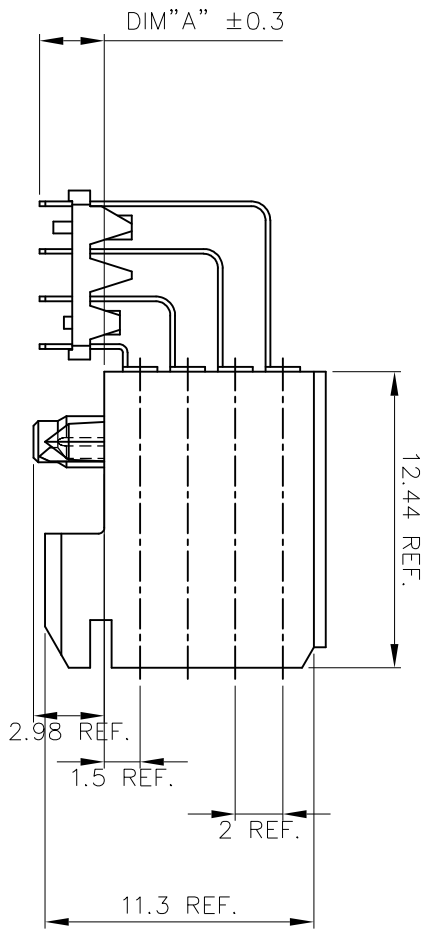
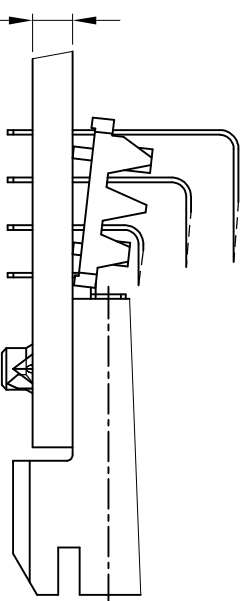


DASH NR:	PERFORMANCE LEVEL	TELECORDIA CO	OBSOLETE
-1YY	TELECORDIA CO	TELECORDIA CO	OBSOLETE
-2YY	CUSTOMER SPECIAL	TELECORDIA CO	OBSOLETE
-3YY	TELECORDIA CO	TELECORDIA CO	OBSOLETE
-9XX	CUSTOMER SPECIAL	TELECORDIA CO	OBSOLETE
-2Y1F	TELECORDIA CO	TELECORDIA CO	OBSOLETE
-9Y1F	TELECORDIA CO	TELECORDIA CO	OBSOLETE
-1Y1L	TELECORDIA CO	TELECORDIA CO	OBSOLETE
-3Y1L	CUSTOMER SPECIAL	TELECORDIA CO	OBSOLETE

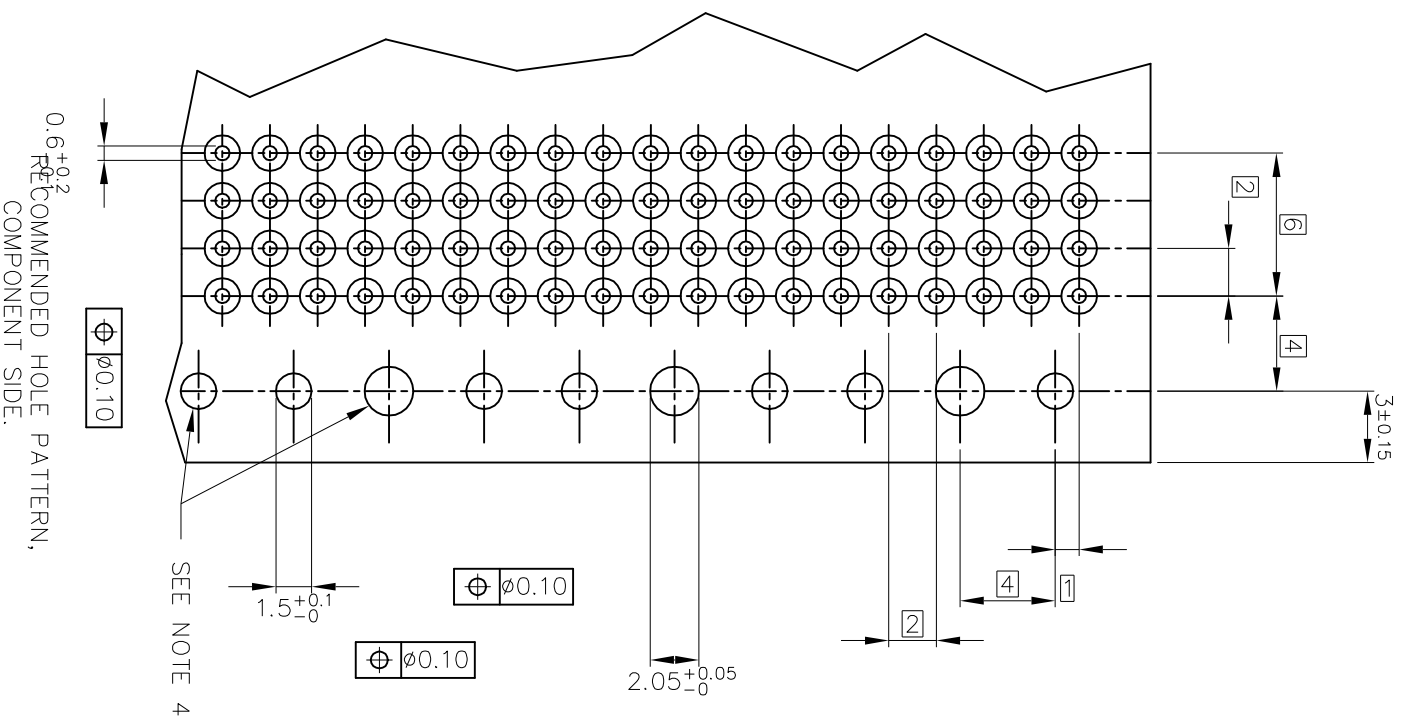
PC BOARD VERSIONS		
PRODUCTNR:	PCB THICKNESS	DIM "A"
89039-X011F	1.6	2.90
89039-X111F	2.4	3.53



PC BOARD THICKNESS ±0.20
SEE TABLE



PRODUCT AFTER PC BOARD APPLICATION.

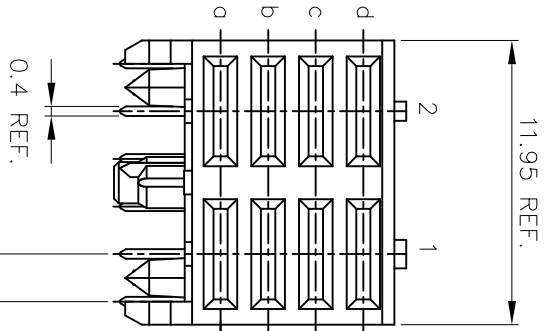
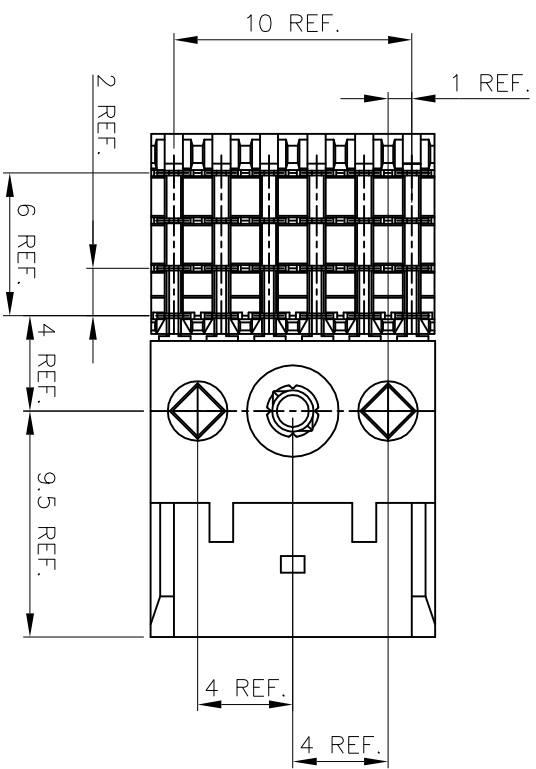
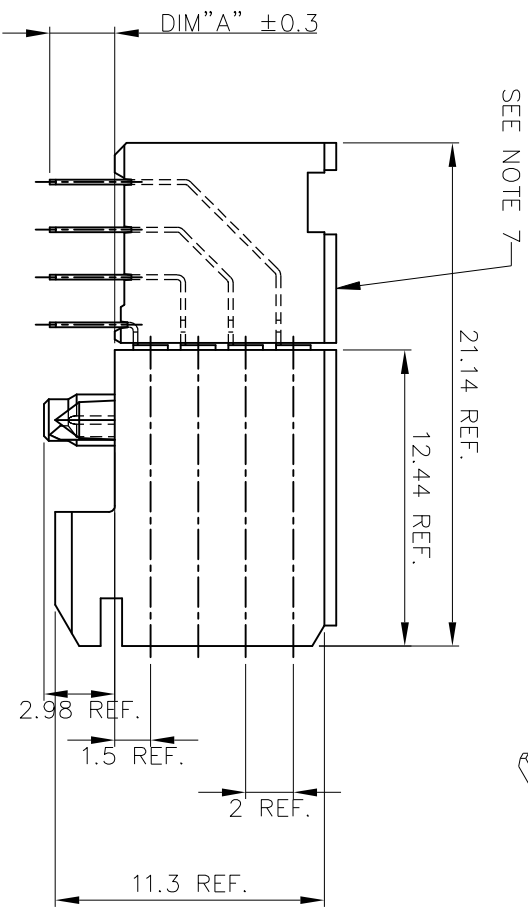
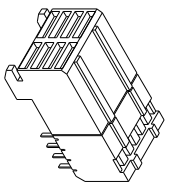


- NOTES:
- 1 BODY MAT'L: LIQUID CRYSTAL POLYMER 30% GLASS FLAME RETARDANT ACC. UL 94-V0
 - 2 TERMINAL MATERIAL: PHOSPHOR BRONZE.
 - 3 INDICATED HOLES ARE UNPLATED.
 - 4 PRODUCT MARKING: PART NUMBER & BATCH ID.
 - 5 THIS PRODUCT MEETS EUROPEAN UNION DIRECTIVES AND OTHER COUNTRY REGULATIONS AS DESCRIBED IN GS-22-008
 - 6 THE HOUSING WILL WITHSTAND EXPOSURE TO 260DEGREE PEAK TEMPERATURE FOR 10 SECONDS IN A WAVE SOLDER APPLICATION.
 - 7 THE PRODUCT SPECIFICATION GS-12-453.
 - 8 FOR THE PRODUCT WITH 30U" GOLD PLATING IN TERMINAL, THEY CAN BE REPLACED BY 30 CXT PLATING.

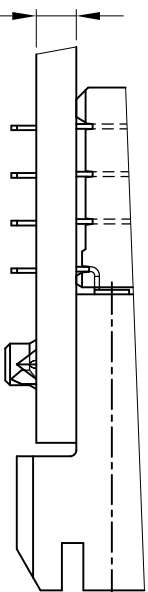
mat'l. code		surface	tolerance	projection	product family
ltpr	ecrn no	dr	date	ISD 1302	METRAL
K	DG08-0171	TER	2008-08-26	ISD 1101	
L	N11-0131	AZH	2011-05-09	tolerances unless otherwise specified	
M	ELX-N-004595	AZH	2011-07-20	angles	
N	ELX-N-006420	AZH	2011-09-29	linear	
P	ELX-N-26608	MZ	2017-03-27	0.X ±0.30	
		chr		0.XX ±0.15	
		gppd		.XXX ±.05	
		H.BDUWKNEGT		scale 5:1	
		H.BDUWKNEGT			
		J.VINITJES			
sheet index	revision	P	P		
	sheet	1	2		
title		RA FEMALE POWER RECEPTACLE 12mm PRESS PEG			
dwg no		89039			
sheet 1 of 2		size A3			
type		Product Customer Drawing			

PLATING CONTACT AREA:	
DASH NR:	PERFORMANCE LEVEL
-1YY	TELCORDIA CO
-2YY	CUSTOMER SPECIAL
-3YY	TELCORDIA CO
-4YY	CUSTOMER SPECIAL
-5YY	TELCORDIA CO
-6YY	CUSTOMER SPECIAL
-7YY	TELCORDIA CO
-8YY	CUSTOMER SPECIAL
-9YY	TELCORDIA CO
-1YYL	TELCORDIA CO
-2YYL	CUSTOMER SPECIAL
-3YYL	TELCORDIA CO
-4YYL	CUSTOMER SPECIAL

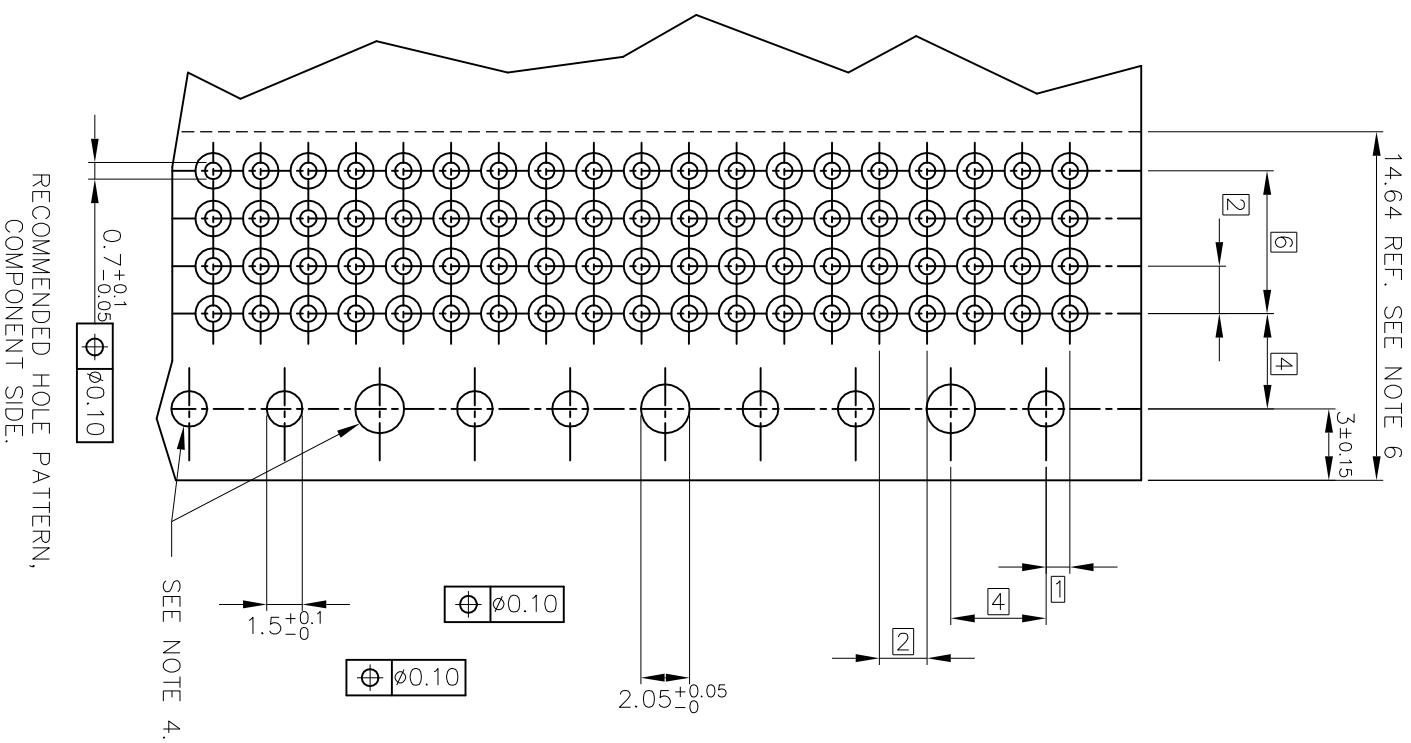
PC BOARD DIMENSIONS			
PRODUCT NR:	PCB THICKNESS	DIM "A"	
89039-X02LF	1.6	2.90	
89039-X12LF	2.4	3.53	



PC BOARD THICKNESS ±0.20
SEE TABLE



PRODUCT AFTER PC BOARD APPLICATION.



NOTES:

- 1 BODY MAT'L: LIQUID CRYSTAL POLYMER 30% GLASS FLAME RETARDANT ACC. UL 94-V0
- 2 TERMINAL MATERIAL: PHOSPHOR BRONZE.
- 3 INDICATED HOLES ARE UNPLATED.
- 4 PRODUCT MARKING: PART NUMBER & BATCH ID.
- 5 SET BACK FOR PRESS BLOCK.
- 6 TOP SURFACE OF PRESS BLOCK MAY EXTEND UP TO 0.4MM HIGHER THAN HOUSING. THIS MAY AFFECT THE TAIL LENGTH BEFORE APPLICATION TO A BOARD
- 7 THIS PRODUCT MEETS EUROPEAN UNION DIRECTIVES AND OTHER COUNTRY REGULATIONS AS DESCRIBED IN GS-22-008
- 8 THE HOUSING WILL WITHSTAND EXPOSURE TO 260DEGREE PEAK TEMPERATURE FOR 10 SECONDS IN A WAVE SOLDER APPLICATION.
- 9 THE PRODUCT SPECIFICATION GS-12-453.
- 10 FOR THE PRODUCT WITH 30U" GOLD PLATING IN TERMINAL, THEY CAN BE REPLACED BY 30 GXT PLATING.

mat'l. code		surface		tolerance		projection		product family	
ltr	ecr no	dr	date	ISD 1302	ISD 1101	MM	MM	METRAL	
P				tolerances unless otherwise specified	tolerance specified			RA FEMALE POWER RECEPTACLE 12mm PRESS PEG	
				angles linear	0.X ±0.30				
				0±2°	0.XX ±0.15				
				dr	.XXX ±.05	scale 5:1			
				engr	H.BDUWKNEGT	1993-03-05			
				chr	J.VINITJES	1993-03-05			
				oppl	H.BDUWKNEGT	1993-03-05			
sheet index	revision	sheet							
dwg no		sheet 2 of 2		size		type		Product Customer	
89039		89039		A3		Drawing		Drawing	