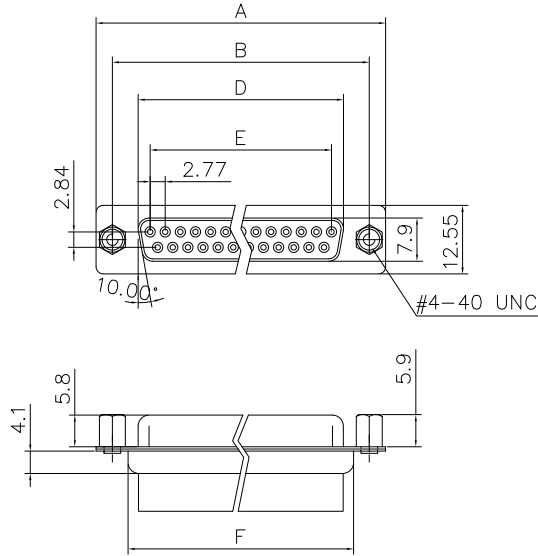


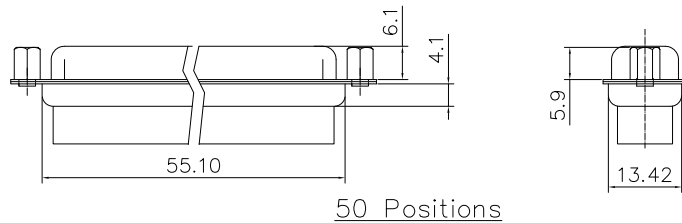
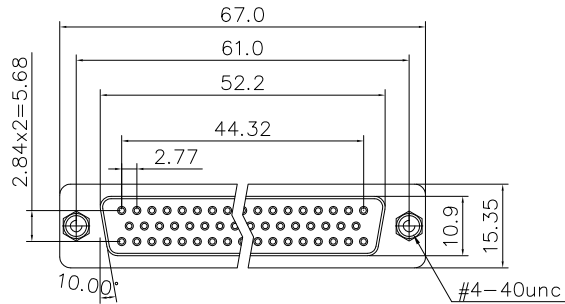
This document is the property of Amphenol Corporation and is delivered on the express condition that it is not to be disclosed, reproduced or used, in whole or in part, for manufacture or sale by anyone other than Amphenol Corporation without its prior consent, & that no right is granted to disclose or to use any information in this document.

# Customer drawing



Dimensions

Positions	A	B	D	E	F
9	30.81	24.99	16.33	11.08	19.20
15	39.20	33.30	24.70	19.39	27.70
25	53.05	47.04	38.40	33.24	41.10
37	69.40	63.50	54.80	49.86	57.30



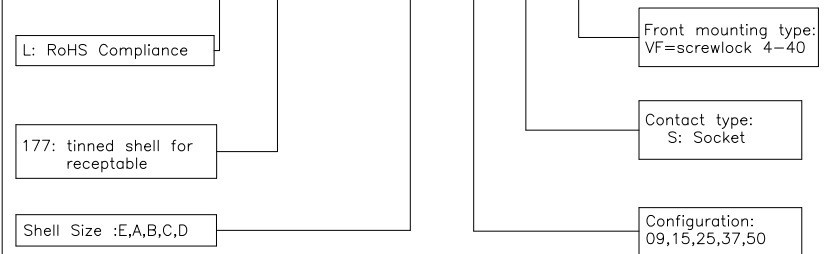
REVISIONS				
SYM	ECN	DESCRIPTION	DATE	APPROVED
1	HK--	First Release Drawing	12/13/08	IP
2	HK--	Update the drawing	11/26/13	IP
3	HK--	Define the material	04/23/14	IP

## D-SUB TECHNICAL DATA

SHELL : Steel, 100u" Tin Over 50u" min nickel over 50u" min Copper  
 FRONT BODY: Glass-Filled Thermoplastic PBT, UL94V-0, Color : Black  
 BACK BODY: Glass-Filled Thermoplastic PA66, Color : Black  
 CLINCH NUT: Brass, Nickel Plated.  
 ELECTRICAL : Withstanding Voltage >1000 V RMS  
 Insulation resistance >1000 M Ohms  
 MARKING : Amphenol...(Series No.)  
 Commercial reference  
 Manufacturing date

## PRODUCT CODE

**L 177 RR X XX S VF**



UNLESS OTHERWISE SPECIFIED TOLERANCES		APPROVAL		DATE
U.S.	METRIC	DRAWN	Checked	DATE
.X +/-	0.50	Felix Liu	Tony Tang	04/23/14
.XX +/-	0.30			
.XXX +/-	0.20			
FRACTIONS +/-	5'			
ANGLES +/-				
FOR MATERIALS AND FINISHES SEE NOTES		DRAWING FILE :		
REMOVE SHARP EDGES		ANGLE OF PROJECTION		
DIMENSIONS				
U.S.	INCHES			
METRIC	MM			

Amphenol		Amphenol East Asia Limited
TITLE		
Stamped and formed contact,RR series		
SIZE	DRAWING NO.	REV.
A4	L177RRXXXSVF	3
SCALE	NONE	SHEET 1 OF 1