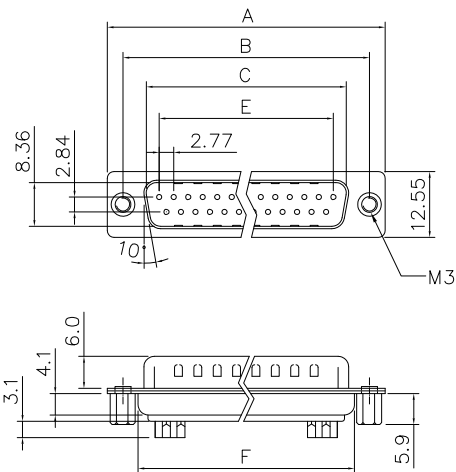


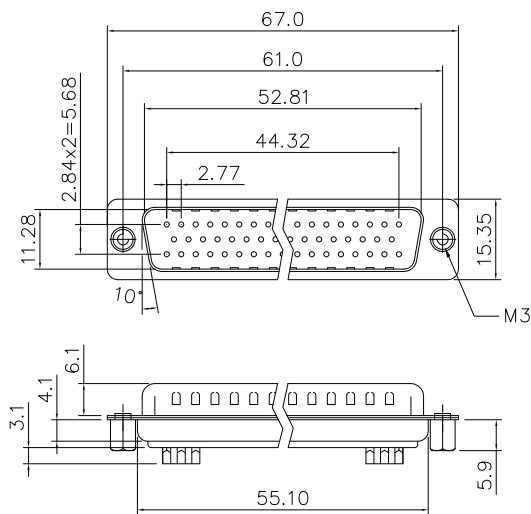
This document is the property of Amphenol Corporation and is delivered on the express condition that it is not to be disclosed, reproduced or used, in whole or in part, for manufacture or sale by anyone other than Amphenol Corporation without its prior consent, & that no right is granted to disclose or to use any information in this document.

Customer drawing



Dimensions

Positions	A	B	C	E	F
9	30.81	24.99	16.92	11.08	19.20
15	39.20	33.30	25.25	19.39	27.70
25	53.04	47.04	38.96	33.24	41.10
37	69.40	63.50	55.42	49.86	57.30



50 Positions

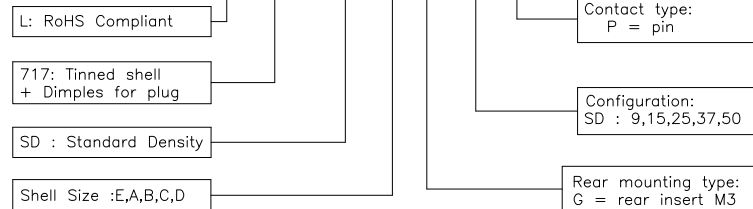
REVISIONS				
SYM	ECN	DESCRIPTION	DATE	APPROVED
1	HK--	First Release Drawing	07/30/09	IP
2	HK--	Update The Drawing	03/21/12	IP
3	HK--	Update The Drawing	01/22/15	IP

D-SUB TECHNICAL DATA

SHELL : Steel, 100u" Tin Over 50u" min nickel over 50u" min Copper
 BODY : Glass-Filled Thermoplastic PBT, UL94V-0, color Black
 CONTACTS : Copper alloy
 Gold Flash over 50u" Nickel on mating area
 100u" Tin over 50u" Nickel on solder area
 REAR NUT: Copper alloy, Nickel Plated
 ELECTRICAL : Voltage rating : 250 V Rms
 Current Rating : 3 AMP
 Withstanding Voltage : 1000 V AC/rms
 Insulation resistance : 1000 MΩ min
 Contact resistance : 20 mΩ max
 MARKING : Amphenol...(Series No.)
 Commercial reference
 Manufacturing date

PRODUCT CODE

L 717 SD X G XX P



UNLESS OTHERWISE SPECIFIED TOLERANCES		APPROVAL		DATE	Amphenol Amphenol East Asia Limited
U.S.	METRIC	DRAWN	Felix Liu	01/22/15	
.X	+/-	0.50	CHECKED	Tony Tang	01/22/15
.XX	+/-	0.30	CHECKED		
.XXX	+/-	0.20			
FRACTIONS +/-		5°	DRAWING FILE :		
ANGLES +/-			ANGLE OF PROJECTION		
FOR MATERIALS AND FINISHES SEE NOTES					
REMOVE SHARP EDGES					
DIMENSIONS		U.S.		INCHES	
METRIC		MM		SCALE NONE	
TITLE		SIZE DRAWING NO.		REV.	
Stamped and formed contact,SD Series		A4 L717SDXGXXP		3	
SHEET 1		OF 1			