

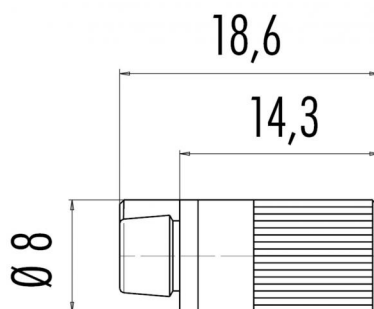
Product description Snap-In IP40 female cable connector, Contacts: 3, 3.6 mm, solder, IP40

Area Snap-In IP40 series 719  
Order number 09 9748 00 03

### Illustration



### Scale drawing



### Contact arrangement (Plug-in side)



|   | X     | Y     |
|---|-------|-------|
| 1 | -1,20 | -0,70 |
| 2 | 0,00  | 1,40  |
| 3 | 1,20  | -0,70 |

You can find the component part drawing on the next page.

## Technical data

### General features

|                           |                               |
|---------------------------|-------------------------------|
| Order number              | 09 9748 00 03                 |
| Connector design          | female cable connector        |
| Version                   | connector female straight     |
| Connector locking system  | snap                          |
| Termination               | solder                        |
| Degree of protection      | IP40                          |
| Cross-sectional area      | 0.25 mm <sup>2</sup> / AWG 24 |
| Cable outlet              | 3.6 mm                        |
| Temperature range from/to | -25 °C / 70 °C                |
| Mechanical operation      | > 100 Mating cycles           |
| Weight (g)                | 0.804                         |
| Customs tariff number     | 85369010                      |

### Declarations of conformity

|                       |  |
|-----------------------|--|
| Low Voltage Directive | 2014/35/EU (EN 60204-1:2018;EN 60529:1991) |
|-----------------------|--|

### Electrical parameters

|                           |                      |
|---------------------------|----------------------|
| Rated voltage             | 60 V                 |
| Rated impulse voltage     | 800 V                |
| Rated current (40 °C)     | 3 A                  |
| Insulation resistance     | ≥ 10 <sup>10</sup> Ω |
| Pollution degree          | I                    |
| Overvoltage category      | II                   |
| Insulating material group | III                  |

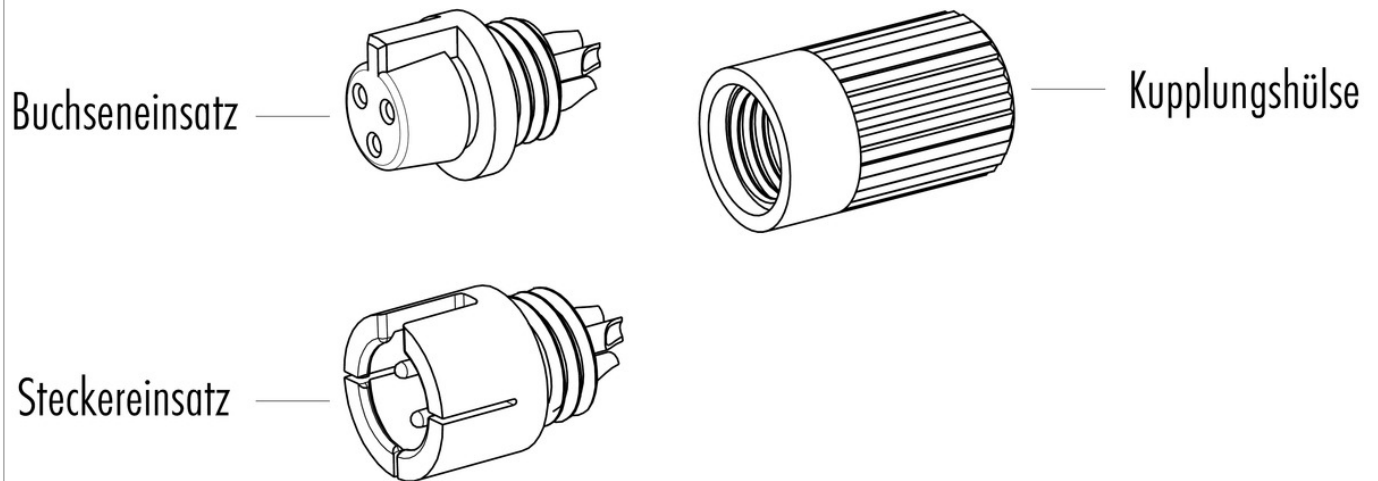
### Material

|                       |                      |
|-----------------------|----------------------|
| Housing material      | PA                   |
| Contact body material | PA                   |
| Contact material      | CuSn (bronze)        |
| Contact plating       | Au (gold)            |
| REACH SVHC            | CAS 7439-92-1 (Lead) |

Product description Snap-In IP40 female cable connector, Contacts: 3, 3.6 mm, solder, IP40

Area Snap-In IP40 series 719  
Order number 09 9748 00 03

### Component part drawing



Product description      **Snap-In IP40 female cable connector, Contacts: 3, 3.6 mm, solder, IP40**

Area                              **Snap-In IP40 series 719**  
Order number                **09 9748 00 03**

## Security notices

The connectors have been developed for applications in plant engineering, control and electrical equipment construction. The user is responsible for checking whether the connectors can also be used in other areas of application.