

Resistance thermometer

Type 342RS

Issue 11/21

Applications

combination of resistance and
glass thermometer for synchronous
measuring and displaying of temperature

Connection head

Form F

Degree of protection

IP 20 acc. DIN EN 60529

Temperature sensor

1 x Pt 100 F0,3 DIN EN 60751
4-wire-circuit

Measuring range

0 °C to 60 °C
0 °C to 120 °C

Protective tube material

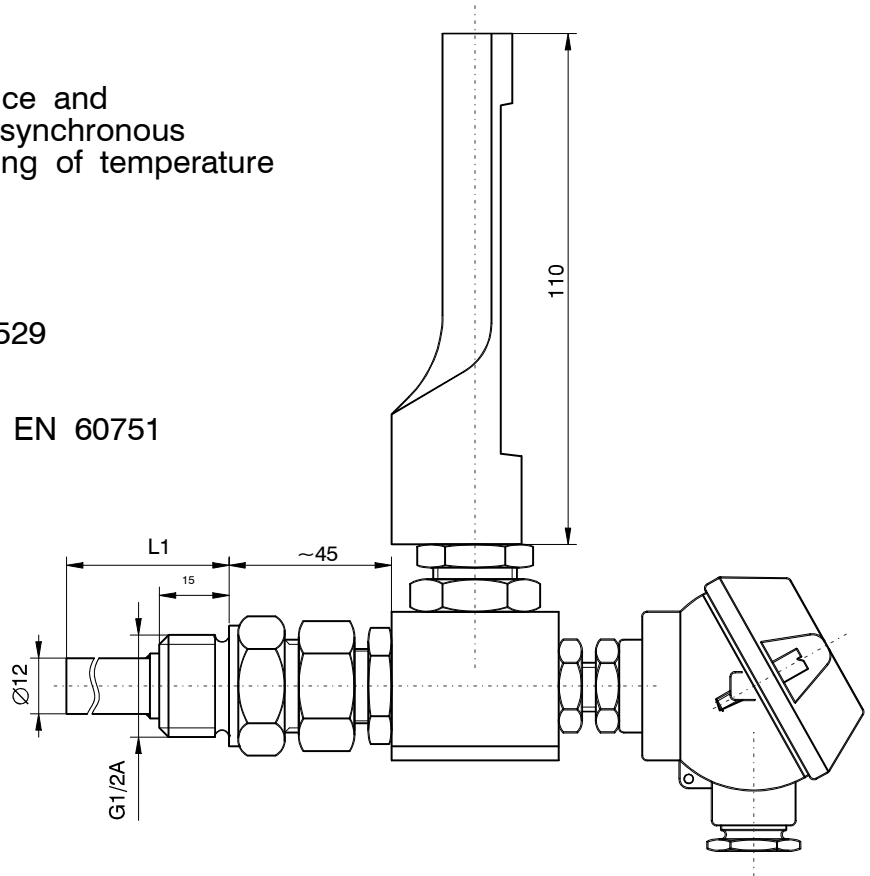
1.4571

Insert length L_1

100 mm

Thread

G1/2 A



Subject to change without notice

Order example

342-SS-100-0/60

D- 99331 Geratal OT Geraberg, Gewerbepark 6

Tel: +49 (0) 3677 / 7956-0 // Fax: +49 (0) 3677 / 795 625

E-Mail: info@electrotherm.de

Internet: www.electrotherm.de