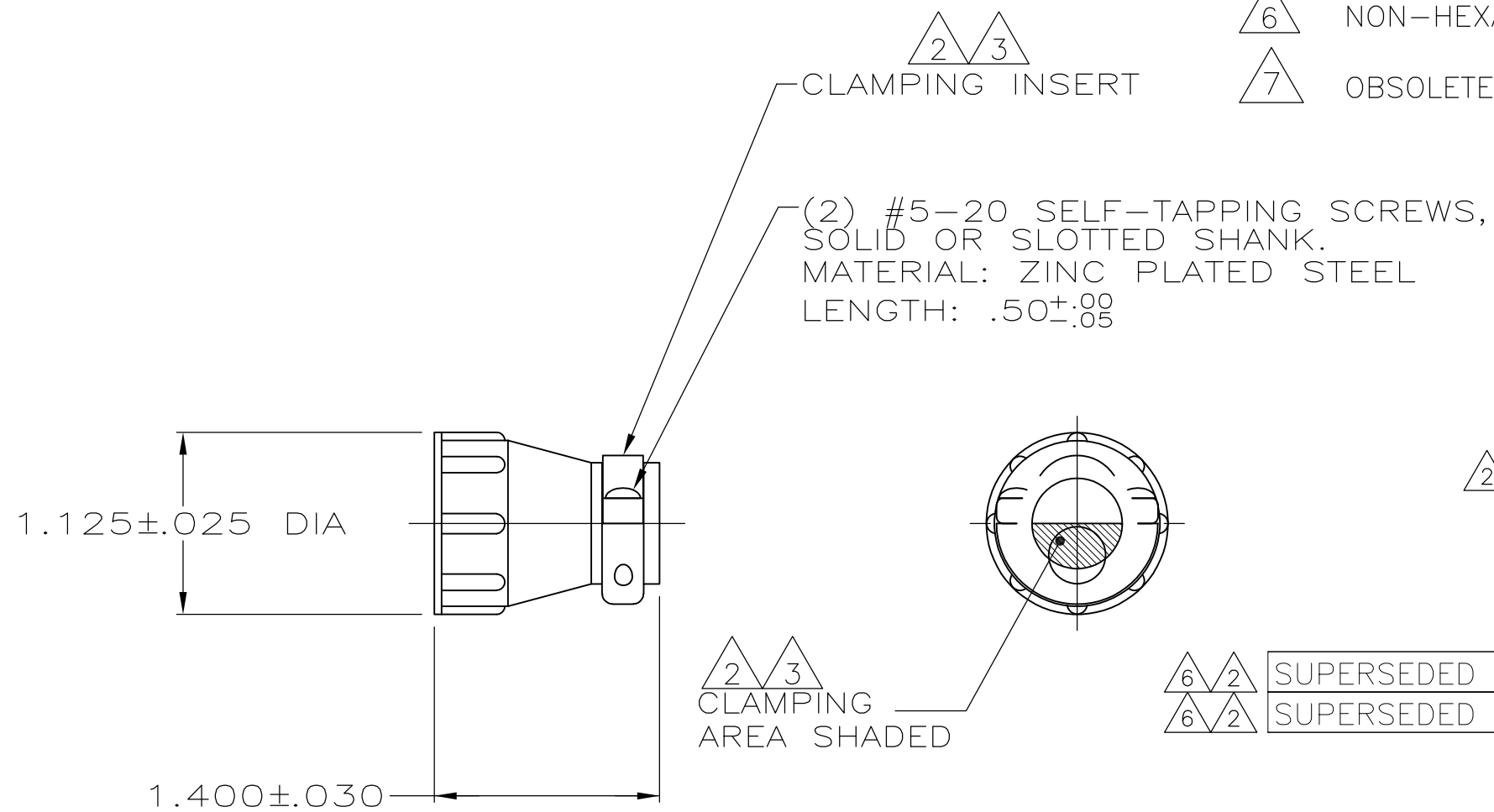


THIS DRAWING IS UNPUBLISHED. RELEASED FOR PUBLICATION
 © COPYRIGHT - By - ALL RIGHTS RESERVED.

LOC	DIST	REVISIONS					
FT	0	P	LTR	DESCRIPTION	DATE	DWN	APVD
			N3	REVISED PER ECO-11-004587	11MAR11	RK	HMR

- 1 PART PACKAGED UNASSEMBLED.
- △2 CABLE CLAMPING AREA ADJUSTABLE FROM .010 TO .161 SQ IN BY REVERSING CLAMPING INSERTS. (2 INSERTS SUPPLIED)
- △3 CABLE CLAMPING AREA ADJUSTABLE FROM .010 TO .161 SQ IN BY CHANGING CLAMPING INSERTS. (4 INSERTS SUPPLIED, -4 ONLY)
- 4 .453 MAXIMUM CABLE OUTSIDE DIAMETER.
- △5 BULK PACKAGED KITS TO BE ORDERED IN MULTIPLES OF 200 ONLY.
- △6 NON-HEXAVALENT CHROMATE FINISH.
- △7 OBSOLETE PARTS: OBSOLETE CIS STREAMLINING PER D.RENAUD/D.SINISI



△6	INDIVIDUAL	1-206070-1
△2 △6 △5	BULK	1-206070-0
△2 △6 △7	OBSOLETE SMALL PACK	206070-9
△2 △6	INDIVIDUAL	206070-8
△6 △7	OBSOLETE INDIVIDUAL	206070-7
△6 △7	OBSOLETE SMALL PACK	206070-6
	OBSOLETE BULK	206070-4
△6 △2	SUPERSEDED BY 1-206070-0	△5 BULK 206070-3
△6 △2	SUPERSEDED BY 206070-8	INDIVIDUAL 206070-1
	PACKAGING	PART NUMBER

THIS DRAWING IS A CONTROLLED DOCUMENT.		DWN	A GRAFF	4/23/91	STE TE Connectivity							
DIMENSIONS: INCHES		CHK	W.G.LENKER	7-22-92				CABLE CLAMP KIT, STANDARD, SHELL SIZE 17, CPC				
TOLERANCES UNLESS OTHERWISE SPECIFIED:		APVD	-	-	NAME							
0 PLC ± -		PRODUCT SPEC		108-10024								
1 PLC ± -		APPLICATION SPEC		-								
2 PLC ± -		WEIGHT		-								
3 PLC ± -		SIZE		A3	CAGE CODE	00779	DRAWING NO	C-206070	RESTRICTED TO	-		
4 PLC ± -		MATERIAL		THERMOPLASTIC		SCALE		NTS	SHEET	1 OF 1	REV	N3
ANGLES ± -		FINISH		-		CUSTOMER DRAWING						