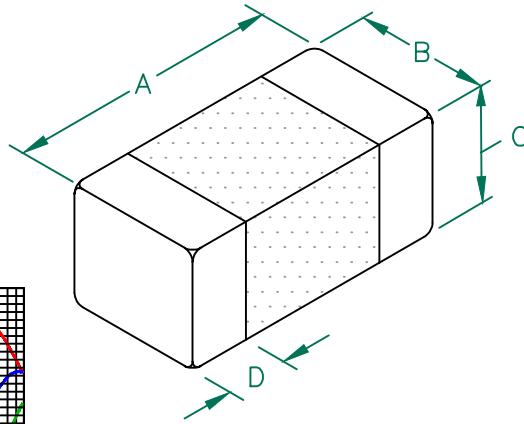


MI0603M121R-10

PHYSICAL DIMENSIONS:

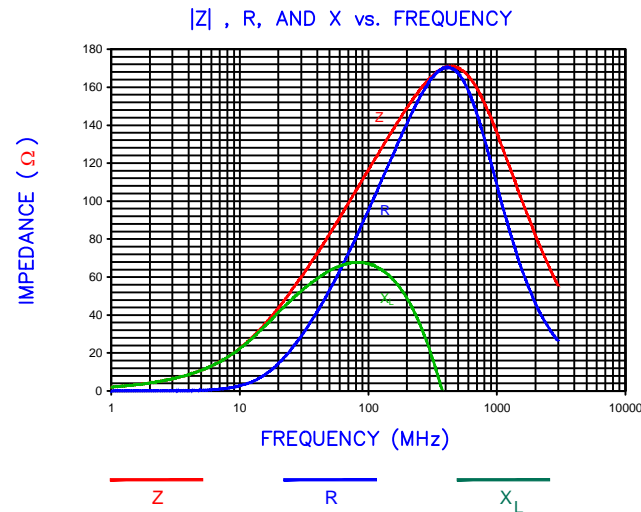
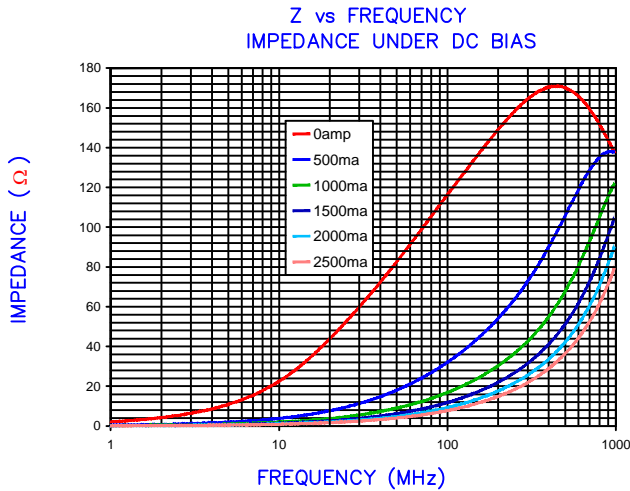
A	1.60 [.063]	\pm 0.15	[.006]
B	0.80 [.031]	\pm 0.15	[.006]
C	0.80 [.031]	\pm 0.15	[.006]
D	0.36 [.014]	\pm 0.15	[.006]



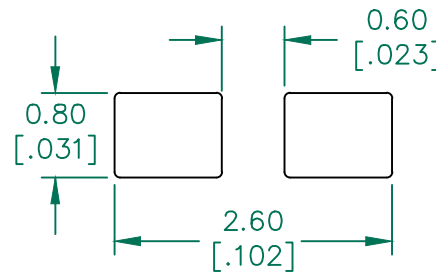
ELECTRICAL CHARACTERISTICS:			
Z @ 100MHz (Ω)	DCR (Ω)	Rated Current	
Nominal	120		
Minimum	90		
Maximum	150	0.05	2500 mA

NOTES: UNLESS OTHERWISE SPECIFIED

1. TAPED AND REELED per CURRENT EIA SPECIFICATIONS 7" REELS, 4000 PCS/REEL.
2. TERMINATION FINISH IS 100% TIN.
3. COMPONENTS SHOULD BE ADEQUATELY PREHEATED BEFORE SOLDERING.
4. OPERATION TEMPERATURE TEMP: $-55^{\circ}\text{C} \sim +125^{\circ}\text{C}$. (INCLUDING SELF-HEATING)
5. COSMETIC SPECIFICATION REFER TO WI-QA-124.

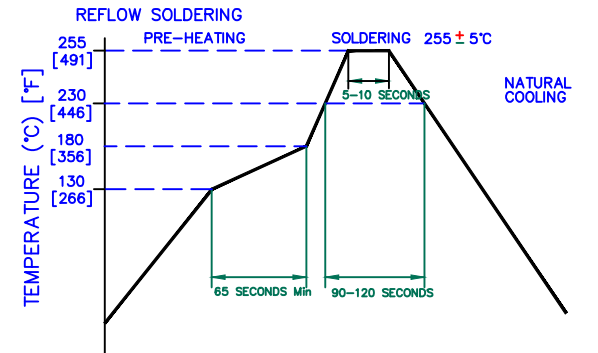


LAND PATTERNS FOR REFLOW SOLDERING



(For wave soldering, add 0.762 [.030] to this dimension)

RECOMMENDED SOLDERING CONDITIONS



DIMENSIONS ARE IN mm [INCHES].				This print is the property of Laird Tech. and is loaned in confidence subject to return upon request and with the understanding that no copies shall be made without the written consent of Laird Tech. All rights to design or invention are reserved.			
D	UPDATED NOTE 4	01/12/18	QU	PROJECT/PART NUMBER:	REV	PART TYPE:	DRAWN BY:
C	ADD OPERATING TEMPERATURE UPDATE LAIRD LOGO AND REFLOW CURVE	08/05/13	QU	MI0603M121R-10	D	CO-FIRE	TMB
B	UPDATE COMPANY LOGO ADD ROHS	07/25/08	JRK	DATE:	SCALE:	SHEET:	
A	ORIGINAL DRAFT	04/05/04	TMB	04/05/04	-	-	1 of 1
REV	DESCRIPTION	DATE	INT	CAD #	TOOL #		
				MI0603M121R-10-D			

Laird

RoHS

Mouser Electronics

Authorized Distributor

Click to View Pricing, Inventory, Delivery & Lifecycle Information:

[Laird Performance Materials:](#)

[MI0603M121R-10](#)