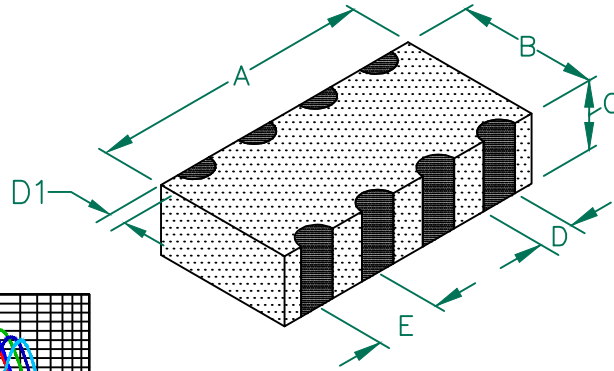


DA1206B601R-10

PHYSICAL DIMENSIONS:

A	3.20 [.126]	+ 0.20 [.008]
B	1.60 [.063]	+ 0.20 [.008]
C	0.80 [.031]	+ 0.20 [.008]
D	0.40 [.016]	+ 0.15 [.006]
D1	0.30 [.012]	+ 0.20 [.008]
E	0.80 [.031]	+ 0.10 [.004]



ELECTRICAL CHARACTERISTICS:

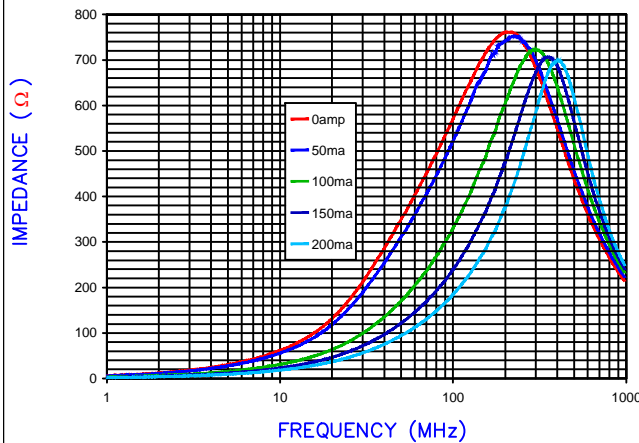
Z @ 100MHz (Ω)	DCR (Ω)	Rated Current
Nominal	600	
Minimum	450	
Maximum	750	200 mA

LINE TO LINE INSULATION RESISTANCE
>100 MΩ AT 75 VOLTS.

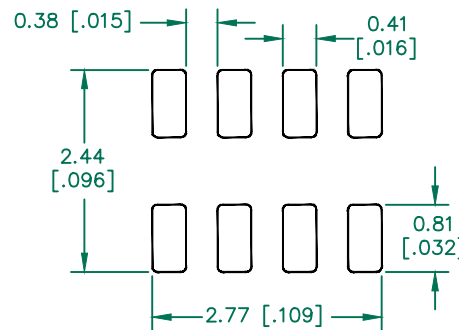
NOTES: UNLESS OTHERWISE SPECIFIED

1. TAPED AND REELED per CURRENT EIA SPECIFICATIONS 7" REELS, 3000 PCS/REEL EMBOSSED PLASTIC TAPE.
2. TERMINATION FINISH IS 100% TIN.
3. COMPONENTS SHOULD BE ADEQUATELY PREHEATED BEFORE SOLDERING.
4. OPERATING TEMPERATURE TEMP: -40°C~+125°C (INCLUDING SELF-HEATING)
5. COSMETIC SPECIFICATION REFER TO WI-QA-124.

Z vs FREQUENCY
IMPEDANCE UNDER DC BIAS

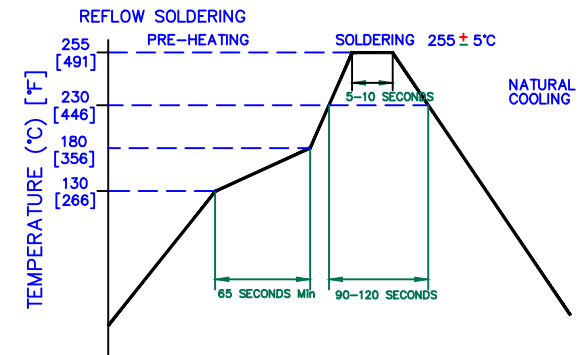


LAND PATTERNS FOR REFLOW SOLDERING

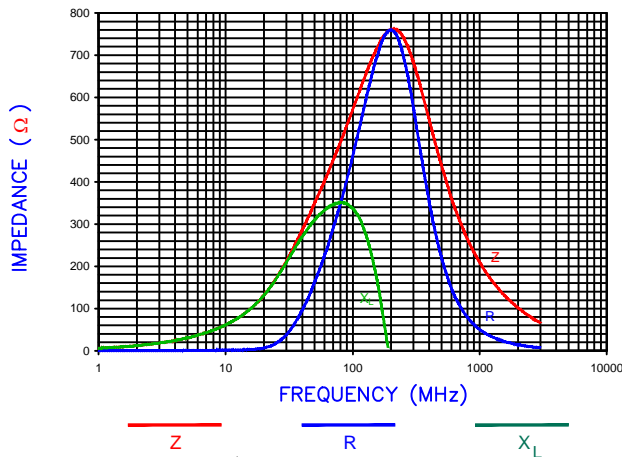


(For wave soldering, add 0.762 (0.030) to this dimension)

RECOMMENDED SOLDERING CONDITIONS



|Z|, R, AND X vs. FREQUENCY



RoHS

DIMENSIONS ARE IN mm [INCHES]				This print is the property of Laird Tech. and is loaned in confidence subject to return upon request and with the understanding that no copies shall be made without the written consent of Laird Tech. All rights to design or invention are reserved.			
E	OPERATING TEMPERATURE UPDATE LAIRD LOGO AND REFLOW CURVE	08/05/13	QU				
D	UPDATE COMPANY LOGO	05/20/09	JRK				
C	D1 dim chgd from 0.008 ±0.004 to 0.012 ± 0.008. UPDATE COMPANY LOGO	10/30/07	JRK				
B	CHANGE DCR, MODIFY NOTE 1 ADD ROHS	11/30/06	JRK				
A	ORIGINAL DRAFT	03/30/04	TMB				
REV	DESCRIPTION	DATE	INT	PROJECT/PART NUMBER: DA1206B601R-10	REV E	PART TYPE: CO-FIRE	DRAWN BY: TMB
				DATE: 03/30/04	SCALE: NTS	SHEET: 1 of 1	
				CAD # DA1206B601R-10-E	TOOL # -		

Mouser Electronics

Authorized Distributor

Click to View Pricing, Inventory, Delivery & Lifecycle Information:

[Laird Performance Materials:](#)

[DA1206B601R-10](#)