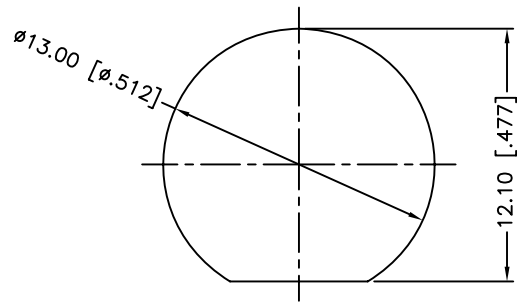
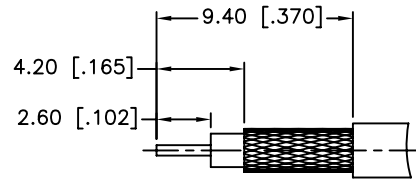


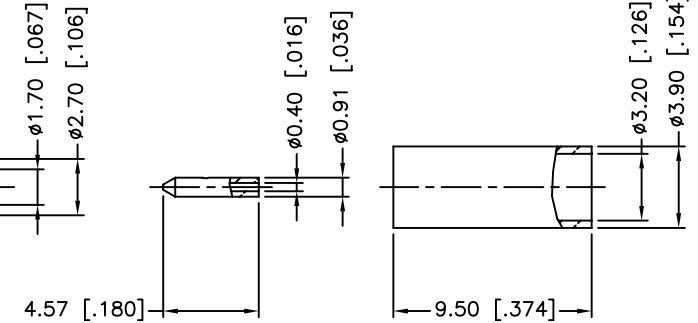
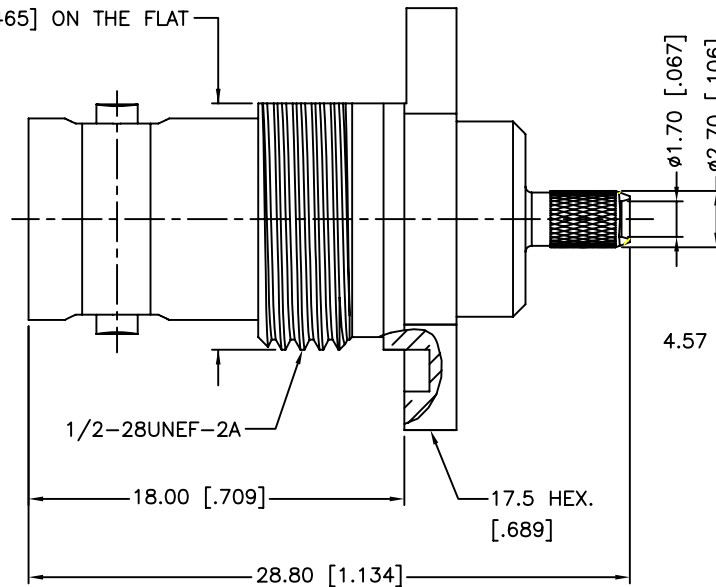
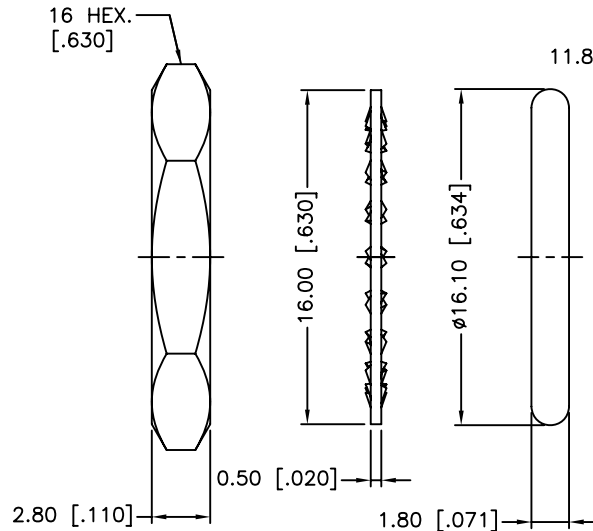
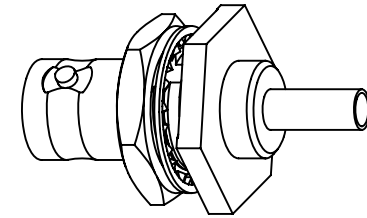
| REV. | DATE | ECR NO. | DESCRIPTION |
|------|----------|---------|---|
| NC | 10/15/10 | XXXXXX | INITIAL RELEASE |
| A | 11/14/13 | 2557 | CHANGE MOUNTING HARDWARE TO PASSIVATED STAINLESS STEEL, ADD ELECTRICAL/MECHANICAL NOTES, UPDATED DRAWING FORMAT |



RECOMMENDED MOUNTING HOLE



RECOMMENDED CABLE STRIPPING DIM'S



1. IMPEDANCE: 75 OHM
2. FREQUENCY RANGE: 0-2 GHZ
3. DIELECTRIC WITHSTANDING VOLTAGE: 900 VRMS, MIN.
4. DURABILITY: 500 CYCLES MIN.
5. TEMPERATURE RANGE: -65°C TO +165°C
6. CRIMPED FERRULE
HEX. CRIMP SIZE .128"
7. CRIMPED CONTACT PIN
USE 4-WAY INDENT CRIMP TOOL #47025
8. MAX. PANEL THICKNESS=3.5mm

| QTY | DESCRIPTION | MATERIAL | FINISH |
|-----|----------------|-----------------|------------|
| 1 | HEX NUT | STAINLESS STEEL | PASSIVATED |
| 1 | LOCK WASHER | STAINLESS STEEL | PASSIVATED |
| 1 | GASKET | SILICONE RUBBER | RED |
| 1 | FERRULE | BRASS | NICKEL |
| 1 | CONTACT PIN | BRASS | GOLD |
| 1 | RETAINING RING | BRASS | NICKEL |
| 1 | CONTACT PIN | PHOSPHOR BRONZE | GOLD |
| 1 | GASKET | SILICONE RUBBER | RED |
| 1 | INSULATOR | PTFE | NATURAL |
| 1 | BODY | BRASS | NICKEL |
| QTY | DESCRIPTION | MATERIAL | FINISH |

UNLESS OTHERWISE SPECIFIED DIMENSIONS ARE IN MILLIMETERS. DIMENSIONS IN [] ARE IN INCHES AND FOR CUSTOMER REFERENCE ONLY.
 TOLERANCES FOR MILLIMETERS ARE:
 <0.5 ± 0.05mm
 0.5 - 6mm ± 0.10mm
 6 - 30mm ± 0.20mm
 30 - 120mm ± 0.30mm
 ANGLES ± 1°
 UNLESS OTHERWISE SPECIFIED TOLERANCES FOR INCHES ARE:
 <.020 ± 0.002"
 .020 - .236 ± 0.004"
 .236 - 1.180 ± 0.007"
 1.180 - 4.724 ± 0.012"
 ANGLES ± 1°
 DO NOT SCALE DRAWING

| APPROVALS | DATE |
|----------------------------------|----------|
| DRAWN M.ZHANG | 11/14/13 |
| CHECKED | |
| ISSUED | |
| SHEET 1 OF 1 | |
| CAD FILE C:/CONNEX/112235-12.DWG | |

| PART DESCRIPTION | | | |
|--|---------------|-----------|----|
| Amphenol Connex | | | |
| 75 OHM BNC BULKHEAD CRIMP JACK IP-67 COMPLIANT (FOR RG-179/U CABLE) | | | |
| PART NO. | | 112235-12 | |
| DWG. NO. | 112235-12.DWG | REV. | A |
| SIZE | A | SCALE | NA |

Mouser Electronics

Authorized Distributor

Click to View Pricing, Inventory, Delivery & Lifecycle Information:

[Amphenol:](#)

[112235-12](#)