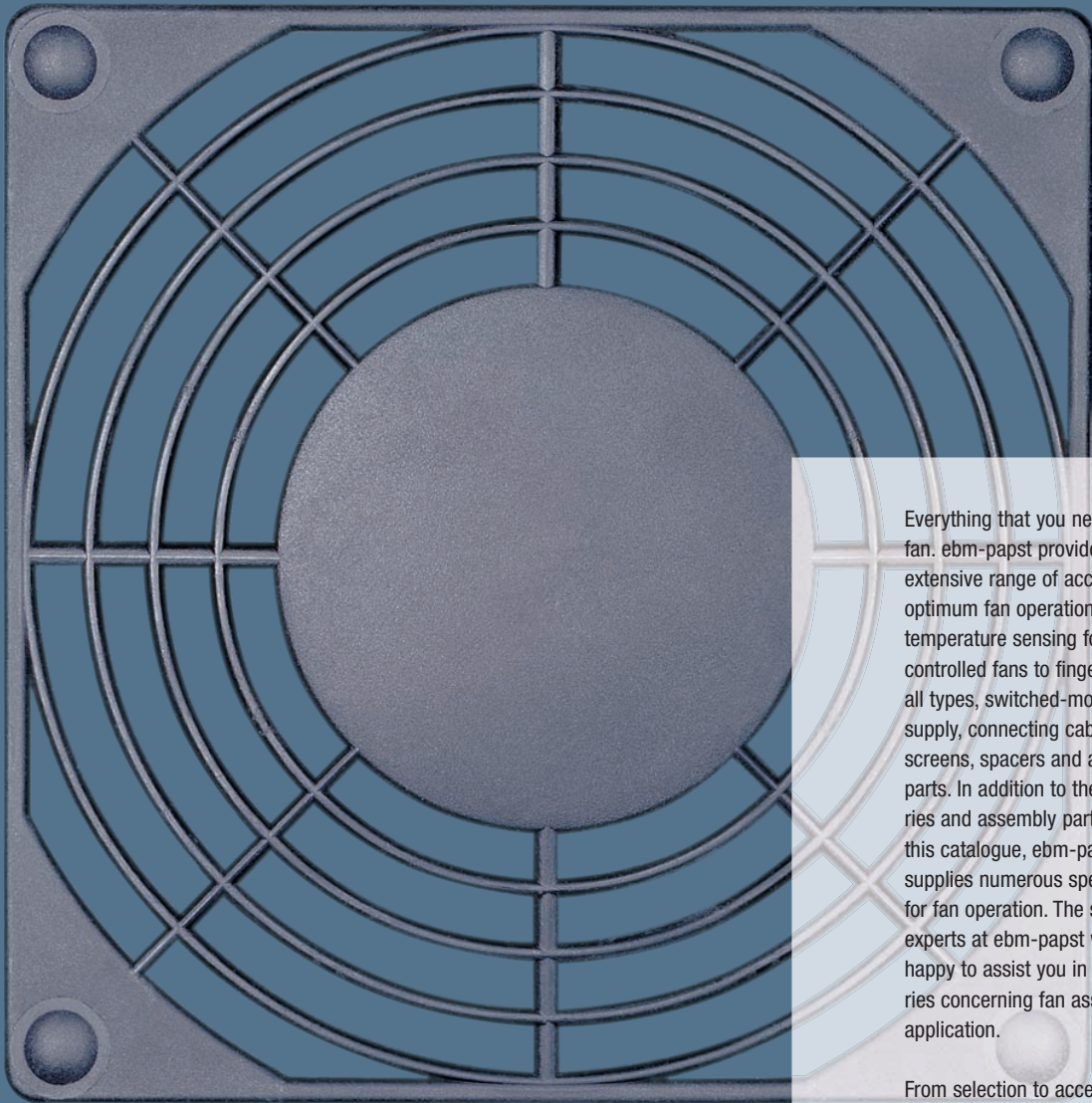


Accessories

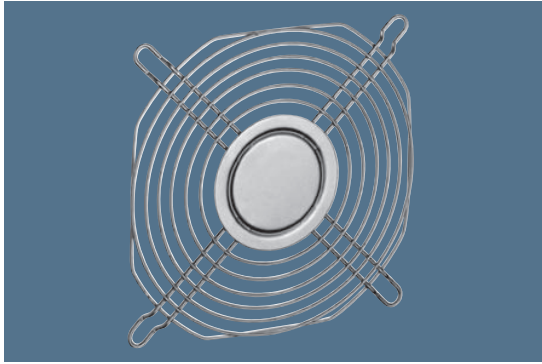
Guard grilles	174
Fan filter guard grilles	180
Inlet nozzles	182
Connection cables / Accessories	183



Everything that you need for your fan. ebm-papst provides an extensive range of accessories for optimum fan operation: From temperature sensing for speed-controlled fans to finger guards of all types, switched-mode power supply, connecting cable, filter, screens, spacers and assembly parts. In addition to the accessories and assembly parts listed in this catalogue, ebm-papst also supplies numerous special parts for fan operation. The sales experts at ebm-papst will be happy to assist you in your enquiries concerning fan assembly and application.

From selection to accessories: Insist on the efficient and reliable service provided by ebm-papst.

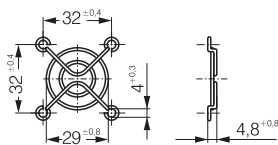
Guard grilles



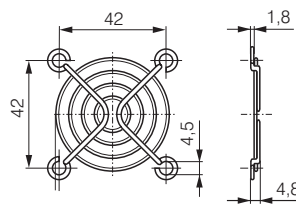
- Guard grille acc. to DIN EN ISO 13857 (previously EN 294), made of galvanised or nickel-plated and passivated steel wire for device fans.
- Additional guard grilles that do not conform to DIN EN ISO 13857 are available on request.
- Our guard grilles are specially designed for use with ebm-papst fans. Their design ensures maximum safety with minimum effect on the operating noise level. Note that when using guard grilles from other manufacturers, compliance with safety-related distances will not always be present.

Fan series	Guard grilles	Fan series	Guard grilles	Fan series	Guard grilles
400	LZ29-1	5600	LZ25	DV 6200	LZ37 Intake side
500	LZ31	5200	LZ35	DV 6200	LZ39 Outlet side
600	LZ28-1	5300	LZ53	DV 6400	LZ38 Intake side
3000	LZ23-1	5900	LZ35	DV 6400	LZ39 Outlet side
8000	LZ32-4 / LZ22-2	7000	LZ36		
9000	LZ30-4 / LZ 30	6300	LZ37		
4000	LZ30-4 / LZ 30	6400	LZ38		
5100	LZ25	2200F	LZ22		

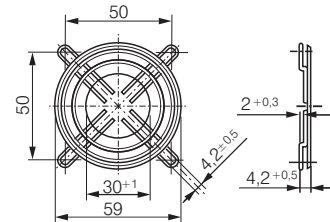
LZ29-1 Fan size 40 x 40



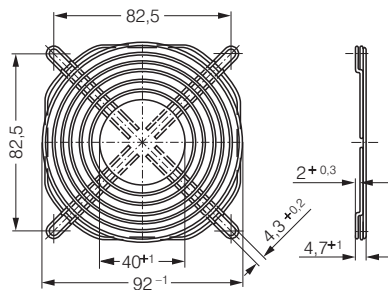
LZ31 Fan size 50 x 50



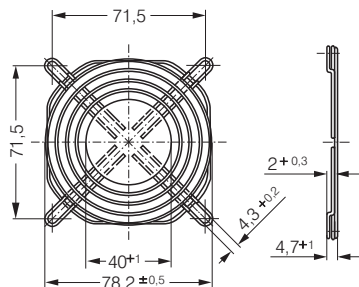
LZ28-1 Fan size 60 x 60



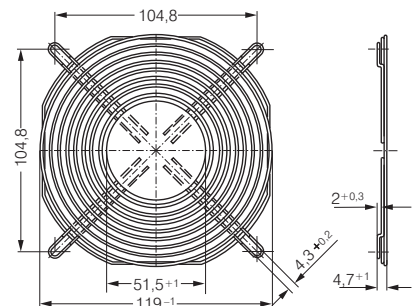
LZ23-1 Fan size 92 x 92

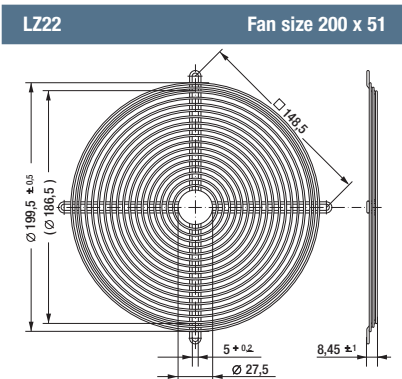
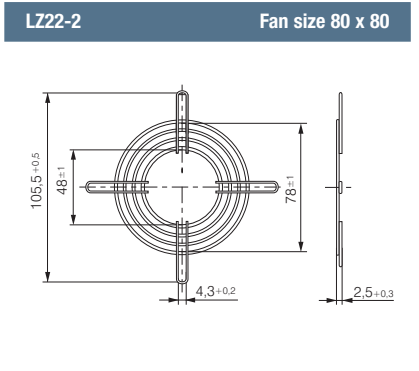
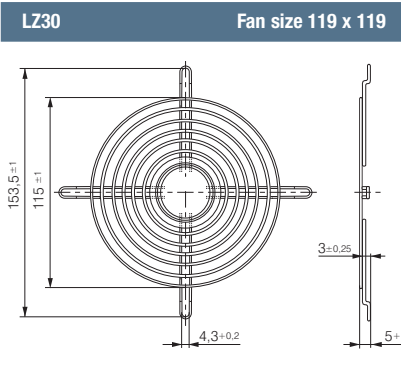
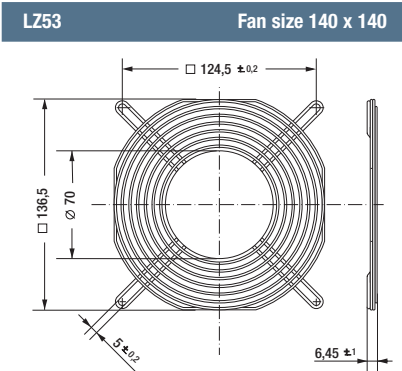
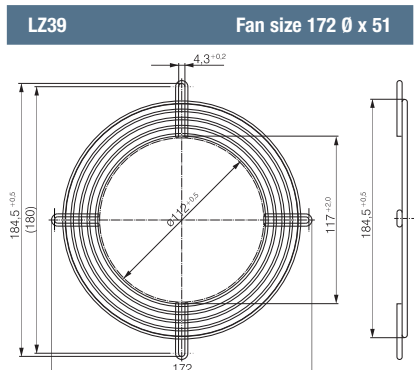
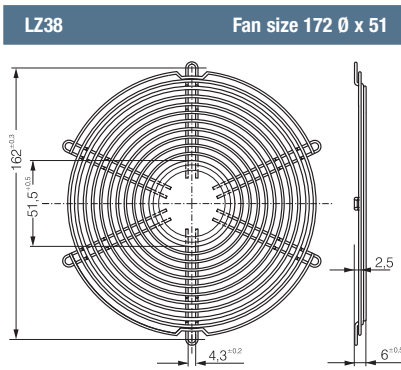
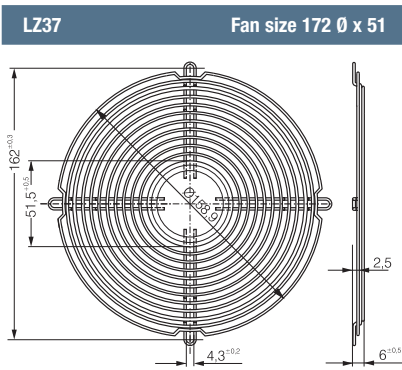
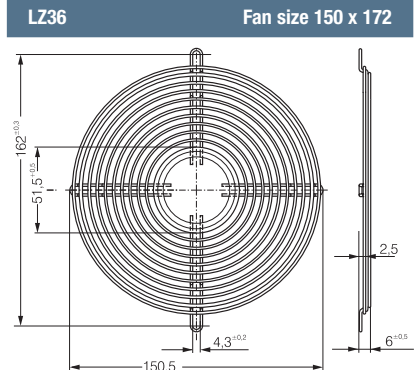
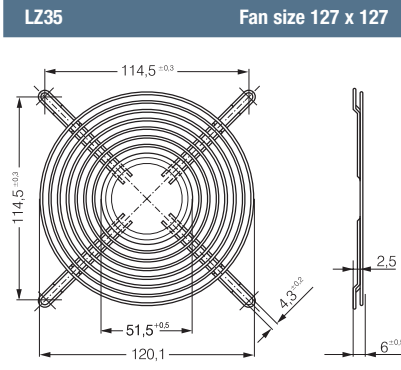
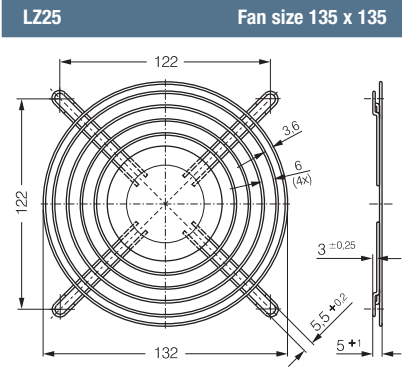


LZ32-4 Fan size 80 x 80



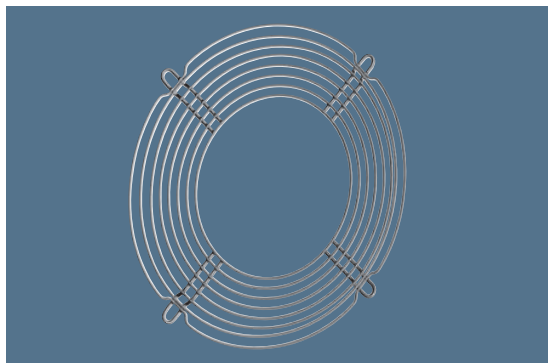
LZ30-4 Fan size 119 x 119





ACmaxx guard grilles

- Guard grille acc. to DIN EN ISO 13857 (previously EN 294), made of galvanised or nickel-plated and passivated steel wire for device fans.
- The guard grilles shown on this page are designed specially for ACmaxx series fans and are installed on the outlet side.

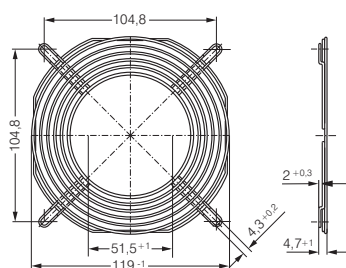


Fan series	Guard grilles	Intake side	s.P.174
AC 8300	LZ32-4	Intake side	s.P.174
AC 8300 H	LZ32-7	Outlet side	
AC 3200 J	LZ23-1	Intake side	s.P.174
AC 3200 J	LZ23-6	Outlet side	
AC 4400 FN	LZ30-4	Intake side	s.P.174
AC 4400 FN	LZ30-9	Outlet side	
AC 4300	LZ30-4	Intake side	s.P.174
AC 4300	LZ30-9	Outlet side	
ACi 4400	LZ30	Intake side	s.P.175
ACi 4400	LZ30	Outlet side	s.P.175

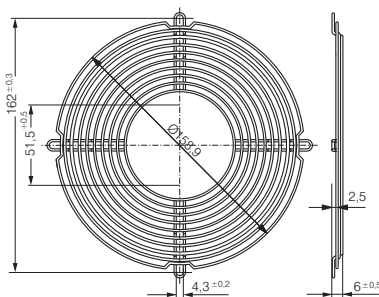
Fan series	Guard grilles	Intake side	s.P.175
AC 6200 N	LZ37	Intake side	s.P.175
AC 6200 N	LZ37-2	Outlet side	
AC 6100 N	LZ37	Intake side	s.P.175
AC 6100 N	*	Outlet side	

*Outlet-side grilles on request

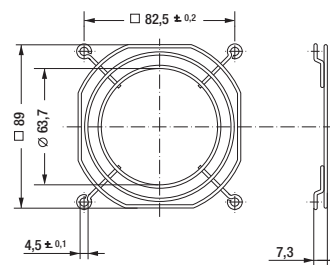
LZ30-9 Fan size 119 X 119



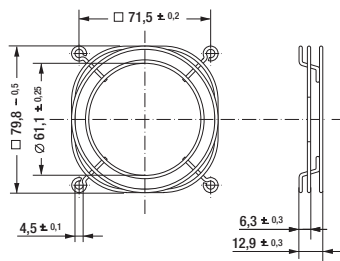
LZ37-2 Fan size 172 Ø X 51



LZ23-6 Fan size 92 x 92



LZ32-7 Fan size 80 x 80



Mouser Electronics

Authorized Distributor

Click to View Pricing, Inventory, Delivery & Lifecycle Information:

[ebm-papst:](#)

[LZ30-4](#)