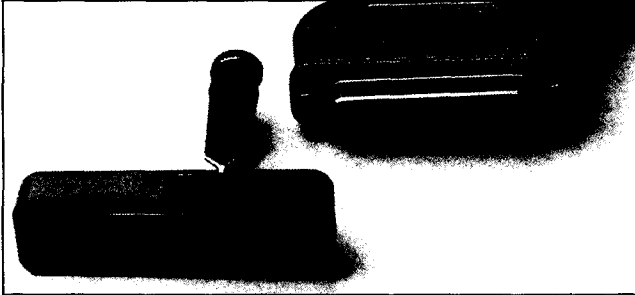
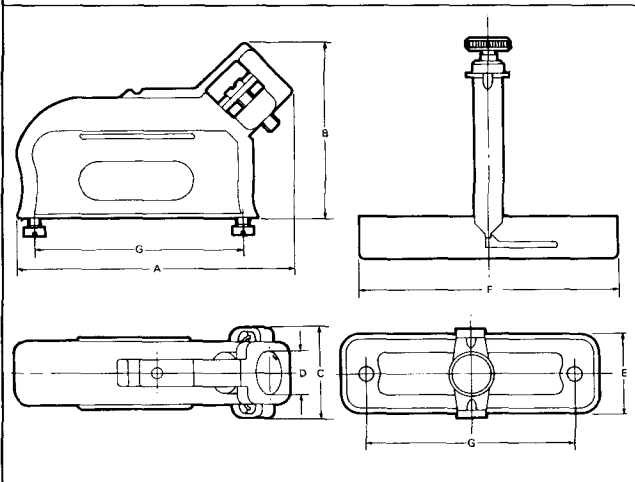




Cinch Hoods & Die Cast Base Retainers



- BT 217 approved
- Solid die cast construction
- Positive termination of screen using pre-tapped hole
- Cover may be used with slide locks or base retainer



Shell Size	Dimensions (mm)						
	A	B	C	D max	E	F	G
E	40,4	33,5	20,6	9,52	18,0	35,7	24,99
A	48,4	33,5	20,6	9,52	18,0	44,4	33,32
B	60,0	39,5	20,6	9,52	18,0	58,0	47,04
C	76,4	39,5	20,6	9,52	18,0	74,6	63,50
D	74,9	39,9	23,4	12,70	20,8	72,0	61,11

Shell Size	Standard Hoods with 6BA Screws	Hoods with Mounting Holes Tapped 4-40 UNC for use with Slide Locks	Base Retainer Part Number Screw Down Version	Base Retainer Part Number Spring Clip Version
E	217-9H	217-9HT	217-9RTB	217-9R
A	217-15H	217-15HT	217-15RTB	217-15R
B	217-25H	217-25HT	217-25RTB	217-25R
C	217-37H	217-37HT	217-37RTB	217-37R
D	217-50H	217-50HT	217-50RTB	217-50R