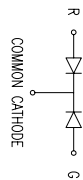
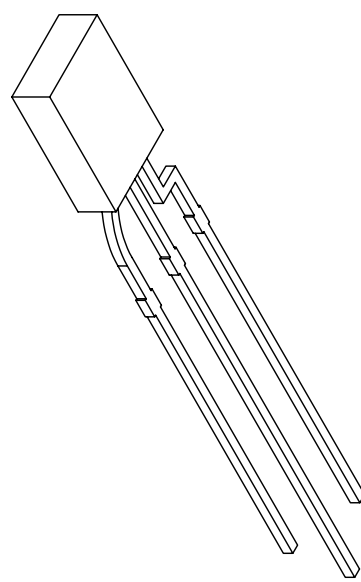
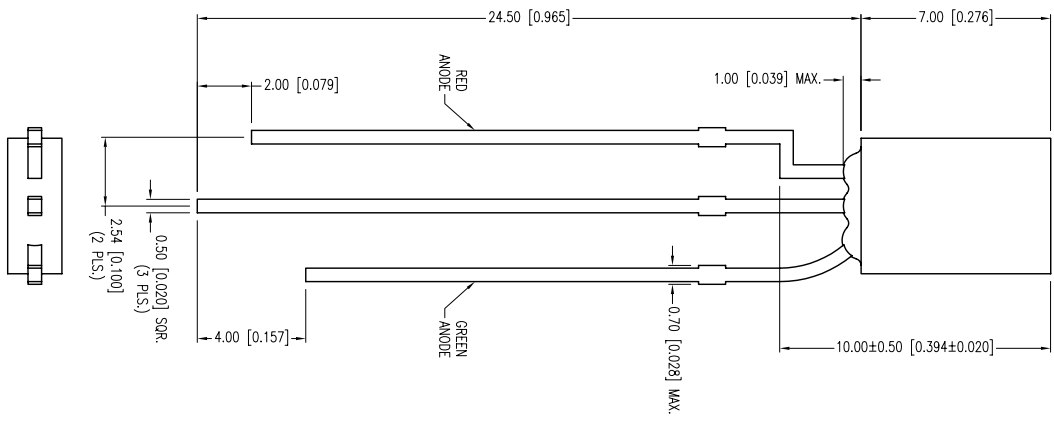
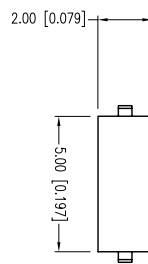


PART NUMBER	SSL-LX25791GW	REV.	B
DATE	01.12.95	REV.	A
UPDATED SPECS., ADDED LEADS IN TOP VIEW.		REV.	A
E.C.N. #10BRDR. & REDRAWN.		REV.	B



ELECTRO-OPTICAL CHARACTERISTICS $T_c=25^\circ\text{C}$, $I_f=20\text{mA}$

PARAMETER	MIN	TP	MAX	UNITS	TEST COND
PEAK WAVELENGTH		635/565		nm	
FORWARD VOLTAGE		2.1	2.8	V _f	$I_f=100\mu\text{A}$
REVERSE VOLTAGE	5.0			V _r	mod
AXIAL INTENSITY		14/8		mcd	$I_f=20\text{mA}$
VIEWING ANGLE		110		2x theta	
EMITTED COLOR:		RED/GREEN			
LENS FINISH:		MILKY WHITE DIFFUSED			

LIMITS OF SAFE OPERATION AT 25°C

PARAMETER	MAX	UNITS
PEAK FORWARD CURRENT*	150	mA
STEADY CURRENT (R/G)	30/25	mA
POWER DISSIPATION	105	mW
DERATE FROM 25°C	-1.2	mW/°C
OPERATING TEMP.	-40 TO +85	°C
STORAGE TEMP.	-40 TO +95	°C
SOLDERING TEMP.:	+260	°C
2.0mm FROM BODY	3	SEC.

* I_T10/95

*UNLESS OTHERWISE SPECIFIED TOLERANCES PER DECIMAL PRECISION ARE: X=±1 (±0.039), X.X=±0.5 (±0.020), X.XX=±0.25 (±0.010), X.XXX=±0.127 (±0.005), LEAD SIZE=±0.05 (±0.002), LEAD LENGTH=±0.75 (±0.030), MIN.= -0.00, DECIMAL PRECISION MAX.= +0.00, DECIMAL PRECISION

UNCONTROLLED DOCUMENT

LUMEX
 Creating LED and LCD Solutions Together™
 290 E. HELEN ROAD
 PALMATE, IL 60067-6976
 PHONE: +1.847.359.2790
 FAX: +1.847.359.6538
 WEB: WWW.LUMEX.COM
 MEMBER OF TMV PHOTONICS GROUP

2x5mm RECTANGULAR LED, 635/565nm RED/GREEN, MILKY WHITE DIFFUSED.
 THE SPECIFICATIONS MAY CHANGE AT ANY TIME WITHOUT NOTICE DUE TO NEW MATERIALS OR PRODUCT IMPROVEMENT.
 CONFIDENTIAL INFORMATION
 THE INFORMATION CONTAINED IN THIS DOCUMENT IS THE PROPERTY OF LUMEX INC. EXCEPT AS SPECIFICALLY AUTHORIZED IN WRITING BY LUMEX INC., THE HOLDER OF THIS DOCUMENT SHALL KEEP ALL INFORMATION CONTAINED HEREIN CONFIDENTIAL AND SHALL PROTECT SAME IN WHOLE OR IN PART FROM DISCLOSURE AND DISSEMINATION TO ALL THIRD PARTIES.

DATE:	03.08.12	DRAWN BY:	AB
PAGE:	1 OF 1	CHKD BY:	DT
SCALE:	NTS	APRVD BY:	DT
UNIT:	mm [INCH]		