

# Automotive Power Management IC PMIC for Automotive Camera

## BD86852MUF-C

### General Description

BD86852MUF-C is a power management IC with primary buck converter (DC/DC1), secondary buck converters (DC/DC2 and DC/DC3), external linear regulator control block and the power-on reset function for CMOS sensor and image sensing power supply. Output voltage and sequence are selectable and applicable to various image sensor power supply.

This device adopts small package VQFN24FV4040 which is optimal for camera module. In addition, this device has a pin that can be programmed to turn on/off the spread spectrum providing a lower noise regulated outputs.

### Features

- AEC-Q100 Qualified<sup>(Note 1)</sup>
- Functional Safety Supportive Automotive Products
- Primary DC/DC (VO1)  
DC/DC with built-in FET  
High Efficiency with Synchronous Rectification
- Dual Secondary DC/DC (VO2, VO3)  
DC/DC with built-in FET  
High Efficiency with Synchronous Rectification
- Each Protection Function
- Spread Spectrum for EMC
- Fail Detection Pin (for each output)
- Selectable Output Voltage and Sequence

(Note 1) Grade 1

### Key Specifications

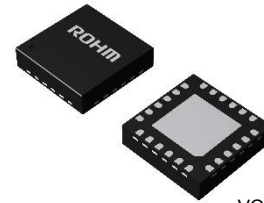
- Power Supply Voltage Rating: 20 V (Max)
- Power Supply Voltage Range: 4.0 V to 18 V
- Output Voltage:
  - VO1: 3.3 V or 3.9 V (±2 %)
  - VO2: 1.1 V or 1.2 V (±2 %)
  - VO3: 1.8 V (±2 %)
- Output Current:
  - VO1: 2 A (Max)
  - VO2: 1 A (Max)
  - VO3: 1 A (Max)
- Switching Frequency: 2.2 MHz (±200 kHz)
- Stand-by Current: 0 μA (Typ)
- Operating Ambient Temperature Range: -40 °C to +125 °C

### Package

VQFN24FV4040

W (Typ) x D (Typ) x H (Max)

4.0 mm x 4.0 mm x 1.0 mm

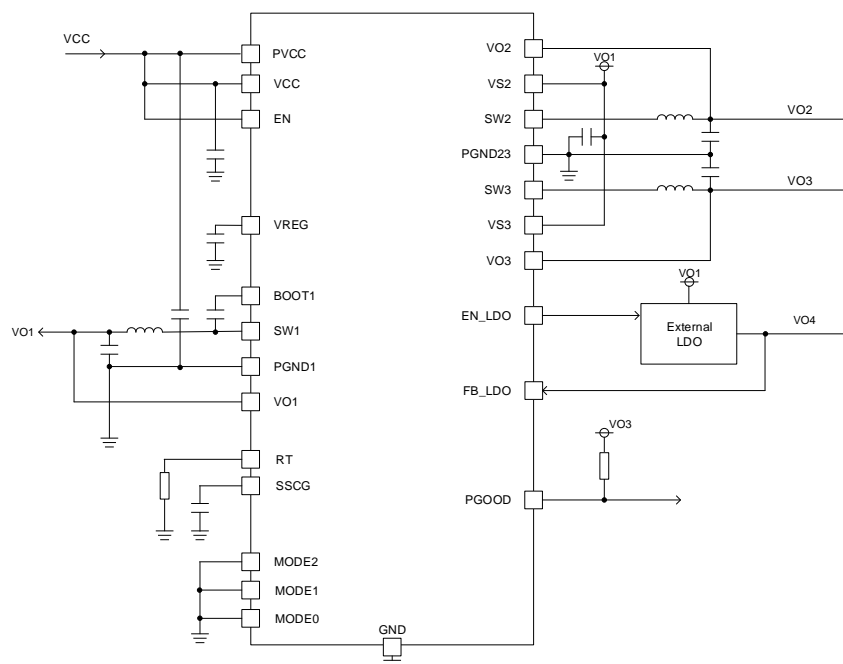


VQFN24FV4040  
Wettable Flank Package

### Applications

- ADAS
- Camera System (Automotive Camera and Security Camera) using CMOS Sensor

### Typical Application Circuit

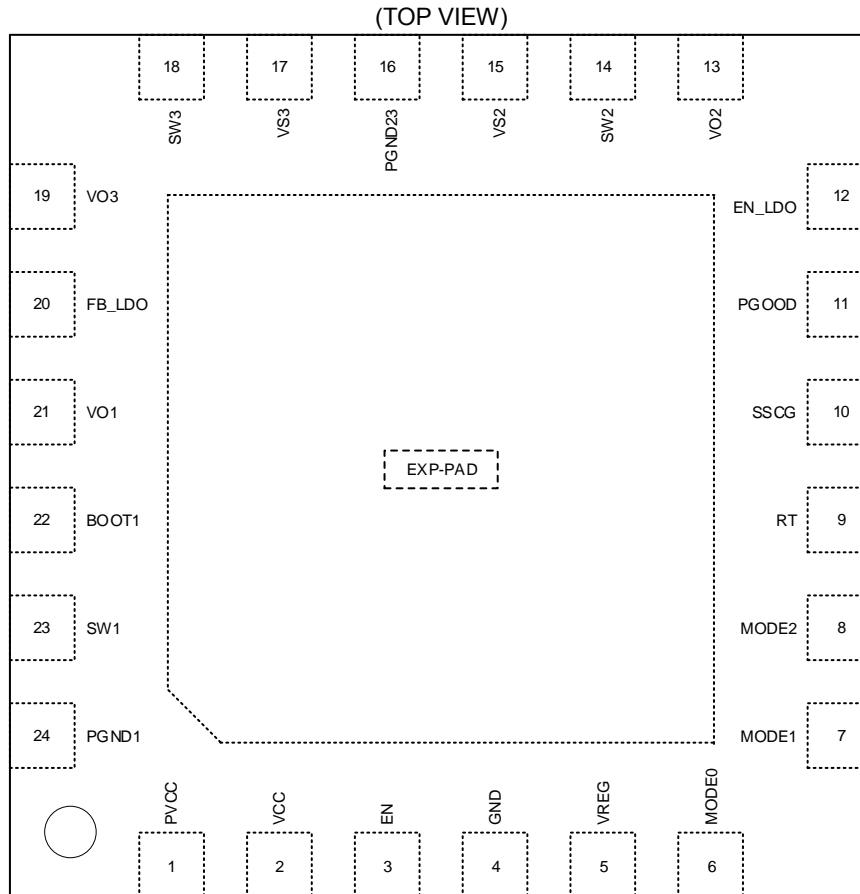


○Product structure: Silicon integrated circuit ○This product has no designed protection against radioactive rays.

**Contents**

|                                                  |    |
|--------------------------------------------------|----|
| General Description .....                        | 1  |
| Features.....                                    | 1  |
| Key Specifications .....                         | 1  |
| Package.....                                     | 1  |
| Applications .....                               | 1  |
| Typical Application Circuit .....                | 1  |
| Contents .....                                   | 2  |
| Pin Configuration .....                          | 3  |
| Pin Descriptions.....                            | 3  |
| Block Diagrams.....                              | 4  |
| Description of Blocks .....                      | 6  |
| Absolute Maximum Ratings .....                   | 11 |
| Thermal Resistance.....                          | 11 |
| Recommended Operating Conditions.....            | 12 |
| Electrical Characteristics.....                  | 12 |
| Typical Performance Curves.....                  | 15 |
| Function Explanations .....                      | 19 |
| Application Examples .....                       | 24 |
| Power Loss .....                                 | 37 |
| Operational Notes.....                           | 38 |
| Ordering Information.....                        | 41 |
| Marking Diagrams.....                            | 41 |
| Physical Dimension and Packing Information ..... | 42 |
| Revision History.....                            | 43 |

## Pin Configuration



## Pin Descriptions

| Pin No. | Pin Name | Function                                                 | Pin No. | Pin Name | Function                                      |
|---------|----------|----------------------------------------------------------|---------|----------|-----------------------------------------------|
| 1       | PVCC     | Power supply for DC/DC1                                  | 13      | VO2      | DC/DC2 output voltage feedback                |
| 2       | VCC      | Power supply                                             | 14      | SW2      | DC/DC2 switching output                       |
| 3       | EN       | Enable control input                                     | 15      | VS2      | Power supply for DC/DC2                       |
| 4       | GND      | Ground                                                   | 16      | PGND23   | Power ground for DC/DC2 and DC/DC3            |
| 5       | VREG     | Internal regulator output                                | 17      | VS3      | Power supply for DC/DC3                       |
| 6       | MODE0    | Mode select 0 <sup>(Note 1)</sup>                        | 18      | SW3      | DC/DC3 switching output                       |
| 7       | MODE1    | Mode select 1 <sup>(Note 1)</sup>                        | 19      | VO3      | DC/DC3 output voltage feedback                |
| 8       | MODE2    | Mode select 2 <sup>(Note 1)</sup>                        | 20      | FB_LDO   | External LDO voltage feedback                 |
| 9       | RT       | Adjust switching frequency                               | 21      | VO1      | DC/DC1 output voltage feedback                |
| 10      | SSCG     | SSCG setting <sup>(Note 2)</sup>                         | 22      | BOOT1    | DC/DC1 high side driver supply pin            |
| 11      | PGOOD    | Power Good <sup>(Note 3)</sup><br>(N-channel open-drain) | 23      | SW1      | DC/DC1 switching output                       |
| 12      | EN_LDO   | External LDO enable control output                       | 24      | PGND1    | Power ground for DC/DC1                       |
| -       | -        | -                                                        | -       | EXP-PAD  | The EXP-PAD connect to GND, PGND1 and PGND23. |

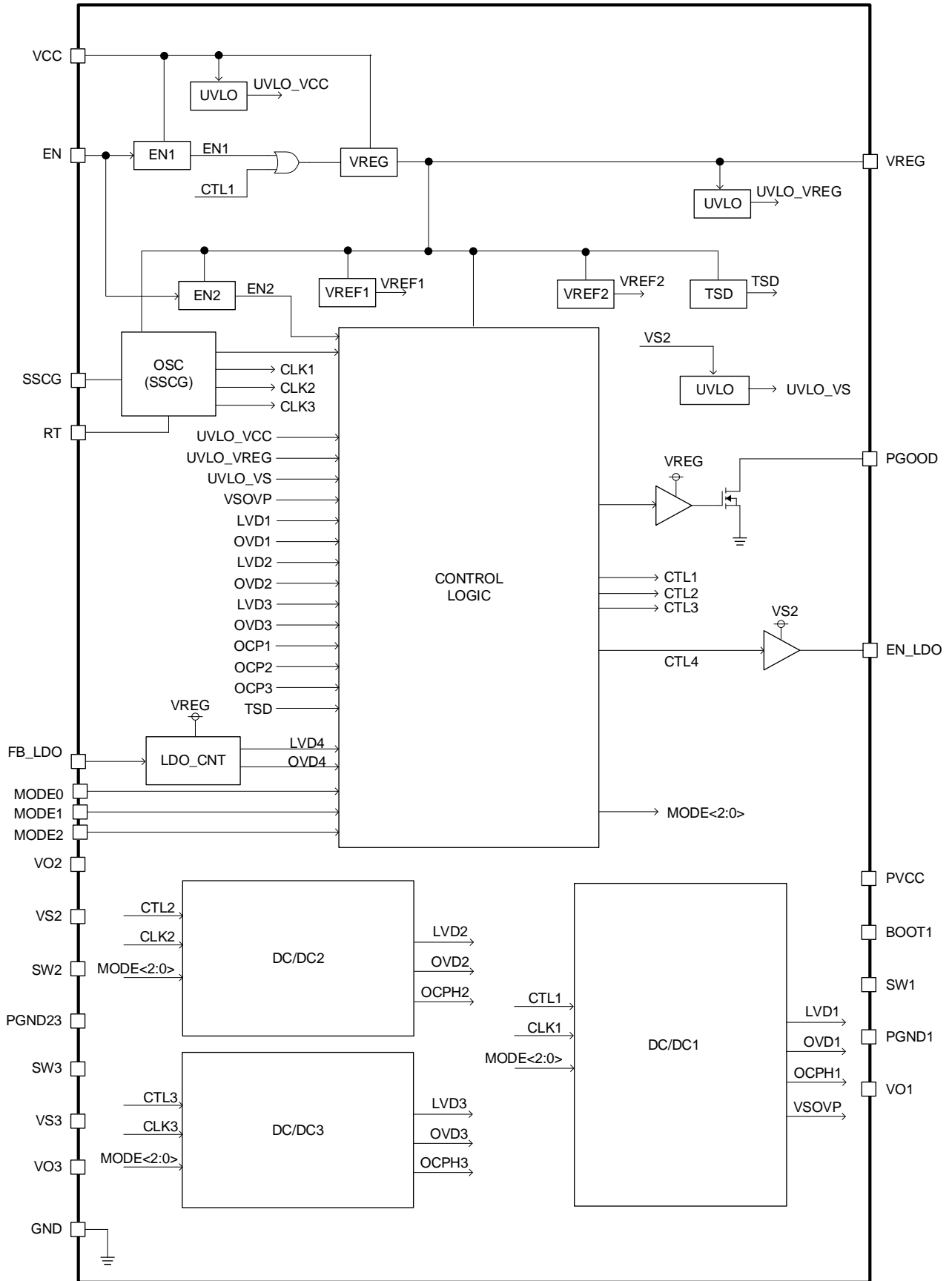
(Note 1) Connect to the GND pin or the VREG pin.

(Note 2) If not in use, connect to the GND pin.

(Note 3) If not in use, open.

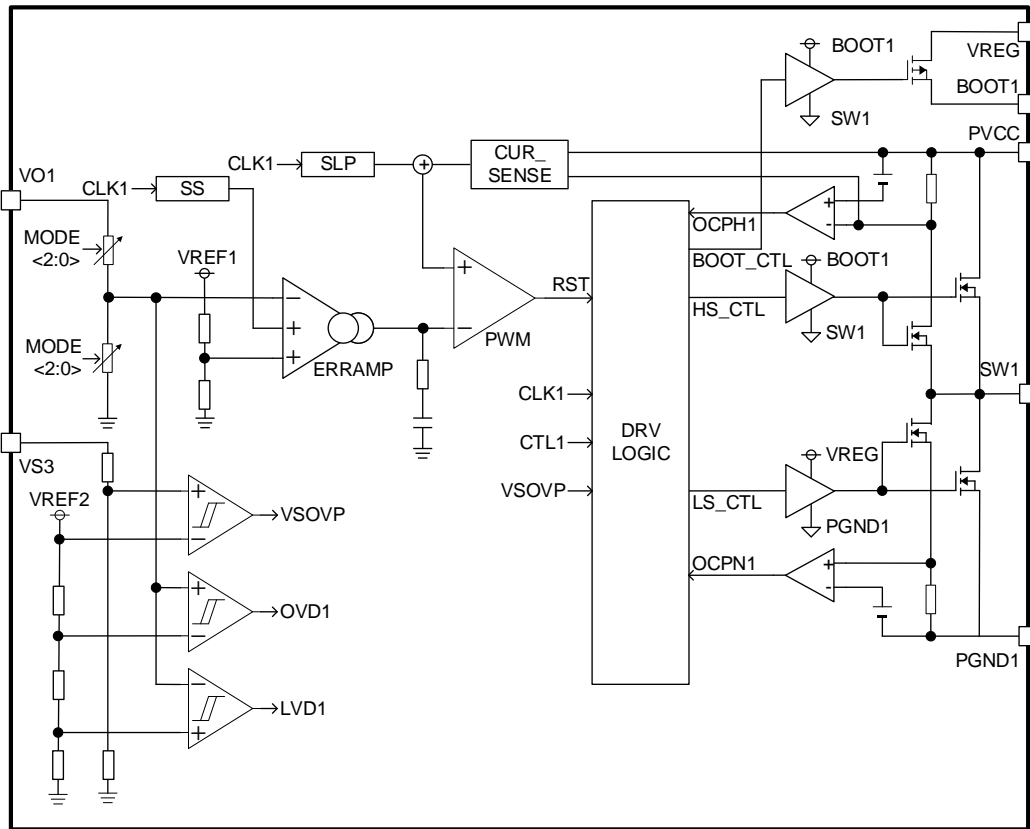
Block Diagrams

1. Top Block Diagram

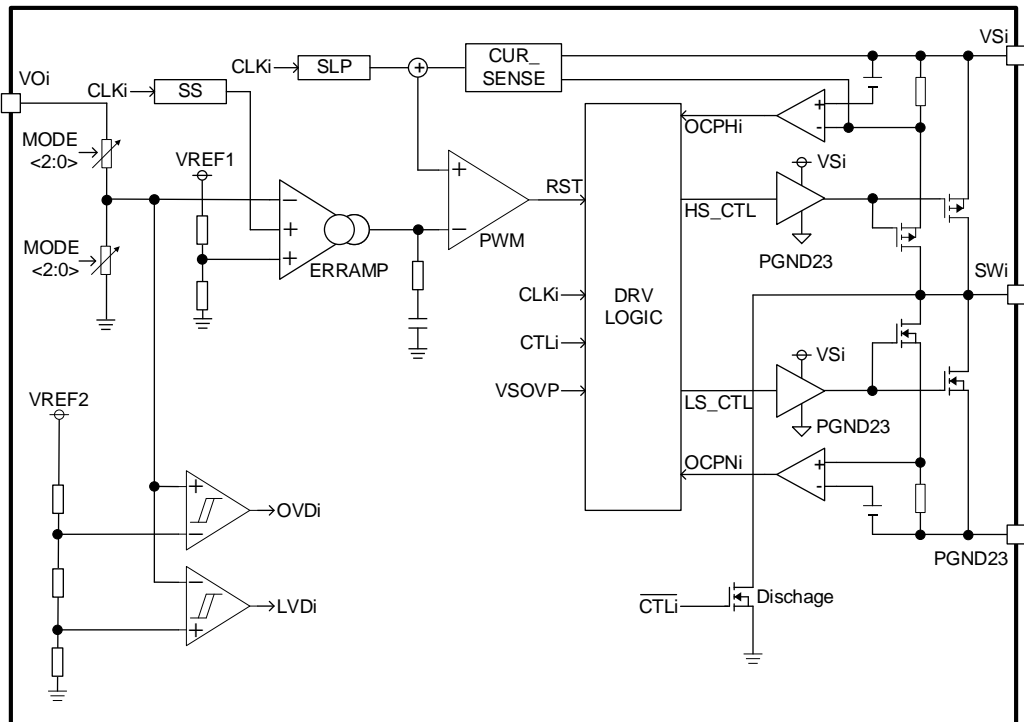


Block Diagrams – Continued

2. DC/DC1 Block Diagram



3. DC/DC2 and DC/DC3 Block Diagram (i = 2, 3)



## Description of Blocks

- **Internal Regulator (VREG) Block**

VREG is the linear regulator for PMIC use only (Do not use it for other purposes.).

The VREG pin needs an appropriate external bypass capacitor. This is controlled by the EN1 internal signal.

When the EN pin voltage is more than 2.6 V, the EN1 signal becomes high, and when it's less than 0.8 V, the EN1 signal becomes low.

VREG stops when the EN1 signal and the CTL1 internal signal are low.

- **Reference Voltage (VREF1 and VREF2) Block**

Two independent reference voltages, one for the output voltage and the other for the voltage detections.

- **Under Voltage Lock-Out Block for VCC (UVLO\_VCC, UVLO\_VREG and UVLO\_VS)**

Input low-voltage detections for the VCC, VREG and VS2 pins.

If any one of these input low-voltages are detected, the device goes into the UVLO state (See below for more details).

### UVLO\_VCC and UVLO\_VREG

When UVLO is detected from these pins, all the outputs (VO1 to VO3 and EN\_LDO) turn off immediately. And then, the PGOOD pin changes to low. Once the UVLO condition is removed, the device waits 200  $\mu$ s (Typ) and starts VO1 rail power-up.

### UVLO\_VS

When UVLO is detected from VS2 pins, the secondary outputs (VO2, VO3 and EN\_LDO) turn off immediately. And then, the PGOOD pin changes to low. Once the UVLO condition is removed, VO2, VO3 and EN\_LDO turn on by the normal sequence.

- **Thermal Shutdown Protection (TSD) Block**

To prevent IC from causing thermal destruction and thermal runaway, the TSD operates when chip temperature reaches 175 °C (Typ) or more. When TSD operates, all of the outputs (VO1 to VO3 and EN\_LDO) turn off at the same time, and PGOOD changes low. IC resumes by sequence after chip temperature decreases to certain temperature.

However, this thermal protection circuit is designed to protect IC itself from destruction. Do not exceed the chip temperature  $T_{jmax} = 150$  °C.

- **Oscillator (OSC) Block**

OSC generates clock for DC/DC1, 2, 3 and CONTROL block. The DC/DC1 operates in phase with the DC/DC3, and the DC/DC2 operates 180 degrees out of phase to reduce the input ripple current.

- **Spread Spectrum Clock Generator (SSCG) Block**

OSC block built in spread spectrum clock generator (SSCG) function. Insert a capacitor of 3300 pF between SSCG pin and GND, it enables the spread-spectrum function. In this mode, the frequency is reduced by 5 % from the RT programmed center frequency and is modulated by  $\pm 3$  % with 2.5 kHz modulation frequency.

- **External LDO Controller (LDO\_CNT) Block**

This IC outputs the control signal to External LDO from the EN\_LDO pin. The power supply of the EN\_LDO output buffer is VS2. When detection (LVD4 and OVD4) of external LDO output is necessary, short the external LDO output and FB\_LDO.

## Description of Blocks – continued

- **Error Amplifier (ERRAMP) Block**  
Error Amplifier with reference voltage and VO voltage divider input. Controls On Duty width of switching pulse by output of ERRAMP. Capacitor and resistor for phase compensation are fixed.
- **Slope (SLP) Block**  
The saw tooth wave generator for the duty modulation. The summation of the saw tooth waveform and the upper FET current information will be sent to PWM.
- **Current Comparator (CUR\_SENSE) Block**  
The CUR\_SENSE block outputs a waveform depending on the current of the inductance.
- **Soft Start (SS) Block**  
The SS block slows down the rise of output voltage during start-up. This reduces inrush current during start-up and the overshoot of the output. The soft start ramp is generated by CLK and digital-to-analog converter (DAC).
- **PWM Comparator (PWM) Block**  
The PWM block compares the output of ERRAMP with the synthetic waveform of SLP and CUR\_SENSE, and adjusts duty for switching operation.
- **Driver Logic (DRV LOGIC) Block and Driver (DRV) Block**  
The DRV\_LOGIC block control BOOT\_CTL, HS\_CTL and LS\_CTL. The DRV blocks drive Power FET.
- **Over Voltage Protection (VSOVP) Block at DC/DC1**  
When the VS3 pin voltage exceeds the threshold of VSOVP, high side FET and low side FET turn off.
- **Over Voltage Detection (OVD1, OVD2, OVD3 and OVD4)**  
PGOOD is an open-drain output which pull-up resistor is required when usage.  
The VO1, VO2, VO3 and FB\_LDO pins have the over voltage detection feature. Any one of these over voltage detection can make the PGOOD pin to pull low. Once the over voltage is removed, the PGOOD pin follows in 10 ms (Typ). This timer is dependent on the programmed operating frequency. The PGOOD pin is an open-drain pin and needs an external pull-up resistor.
- **Lower Voltage Detection (LVD1, LVD2, LVD3 and LVD4)**  
PGOOD is open-drain output which pull-up resistor is required when usage.  
The VO1, VO2, VO3 and FB\_LDO pins have the lower voltage detection feature. Any one of these lower voltage detection can make the PGOOD pin to pull low. Once the lower voltage is removed, the PGOOD pin follows in 10 ms (Typ). This timer is dependent on the programmed operating frequency. The PGOOD pin is open-drain pins and need an external pull-up resistor.
- **Over Current Protection (OCPH1, OCPH2, OCPH3, OCPN1, OCPN2 and OCPN3)**  
The over current protection feature limits the FET current and successfully protects all the FETs from the permanent damage.  
This feature is intended for an accidental short only minimizing secondary disasters. In the application, the continuous usage of this feature is not allowed.  
  
OCPH1, OCPH2 and OCPH3  
When DC/DC1, DC/DC2 and DC/DC3 high-side FET peak current cross the threshold, the high-side FET turns off immediately and this protection limits high-side FET ON time. When ON time is limited, the current of output is limited and the voltage of output decreases.  
  
OCPN1, OCPN2, OCPN3 (The incoming/sink over current.)  
When DC/DC1, DC/DC2 and DC/DC3 low-side FET peak negative current cross the threshold, the low-side FET turns off immediately and this protection limits low-side FET ON time.
- **Discharge Block at DC/DC2 and DC/DC3**  
When DC/DC control internal signal CTL2 or CTL3 is low, discharge block works.

## Description of Blocks – continued

- **CONTROL LOGIC Block**

This block controls CTL1, CTL2, CTL3, and CTL4, ON/OFF sequence, PGOOD and each protection.

When the EN2 internal signal is high and UVLO\_VCC and UVLO\_VREG are released, CONTROL\_LOGIC block is active.

When UVLO\_VCC or UVLO\_VREG is detected, CONTROL LOGIC Block will reset and initialize.

Output voltage and the sequence are decided by the combination of MODE pin (MODE0, MODE1 and MODE2) logic.

It is necessary to connect the MODE pins to VREG or GND. The following table is details of output voltage and ON/OFF sequences.

Table 1. Mode Setting Description

| Mode name | MODE Pin<br>(Note 1) |   |   | DCDC1<br>(VO1) | DCDC2<br>(VO2) | DCDC3<br>(VO3) | External<br>LDO<br>(VO4) | ON Sequence<br>OFF Sequence                          | Protect      |
|-----------|----------------------|---|---|----------------|----------------|----------------|--------------------------|------------------------------------------------------|--------------|
|           | 2                    | 1 | 0 |                |                |                |                          |                                                      |              |
| A-mode    | L                    | L | L | 3.3 V          | 1.2 V          | 1.8 V          | 2.7 V                    | DCDC2 -> DCDC3 -> EN_LDO<br>EN_LDO -> DCDC3 -> DCDC2 | Self-Restart |
| B-mode    | L                    | L | H | 3.3 V          | 1.2 V          | 1.8 V          | 2.8 V                    | EN_LDO -> DCDC3 -> DCDC2<br>DCDC2 -> DCDC3 -> EN_LDO | Self-Restart |
| C-mode    | L                    | H | L | 3.3 V          | 1.2 V          | 1.8 V          | 2.9 V                    | DCDC2 -> DCDC3 -> EN_LDO<br>EN_LDO -> DCDC3 -> DCDC2 | Self-Restart |
| D-mode    | L                    | H | H | 3.9 V          | 1.2 V          | 1.8 V          | 3.3 V                    | DCDC2 -> DCDC3 -> EN_LDO<br>EN_LDO -> DCDC3 -> DCDC2 | Self-Restart |
| E-mode    | H                    | L | L | 3.3 V          | 1.1 V          | 1.8 V          | 2.9 V                    | DCDC2 -> DCDC3 -> EN_LDO<br>EN_LDO -> DCDC3 -> DCDC2 | Self-Restart |
| F-mode    | H                    | L | H | 3.3 V          | 1.1 V          | 1.8 V          | 2.9 V                    | DCDC2 -> DCDC3 -> EN_LDO<br>EN_LDO -> DCDC3 -> DCDC2 | Timer-Latch  |
| G-mode    | H                    | H | L | 3.3 V          | 1.2 V          | 1.8 V          | 2.8 V                    | DCDC3 -> EN_LDO -> DCDC2<br>DCDC2 -> EN_LDO -> DCDC3 | Self-Restart |
| H-mode    | H                    | H | H | 3.3 V          | 1.2 V          | 1.8 V          | 2.8 V                    | DCDC3 -> DCDC2 -> EN_LDO<br>EN_LDO -> DCDC2 -> DCDC3 | Self-Restart |

(Note 1) L: GND short, H: VREG short



## Description of Blocks - continued

- **CONTROL LOGIC Block (Protection of Self-Restart)**

When the EN pin is 0.8 V or less, IC is in the state of stand-by. In this state, the internal regulator and all outputs are off, and secondary DC/DC rails discharge function is active.

The following table shows the relation of protection (Self-Restart).

Table 2. Protection of Self-Restart

|                 | Protection | PGOOD                   | Notice                                                                |
|-----------------|------------|-------------------------|-----------------------------------------------------------------------|
| ALL             | UVLO_VCC   | Low                     | All output is off.                                                    |
|                 | UVLO_VREG  | Low                     | All output is off.                                                    |
|                 | UVLO_VS    | Low                     | VO2, VO3 and EN_LDO are off.                                          |
|                 | TSD        | Low                     | All output is off.                                                    |
| DC/DC1<br>(VO1) | OCPH       | Low <sup>(Note 1)</sup> | High side FET is off.<br>Self-Restart after 10 ms.                    |
|                 | OCPN       | -                       | Low side FET is off.                                                  |
|                 | VSOVP      | Low                     | High and Low sides FET are off.<br>Self-Restart after 10 ms.          |
|                 | LVD        | Low                     | When more than 10 ms, all output is off.<br>Self-Restart after 10 ms. |
|                 | OVD        | Low                     | When more than 10 ms, all output is off.<br>Self-Restart after 10 ms. |
| DC/DC2<br>(VO2) | OCPH       | Low <sup>(Note 1)</sup> | High side FET is off.<br>Self-Restart after 10 ms.                    |
|                 | OCPN       | -                       | Low side FET is off.                                                  |
|                 | LVD        | Low                     | When more than 10 ms, all output is off.<br>Self-Restart after 10 ms. |
|                 | OVD        | Low                     | When more than 10 ms, all output is off.<br>Self-Restart after 10 ms. |
| DC/DC3<br>(VO3) | OCPH       | Low <sup>(Note 1)</sup> | High side FET is off<br>Self-Restart after 10 ms.                     |
|                 | OCPN       | -                       | Low side FET is off.                                                  |
|                 | LVD        | Low                     | When more than 10 ms, all output is off.<br>Self-Restart after 10 ms. |
|                 | OVD        | Low                     | When more than 10 ms, all output is off.<br>Self-Restart after 10 ms. |
| External<br>LDO | LVD        | Low                     | When more than 10 ms, all output is off.<br>Self-Restart after 10 ms. |
|                 | OVD        | Low                     | When more than 10 ms, all output is off.<br>Self-Restart after 10 ms. |

(Note 1) When protection detection is more than 10 ms, PGOOD turn into low.

## Description of Blocks - continued

- **CONTROL LOGIC Block (Protection of Timer-Latch)**

When the protection detection passes for 10 ms (Typ) or more, "Timer-Latch" works and all output turns off and PGOOD turns to low. The cancellation method of "Timer-Latch" is to activate either UVLO\_VCC, UVLO\_VREG or TSD, or to turn EN low.

The following table shows the relation of protection (Timer-Latch).

Table 3. Protection of Timer-Latch

|                 | Protection | PGOOD                   | Notice                                                     |
|-----------------|------------|-------------------------|------------------------------------------------------------|
| ALL             | UVLO_VCC   | Low                     | All output is off.<br>Release Timer-Latch                  |
|                 | UVLO_VREG  | Low                     | All output is off.<br>Release Timer-Latch                  |
|                 | UVLO_VS    | Low                     | When protection detect 8 times, Timer-Latch works.         |
|                 | TSD        | Low                     | All output is off.<br>Release Timer-Latch                  |
| DC/DC1<br>(VO1) | OCPH       | Low <sup>(Note 1)</sup> | High side FET is off.<br>Timer-Latch after 10 ms.          |
|                 | OCPN       | -                       | Low side FET is off.                                       |
|                 | VSOVP      | Low                     | High and Low sides FET are off<br>Timer-Latch after 10 ms. |
|                 | LVD        | Low                     | Timer-Latch after 10 ms.                                   |
|                 | OVD        | Low                     | Timer-Latch after 10 ms.                                   |
| DC/DC2<br>(VO2) | OCPH       | Low <sup>(Note 1)</sup> | High side FET is off.<br>Timer-Latch after 10 ms.          |
|                 | OCPN       | -                       | Low side FET is off.                                       |
|                 | LVD        | Low                     | Timer-Latch after 10 ms.                                   |
|                 | OVD        | Low                     | Timer-Latch after 10 ms.                                   |
| DC/DC3<br>(VO3) | OCPH       | Low <sup>(Note 1)</sup> | High side FET is off.<br>Timer-Latch after 10 ms.          |
|                 | OCPN       | -                       | Low side FET is off.                                       |
|                 | LVD        | Low                     | Timer-Latch after 10 ms.                                   |
|                 | OVD        | Low                     | Timer-Latch after 10 ms.                                   |
| External<br>LDO | LVD        | Low                     | Timer-Latch after 10 ms.                                   |
|                 | OVD        | Low                     | When more than 10 ms, Timer-Latch works.                   |

(Note 1) When protection detection is more than 10 ms, PGOOD turn into low.

## Absolute Maximum Ratings

| Parameter                                | Symbol                                                          | Rating      | Unit |
|------------------------------------------|-----------------------------------------------------------------|-------------|------|
| Power Supply Voltage <sup>(Note 1)</sup> | V <sub>VCC</sub> , V <sub>PVCC</sub>                            | -0.3 to +20 | V    |
| EN Pin Voltage <sup>(Note 2)</sup>       | V <sub>EN</sub>                                                 | -0.3 to +20 | V    |
| Power Supply Voltage <sup>(Note 1)</sup> | V <sub>VS2</sub> , V <sub>VS3</sub>                             | -0.3 to +6  | V    |
| VO Pin Voltage                           | V <sub>VO1</sub> , V <sub>VO2</sub> , V <sub>VO3</sub>          | -0.3 to +6  | V    |
| FB_LDO Pin Voltage                       | V <sub>FBLDO</sub>                                              | -0.3 to +6  | V    |
| PGOOD Pin Voltage                        | V <sub>PGOOD</sub>                                              | -0.3 to +6  | V    |
| MODE Pin Voltage                         | V <sub>MODE0</sub> , V <sub>MODE1</sub> ,<br>V <sub>MODE2</sub> | -0.3 to +6  | V    |
| Storage Temperature Range                | T <sub>stg</sub>                                                | -55 to +150 | °C   |
| Maximum Junction Temperature             | T <sub>jmax</sub>                                               | +150        | °C   |

**Caution 1:** Operating the IC over the absolute maximum ratings may damage the IC. The damage can either be a short circuit between pins or an open circuit between pins and the internal circuitry. Therefore, it is important to consider circuit protection measures, such as adding a fuse, in case the IC is operated over the absolute maximum ratings.

**Caution 2:** Should by any chance the maximum junction temperature rating be exceeded the rise in temperature of the chip may result in deterioration of the properties of the chip. In case of exceeding this absolute maximum rating, design a PCB boards with thermal resistance taken into consideration by increasing board size and copper area so as not to exceed the maximum junction temperature rating.

(Note 1) Do not exceed maximum junction temperature.

(Note 2) The VCC and EN pin start-up is sequence free if it is within guaranteed operating voltage range.

Thermal Resistance<sup>(Note 3)</sup>

| Parameter                                                      | Symbol        | Thermal Resistance (Typ) |                          | Unit |
|----------------------------------------------------------------|---------------|--------------------------|--------------------------|------|
|                                                                |               | 1s <sup>(Note 5)</sup>   | 2s2p <sup>(Note 6)</sup> |      |
| VQFN24FV4040                                                   |               |                          |                          |      |
| Junction to Ambient                                            | $\theta_{JA}$ | 111.6                    | 39.9                     | °C/W |
| Junction to Top Characterization Parameter <sup>(Note 4)</sup> | $\Psi_{JT}$   | 19                       | 12                       | °C/W |

(Note 3) Based on JE51-2A (Still-Air)

(Note 4) The thermal characterization parameter to report the difference between junction temperature and the temperature at the top center of the outside surface of the component package.

(Note 5) Using a PCB board based on JE51-3.

(Note 6) Using a PCB board based on JE51-5, 7.

| Layer Number of Measurement Board | Material | Board Size                    |
|-----------------------------------|----------|-------------------------------|
| Single                            | FR-4     | 114.3 mm x 76.2 mm x 1.57 mmt |

| Top                   |            |
|-----------------------|------------|
| Copper Pattern        | Thickness  |
| Footprints and Traces | 70 $\mu$ m |

| Layer Number of Measurement Board | Material | Board Size                   | Thermal Via <sup>(Note 7)</sup> |                |
|-----------------------------------|----------|------------------------------|---------------------------------|----------------|
|                                   |          |                              | Pitch                           | Diameter       |
| 4 Layers                          | FR-4     | 114.3 mm x 76.2 mm x 1.6 mmt | 1.20 mm                         | $\Phi$ 0.30 mm |

| Top                   |            | 2 Internal Layers |            | Bottom            |            |
|-----------------------|------------|-------------------|------------|-------------------|------------|
| Copper Pattern        | Thickness  | Copper Pattern    | Thickness  | Copper Pattern    | Thickness  |
| Footprints and Traces | 70 $\mu$ m | 74.2 mm x 74.2 mm | 35 $\mu$ m | 74.2 mm x 74.2 mm | 70 $\mu$ m |

(Note 7) This thermal via connects with the copper pattern of all layers.

## Recommended Operating Conditions

| Parameter                                | Symbol                              | Min                     | Typ | Max  | Unit | Notice                           |
|------------------------------------------|-------------------------------------|-------------------------|-----|------|------|----------------------------------|
| Power Supply Voltage <sup>(Note 1)</sup> | V <sub>VCC</sub>                    | 4.0 <sup>(Note 2)</sup> | 6.0 | 18.0 | V    | -                                |
| Power Supply Voltage <sup>(Note 1)</sup> | V <sub>VS2</sub> , V <sub>VS3</sub> | 3.2                     | -   | 4.0  | V    | VS2 and VS3 must be short to VO1 |
| Output Current <sup>(Note 1)</sup>       | I <sub>VO1</sub>                    | -                       | -   | 2    | A    | -                                |
| Output Current <sup>(Note 1)</sup>       | I <sub>VO2</sub>                    | -                       | -   | 1    | A    | -                                |
| Output Current <sup>(Note 1)</sup>       | I <sub>VO3</sub>                    | -                       | -   | 1    | A    | -                                |
| Switching Frequency                      | f <sub>OSC</sub>                    | 1.8                     | 2.2 | 2.4  | MHz  | -                                |
| Operating Temperature                    | T <sub>opr</sub>                    | -40                     | +25 | +125 | °C   | -                                |

(Note 1) Do not exceed the maximum junction temperature rating.

(Note 2) If differences between Power Supply Voltage of VCC and VO1 Output Voltage are small, VO1 Output Voltage may drop.

## Electrical Characteristics

(Unless otherwise specified,

T<sub>j</sub> = -40 to +150 °C, V<sub>VCC</sub> = V<sub>PVCC</sub> = 4.0 V to 18.0 V, V<sub>VS2</sub> = V<sub>VS3</sub> = 3.2 V to 4.0 V, V<sub>EN</sub> = 4.0 V, V<sub>SSCG</sub> = 0 V)

| Parameter                   | Symbol                    | Min  | Typ  | Max               | Unit | Conditions                                                                                                                                            |
|-----------------------------|---------------------------|------|------|-------------------|------|-------------------------------------------------------------------------------------------------------------------------------------------------------|
| Stand-by Current1           | I <sub>STB1</sub>         | -    | 0    | 10                | μA   | T <sub>j</sub> = 25 °C, V <sub>EN</sub> = 0 V                                                                                                         |
| Stand-by Current2           | I <sub>STB2</sub>         | -    | -    | 50                | μA   | T <sub>j</sub> = 150 °C, V <sub>EN</sub> = 0 V                                                                                                        |
| Operating Current           | I <sub>CC1</sub>          | -    | 3    | 6                 | mA   | V <sub>VCC</sub> = V <sub>PVCC</sub> = 6.0 V, V <sub>VO1</sub> , V <sub>VO2</sub> , V <sub>VO3</sub> and V <sub>LDO_FB</sub> is setting voltage x 1.1 |
| VCC UVLO Operating Voltage  | V <sub>UVLOVCC_ON</sub>   | 3.30 | 3.45 | 3.60              | V    | VCC pin voltage                                                                                                                                       |
| VCC UVLO Hysteresis Voltage | V <sub>UVLOVCC_HYS</sub>  | 300  | 350  | 400               | mV   | VCC pin voltage                                                                                                                                       |
| VREG Output Voltage         | V <sub>REG</sub>          | -    | 4.9  | -                 | V    | VCC = 5.0 V to 18 V                                                                                                                                   |
| VREG UVLO Operating Voltage | V <sub>UVLOVREG_ON</sub>  | 2.71 | 2.98 | 3.25              | V    | VREG pin voltage                                                                                                                                      |
| VREG UVLO Release Voltage   | V <sub>UVLOVREG_OFF</sub> | -    | 3.10 | 3.44              | V    | VREG pin voltage                                                                                                                                      |
| VS UVLO Operating Voltage   | V <sub>UVLOVS_ON</sub>    | 2.42 | 2.65 | 2.88              | V    | VS2 pin voltage                                                                                                                                       |
| VS UVLO Release Voltage     | V <sub>UVLOVS_OFF</sub>   | -    | 2.75 | 3.05              | V    | VS2 pin voltage                                                                                                                                       |
| Switching Frequency1        | f <sub>OSC1</sub>         | 2.0  | 2.2  | 2.4               | MHz  | R <sub>RT</sub> = 27 kΩ, V <sub>SSCG</sub> = 0 V                                                                                                      |
| Switching Frequency2        | f <sub>OSC2</sub>         | 1.8  | 2.1  | f <sub>OSC1</sub> | MHz  | R <sub>RT</sub> = 27 kΩ<br>C <sub>SSC</sub> = 3300 pF                                                                                                 |

## Electrical Characteristics - continued

(Unless otherwise specified,

 $T_j = -40$  to  $+150$  °C,  $V_{VCC} = V_{PVCC} = 4.0$  V to  $18.0$  V,  $V_{VS2} = V_{VS3} = 3.2$  V to  $4.0$  V,  $V_{EN} = 4.0$  V,  $V_{SSCG} = 0$  V)

| Parameter                      | Symbol            | Min           | Typ           | Max           | Unit       | Conditions                                             |
|--------------------------------|-------------------|---------------|---------------|---------------|------------|--------------------------------------------------------|
| <CH1 Output, Primary DC/DC1>   |                   |               |               |               |            |                                                        |
| VO1 Output Voltage Accuracy    | $V_{VO1}$         | -2.0          | -             | +2.0          | %          | -                                                      |
| VO1 Input Current              | $I_{VO1\_CUR}$    | 4.0           | 7.3           | 13.0          | $\mu$ A    | $V_{VO1} = 3.9$ V                                      |
| VO1 LVD Operating Voltage      | $V_{LVD11}$       | VO1<br>x 0.73 | VO1<br>x 0.80 | VO1<br>x 0.87 | V          | VO1 pin voltage                                        |
| VO1 LVD Release Voltage        | $V_{LVD12}$       | -             | VO1<br>x 0.86 | -             | V          | VO1 pin voltage                                        |
| VO1 OVD Operating Voltage      | $V_{OVD11}$       | VO1<br>x 1.10 | VO1<br>x 1.20 | VO1<br>x 1.30 | V          | VO1 pin voltage                                        |
| VO1 OVD Release Voltage        | $V_{OVD12}$       | -             | VO1<br>x 1.15 | -             | V          | VO1 pin voltage                                        |
| VS OVP Operating Voltage       | $V_{VSOVP\_ON}$   | 5.1           | 5.5           | 5.9           | V          | VS3 pin voltage                                        |
| VS OVP Release Voltage         | $V_{VSOVP\_OFF}$  | 4.95          | 5.35          | 5.75          | V          | VS3 pin voltage                                        |
| High Side FET ON Resistance 1  | $R_{ONH\_SW1\_1}$ | -             | 200           | 350           | m $\Omega$ | $I_{SW1} = -20$ mA<br>$5.0$ V $\leq V_{VCC} \leq 18$ V |
| Low Side FET ON Resistance 1   | $R_{ONL\_SW1\_1}$ | -             | 200           | 350           | m $\Omega$ | $I_{SW1} = +20$ mA<br>$5.0$ V $\leq V_{VCC} \leq 18$ V |
| High Side FET ON Resistance 2  | $R_{ONH\_SW1\_2}$ | -             | 250           | 400           | m $\Omega$ | $I_{SW1} = -20$ mA<br>$4.0$ V $\leq V_{VCC} < 5.0$ V   |
| Low Side FET ON Resistance 2   | $R_{ONL\_SW1\_2}$ | -             | 250           | 400           | m $\Omega$ | $I_{SW1} = +20$ mA<br>$4.0$ V $\leq V_{VCC} < 5.0$ V   |
| <CH2 Output, Secondary DC/DC2> |                   |               |               |               |            |                                                        |
| VO2 Output Voltage Accuracy    | $V_{VO2}$         | -2.0          | -             | +2.0          | %          | -                                                      |
| VO2 Input Current              | $I_{VO2\_CUR}$    | -             | 1.8           | 2.8           | $\mu$ A    | $V_{VO2} = 1.2$ V                                      |
| VO2 LVD Operating Voltage      | $V_{LVD21}$       | VO2<br>x 0.73 | VO2<br>x 0.80 | VO2<br>x 0.87 | V          | VO2 pin voltage                                        |
| VO2 LVD Release Voltage        | $V_{LVD22}$       | -             | VO2<br>x 0.86 | -             | V          | VO2 pin voltage                                        |
| VO2 OVD Operating Voltage      | $V_{OVD21}$       | VO2<br>x 1.1  | VO2<br>x 1.2  | VO2<br>x 1.3  | V          | VO2 pin voltage                                        |
| VO2 OVD Release Voltage        | $V_{OVD22}$       | -             | VO2<br>x 1.15 | -             | V          | VO2 pin voltage                                        |
| High Side FET ON Resistance    | $R_{ONH\_SW2}$    | -             | 220           | 390           | m $\Omega$ | $I_{SW2} = -20$ mA                                     |
| Low Side FET ON Resistance     | $R_{ONL\_SW2}$    | -             | 190           | 330           | m $\Omega$ | $I_{SW2} = +20$ mA                                     |
| VO2 Discharge Resistance       | $R_{VO2DIS}$      | -             | 150           | 400           | $\Omega$   | $I_{SW2} = +1$ mA                                      |

## Electrical Characteristics - continued

(Unless otherwise specified,

 $T_j = -40$  to  $+150$  °C,  $V_{VCC} = V_{PVCC} = 4.0$  V to 18.0 V,  $V_{VS2} = V_{VS3} = 3.2$  V to 4.0 V,  $V_{EN} = 4.0$  V,  $V_{SSCG} = 0$  V)

| Parameter                          | Symbol           | Min            | Typ            | Max            | Unit       | Conditions            |
|------------------------------------|------------------|----------------|----------------|----------------|------------|-----------------------|
| <CH3 Output, Secondary DC/DC3>     |                  |                |                |                |            |                       |
| VO3 Output Voltage Accuracy        | $V_{VO3}$        | -2.0           | -              | +2.0           | %          |                       |
| VO3 Input Current                  | $I_{VO3\_CUR}$   | -              | 2.5            | 3.9            | $\mu$ A    | $V_{VO3} = 1.8$ V     |
| VO3 LVD Operating Voltage          | $V_{LVD31}$      | VO3<br>x 0.73  | VO3<br>x 0.80  | VO3<br>x 0.87  | V          | VO3 pin voltage       |
| VO3 LVD Release Voltage            | $V_{LVD32}$      | -              | VO3<br>x 0.86  | -              | V          | VO3 pin voltage       |
| VO3 OVD Operating Voltage          | $V_{OVD31}$      | VO3<br>x 1.1   | VO3<br>x 1.2   | VO3<br>x 1.3   | V          | VO3 pin voltage       |
| VO3 OVD Release Voltage            | $V_{OVD32}$      | -              | VO3<br>x 1.15  | -              | V          | VO3 pin voltage       |
| High Side FET ON Resistance        | $R_{ONH\_SW3}$   | -              | 220            | 390            | m $\Omega$ | $I_{SW3} = -20$ mA    |
| Low Side FET ON Resistance         | $R_{ONL\_SW3}$   | -              | 190            | 330            | m $\Omega$ | $I_{SW3} = +20$ mA    |
| VO3 Discharge Resistance           | $R_{VO3DIS}$     | -              | 150            | 400            | $\Omega$   | $I_{SW3} = +1$ mA     |
| <CH4 Operating, Secondary LDO_CNT> |                  |                |                |                |            |                       |
| FB_LDO Input Current               | $I_{FBLDO\_CUR}$ | 2.0            | 4.4            | 6.8            | $\mu$ A    | $V_{FB\_LDO} = 3.3$ V |
| VO4 LVD Operating Voltage          | $V_{LVD41}$      | VO4<br>x 0.89  | VO4<br>x 0.92  | VO4<br>x 0.95  | V          | FB_LDO pin voltage    |
| VO4 LVD Release Voltage            | $V_{LVD42}$      | -              | VO4<br>x 0.94  | -              | V          | FB_LDO pin voltage    |
| VO4 OVD Operating Voltage          | $V_{OVD41}$      | VO4<br>x 1.045 | VO4<br>x 1.080 | VO4<br>x 1.115 | V          | FB_LDO pin voltage    |
| VO4 OVD Release Voltage            | $V_{OVD42}$      | -              | VO4<br>x 1.06  | -              | V          | FB_LDO pin voltage    |
| <PGOOD Output>                     |                  |                |                |                |            |                       |
| PGOOD Resistance                   | $R_{ON\_PG}$     | -              | -              | 250            | $\Omega$   | $I_{PGOOD} = +1$ mA   |
| PGOOD Delay Time                   | $t_{PGOOD}$      | 8.5            | 10.0           | 11.5           | ms         | $f_{OSC2} = 2.1$ MHz  |
| <Others>                           |                  |                |                |                |            |                       |
| EN1 Threshold Voltage              | $V_{TH\_EN1}$    | 0.8            | 1.7            | 2.6            | V          | For VREG              |
| EN2 Threshold Voltage              | $V_{TH\_EN2}$    | 1.5            | 1.7            | 2.6            | V          | For output            |
| EN Input Current                   | $I_{EN}$         | 5              | 25             | 45             | $\mu$ A    | $V_{EN} = 5$ V        |
| EN_LDO High Side Resistance        | $R_{ON1\_ENLDO}$ | -              | -              | 200            | $\Omega$   | $I_{EN\_LDO} = -1$ mA |
| EN_LDO Low Side Resistance         | $R_{ON2\_ENLDO}$ | -              | -              | 200            | $\Omega$   | $I_{EN\_LDO} = +1$ mA |

Typical Performance Curves

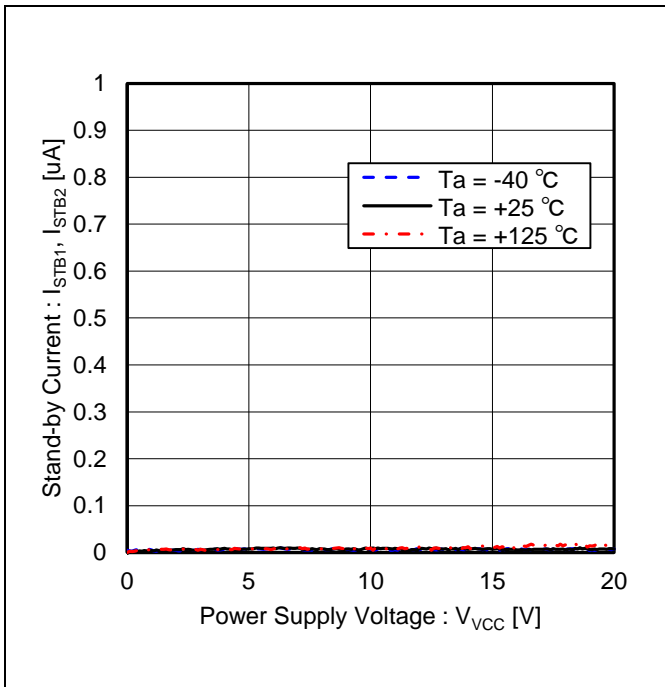


Figure 1. Stand-by Current vs Power Supply Voltage

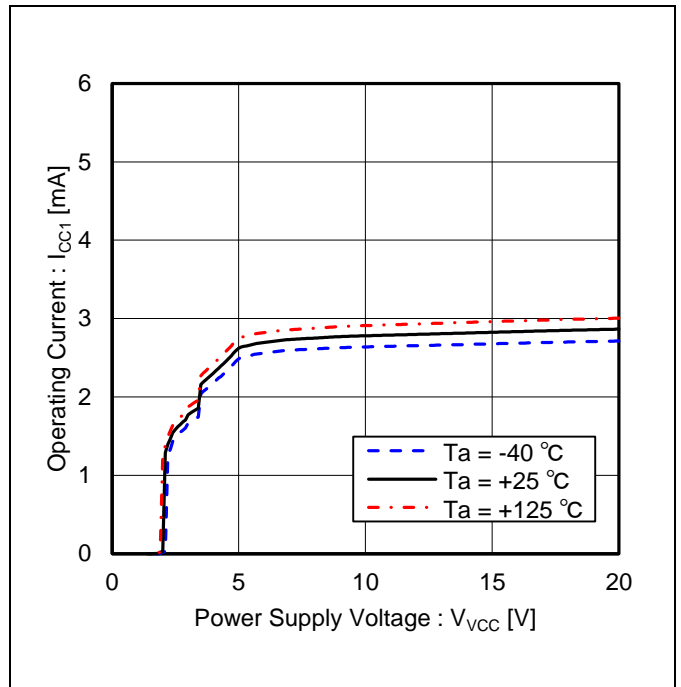


Figure 2. Operating Current vs Power Supply Voltage

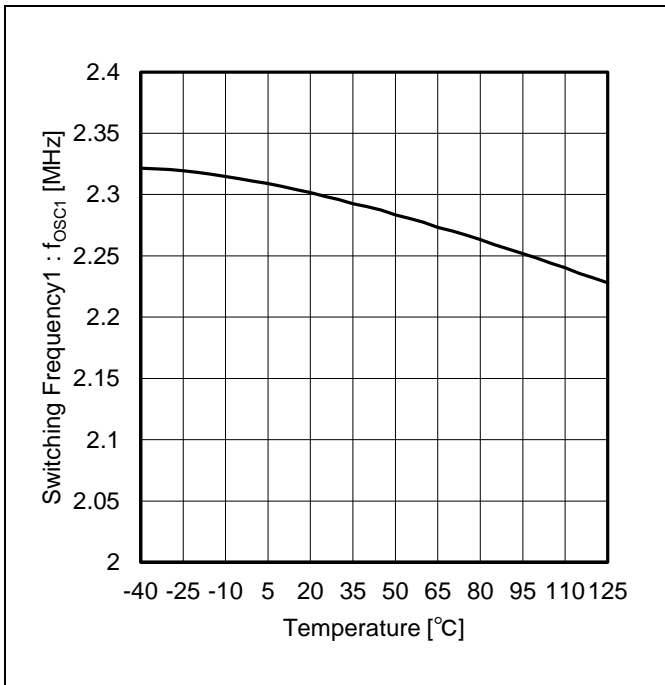


Figure 3. Switching Frequency1 vs Temperature  
( $R_{RT} = 27\text{ k}\Omega$ ,  $SSCG = GND$ )

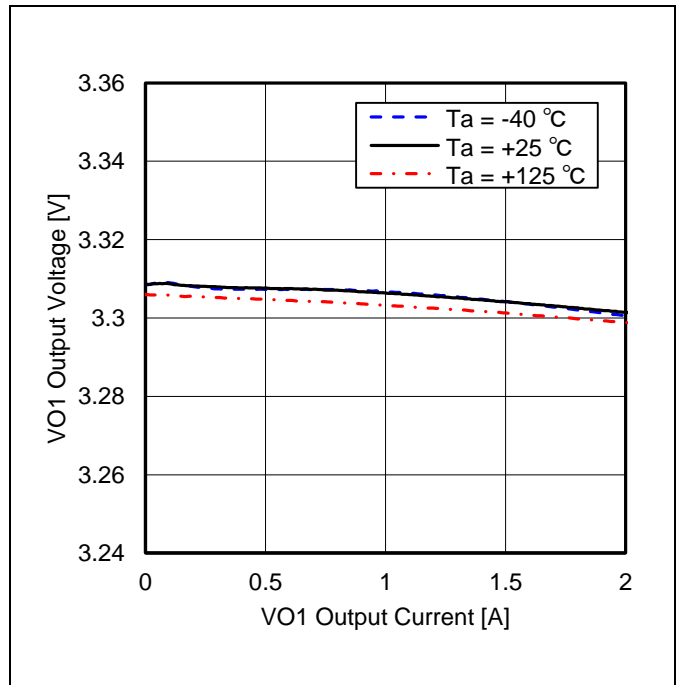


Figure 4. VO1 Output Voltage vs VO1 Output Current  
(VO1 Load Regulation)

Typical Performance Curves – continued

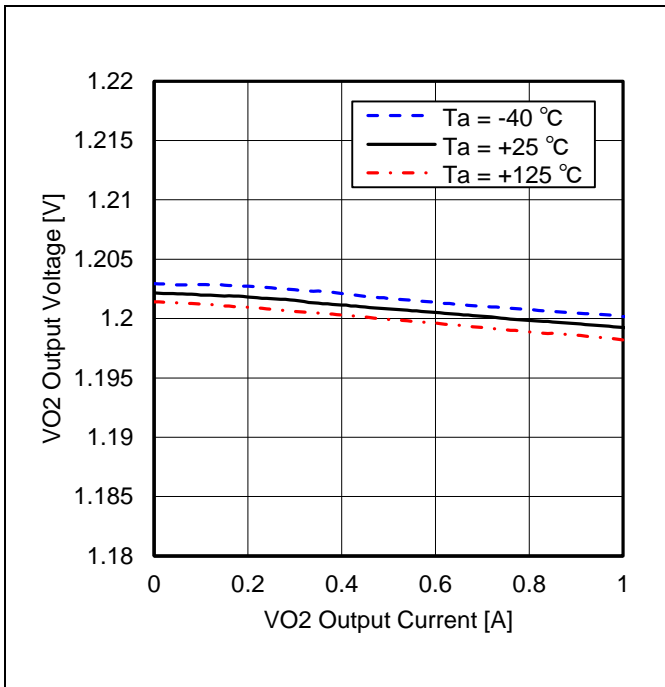


Figure 5. VO2 Output Voltage vs VO2 Output Current (VO2 Load Regulation)

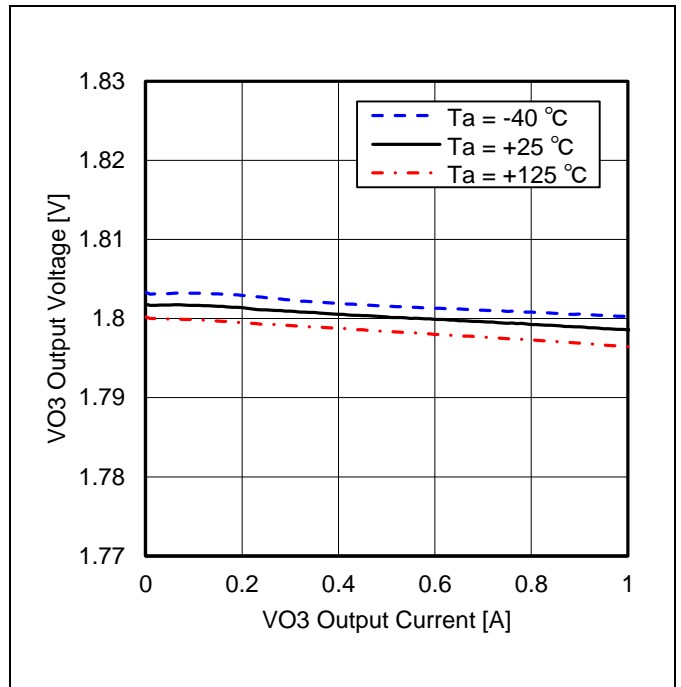


Figure 6. VO3 Output Voltage vs VO3 Output Current (VO3 Load Regulation)

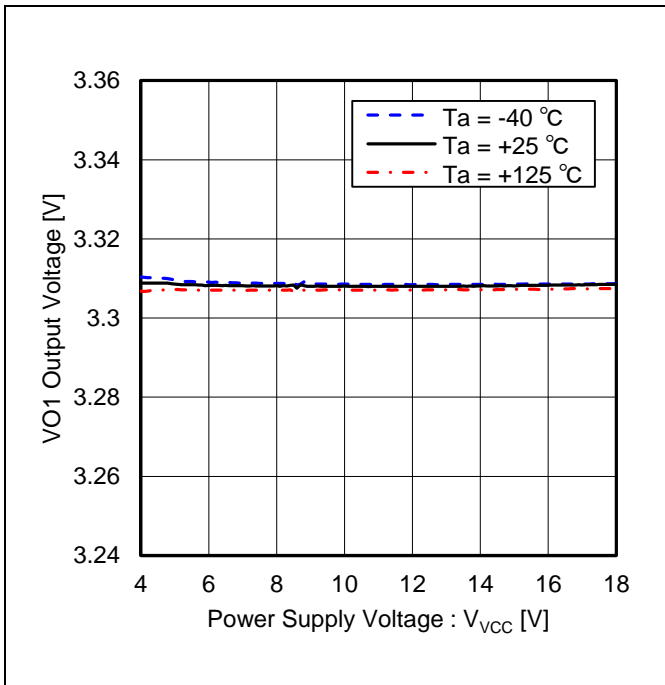


Figure 7. VO1 Output Voltage vs Power Supply Voltage (VO1 Line Regulation)

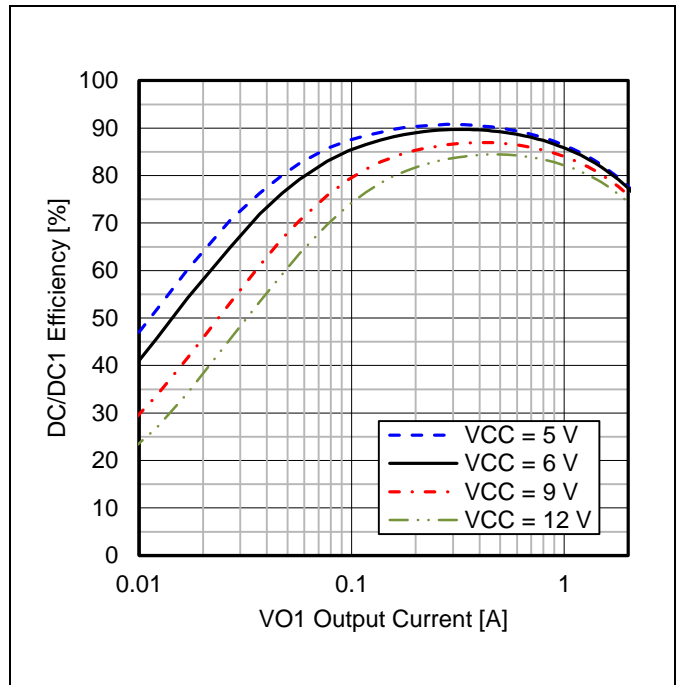


Figure 8. DC/DC1 Efficiency vs VO1 Output Current (VO1 = 3.3 V)



Typical Performance Curves – continued

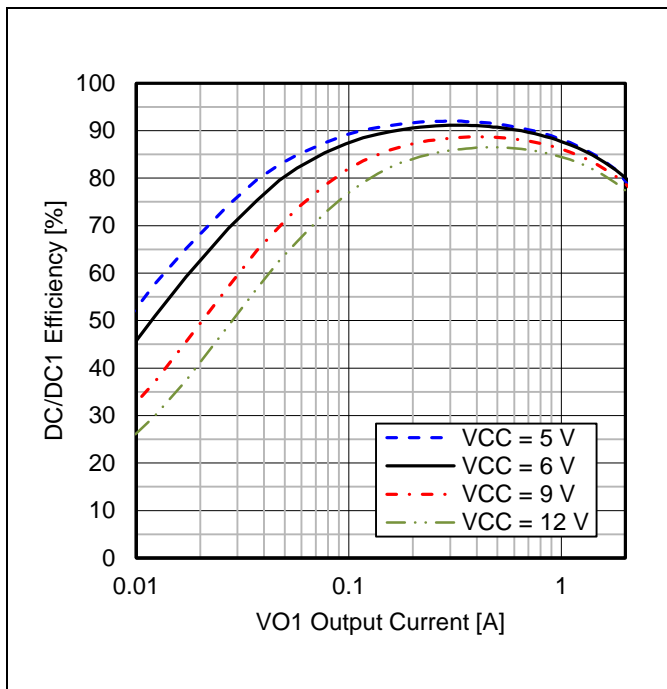


Figure 9. DC/DC1 Efficiency vs VO1 Output Current (VO1 = 3.9 V)

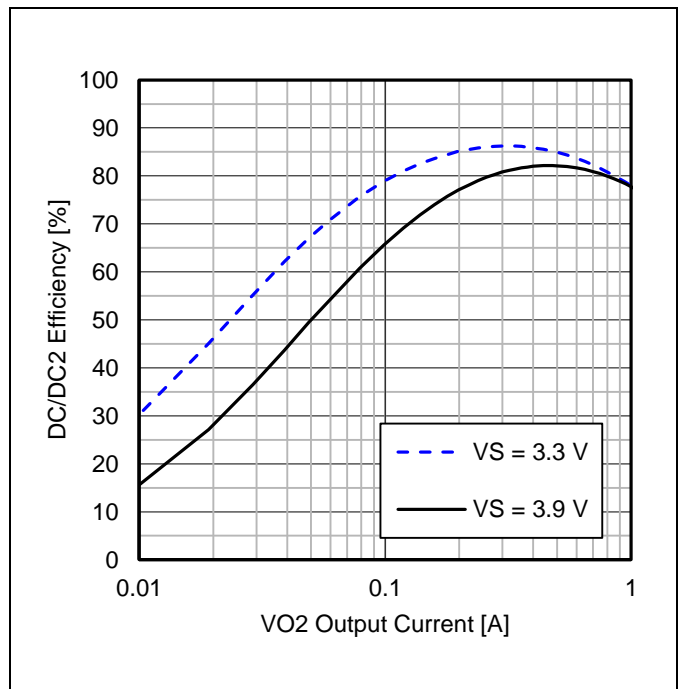


Figure 10. DC/DC2 Efficiency vs VO2 Output Current (VO2 = 1.2 V)

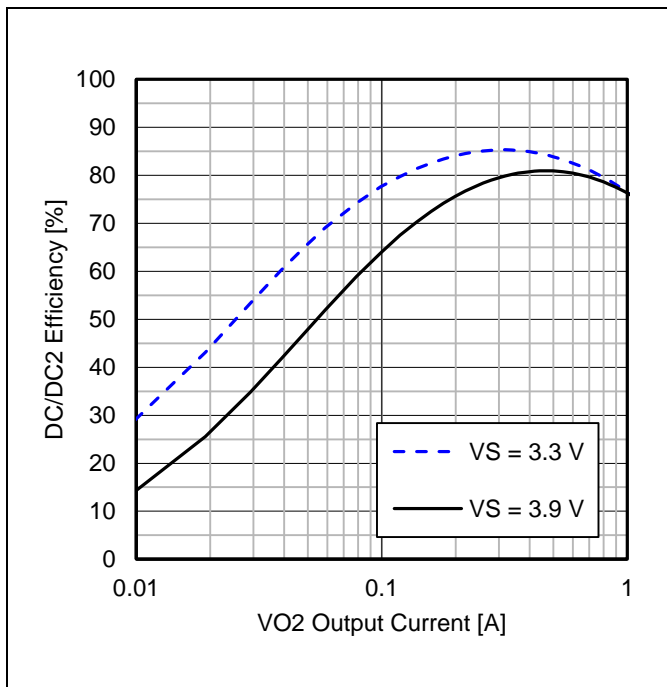


Figure 11. DC/DC2 Efficiency vs VO2 Output Current (VO2 = 1.1 V)

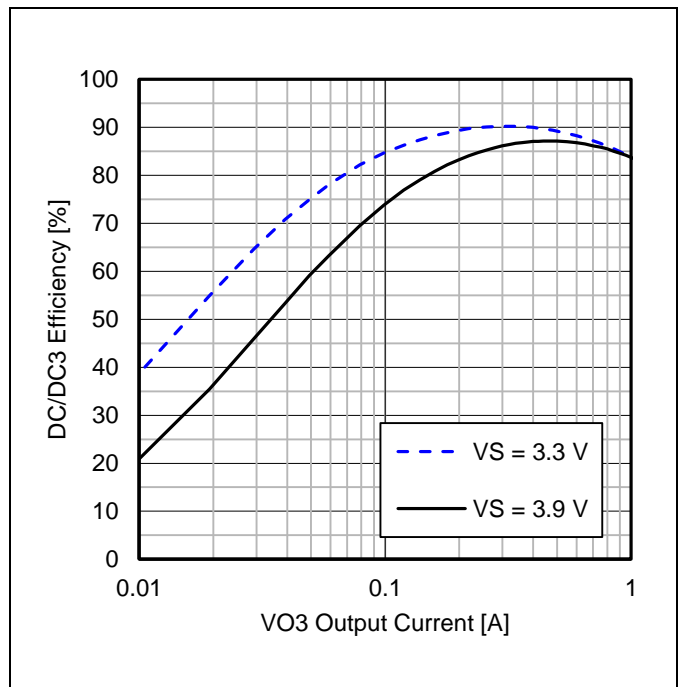


Figure 12. DC/DC3 Efficiency vs VO3 Output Current (VO3 = 1.8 V)

Typical Performance Curves – continued

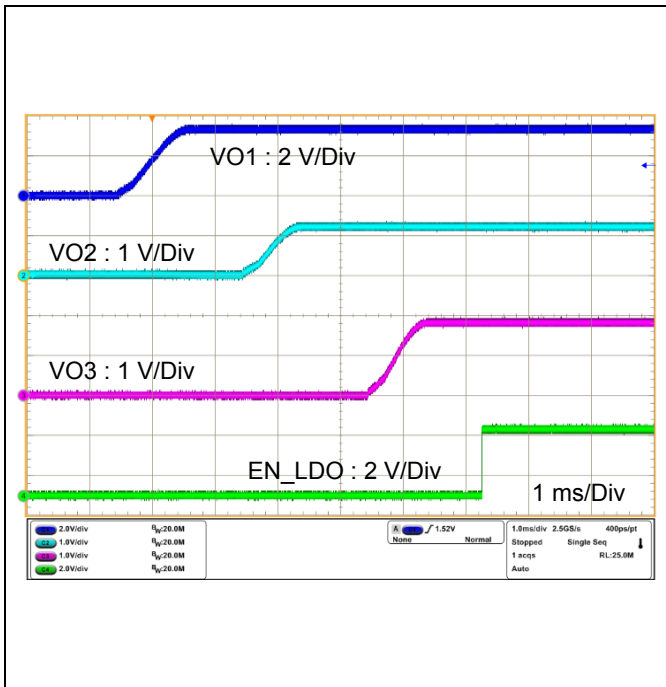


Figure 13. Start-up Waveform (A-MODE)

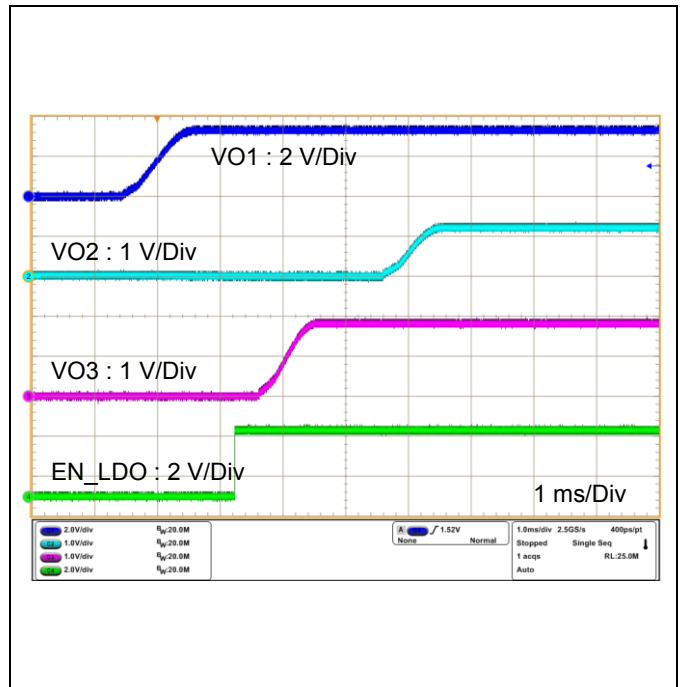


Figure 14. Start-up Waveform (B-MODE)

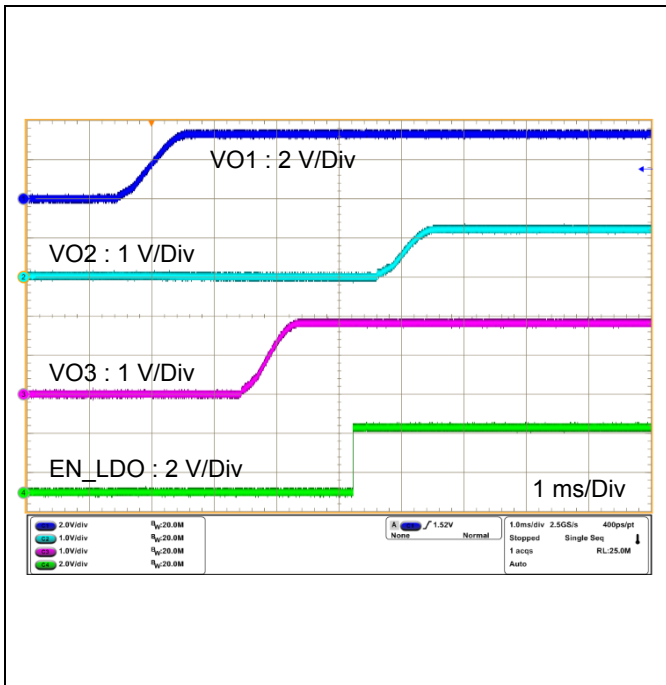


Figure 15. Start-up Waveform (G-MODE)

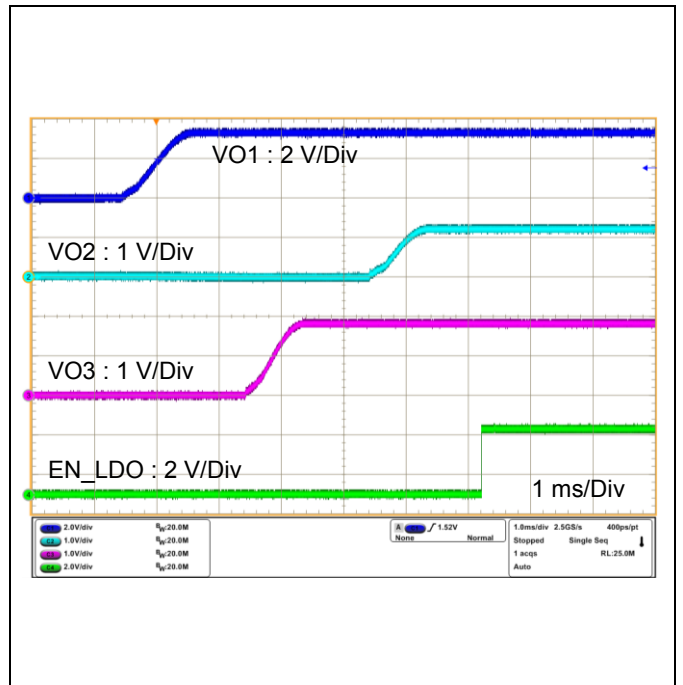


Figure 16. Start-up Waveform (H-MODE)

## Function Explanations

## Timing Chart of Start and Stop using EN (A, C, D, E, F-mode)

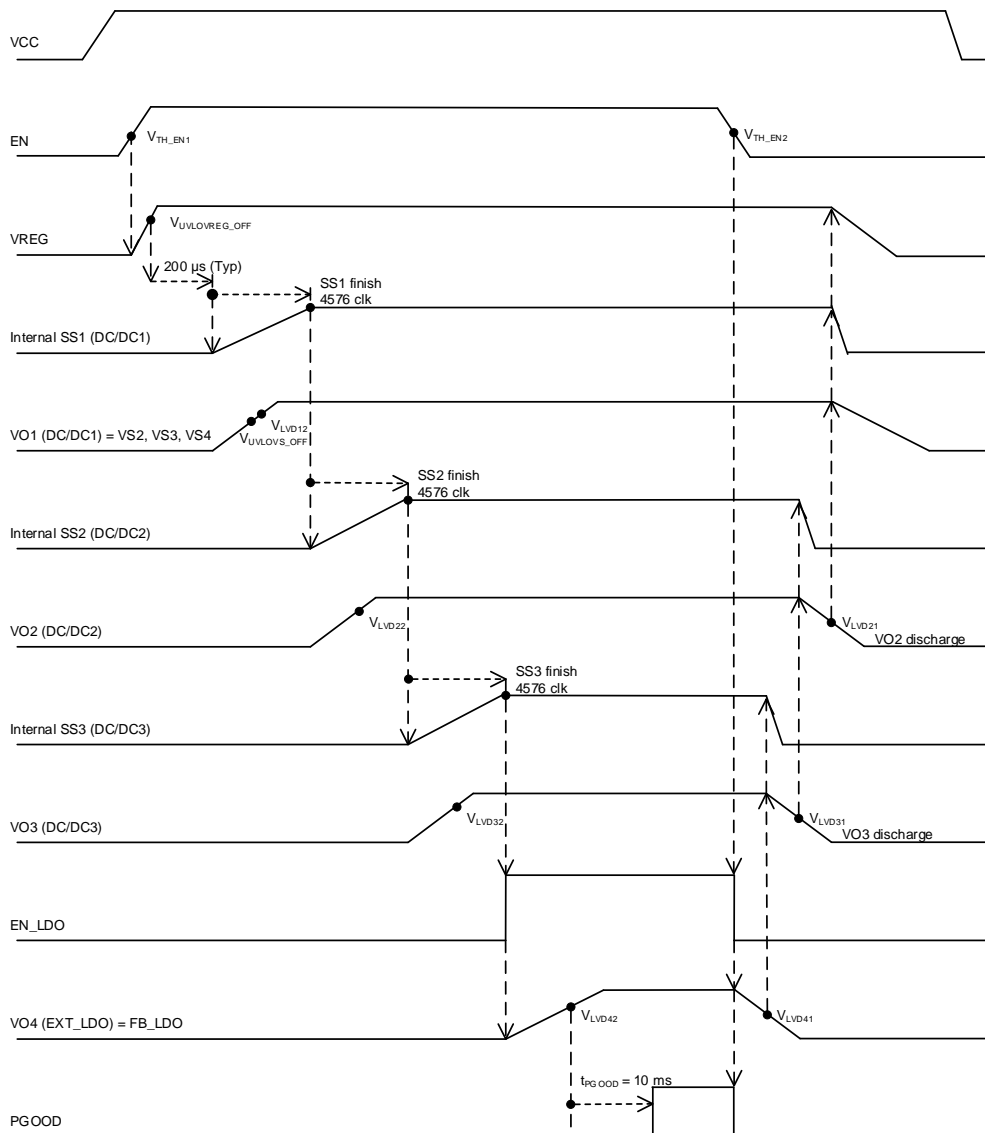


Figure 17. Output Timing Chart (EN Start-up and Stop)

## Output power up sequence

1. EN high input -> Internal regulator (VREG) starts up -> VREG power good.
2. VO1 (DC/DC1) starts up -> VO1 power good ( $VO1 > V_{LVD12}$ ), UVLO\_VS is canceled and internal SS1 is up.
3. VO2 (DC/DC2) starts up -> VO2 power good ( $VO2 > V_{LVD22}$ ), and internal SS2 is up.
4. VO3 (DC/DC3) starts up -> VO3 power good ( $VO3 > V_{LVD32}$ ), and internal SS3 is up.
5. EN\_LDO is up -> VO4 (External LDO) power good ( $VO4 > V_{LVD42}$ ).
6. Wait 10 ms (Typ) -> PGOOD is up (released). The "10 ms" time depends on  $f_{OSC2}$ .

## Output power down sequence

1. EN low input -> PGOOD low and EN\_LDO low -> VO4 (External LDO) falls.
2. LVD4 power bad or 10 ms (Typ) after EN low input -> stop VO3 (DC/DC3) operation and start discharging VO3.
3. LVD3 power bad or 10 ms (Typ) after VO3 discharge start -> stop VO2 (DC/DC2) operation and start discharging VO2.
4. LVD2 power bad or 10 ms (Typ) after VO2 discharge start -> stop VO1 (DC/DC1) operation including the internal regulators (VREG).

PGOOD operation is dependent on LVD1 to 4 conditions. The "10 ms" time depends on  $f_{OSC2}$ .

## Function Explanations – continued

## Timing Chart of Start and Stop using VCC ULVO (A, C, D, E, F-mode)

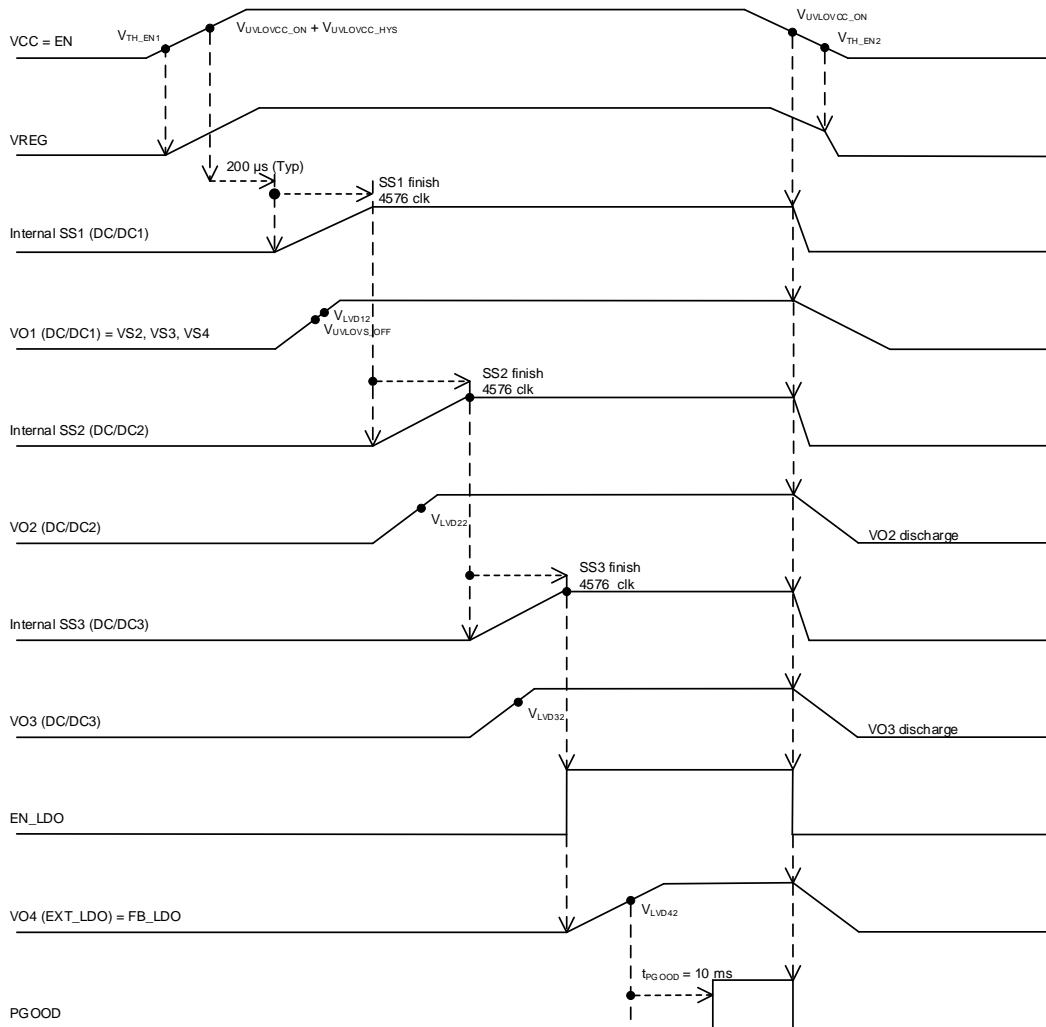


Figure 18 .Timing Chart (using VCC UVLO)

## Output power up sequence

1. VCC (EN) reaches its UVLO threshold -> Internal regulator (VREG) starts up -> VREG power good.
2. VO1 (DC/DC1) starts up -> VO1 power good ( $VO1 > V_{LVD12}$ ), UVLO\_VS is canceled and internal SS1 is up.
3. VO2 (DC/DC2) starts up -> VO2 power good ( $VO2 > V_{LVD22}$ ), and internal SS2 is up.
4. VO3 (DC/DC3) starts up -> VO3 power good ( $VO3 > V_{LVD32}$ ), and internal SS3 is up.
5. EN\_LDO is up -> VO4 (External LDO) power good ( $VO4 > V_{LVD42}$ ).
6. Wait 10 ms (Typ) -> PGOOD is up (released). The "10 ms" time depends on  $f_{OSC2}$ .
7. PGOOD operation is dependent on conditions of LVD1 to 4.

## Output power down sequence

1. VCC (EN) falls and crosses its falling UVLO threshold
2. PGOOD becomes low and stops operation of all outputs (VO1 to VO4) including the internal regulator (VREG).
3. Start discharging VO2 and VO3.

## Function Explanations – continued

## Timing Chart of Start and Stop using EN (B-mode)

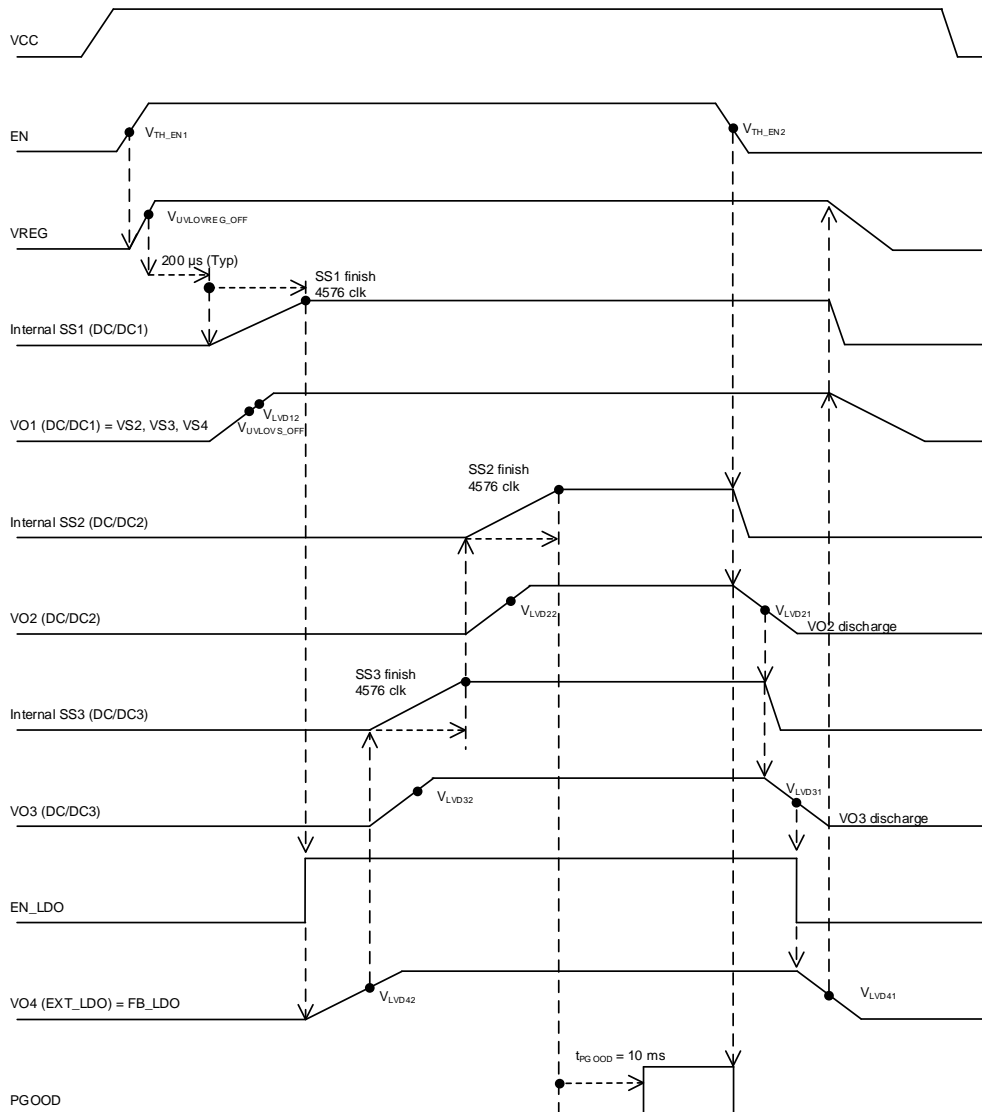


Figure 19. Output Timing Chart (EN Start-up and Stop)

## Output power up sequence

1. EN high input -> Internal regulator (VREG) starts up -> VREG power good.
2. VO1 (DC/DC1) starts up -> VO1 power good ( $VO1 > V_{LVD12}$ ), UVLO\_VS is canceled and internal SS1 is up.
3. EN\_LDO is up -> VO4 (External LDO) power good ( $VO4 > V_{LVD42}$ ).
4. VO3 (DC/DC3) starts up -> VO3 power good ( $VO3 > V_{LVD32}$ ), and internal SS3 is up.
5. VO2 (DC/DC2) starts up -> VO2 power good ( $VO2 > V_{LVD22}$ ), and internal SS2 is up.
6. Wait 10 ms (Typ) -> PGOOD is up (released). The “10 ms” time depends on  $f_{osc2}$ .

## Output power down sequence

1. EN low input -> PGOOD low -> stop VO2 (DC/DC2) operation and discharging VO2.
2. LVD2 power bad or 10 ms (Typ) after VO2 discharge start -> stop VO3 (DC/DC3) operation and start discharging VO3.
3. LVD3 power bad or 10 ms (Typ) after VO3 discharge start -> VO4 (External LDO) falls.
4. LVD4 power bad or 10 ms (Typ) after EN\_LDO low -> stop VO1 (DC/DC1) operation including the internal regulators (VREG).

PGOOD operation is dependent on LVD1 to 4 conditions. The “10 ms” time depends on  $f_{osc2}$ .

## Function Explanations – continued

## Timing Chart of Start and Stop using EN (G-mode)

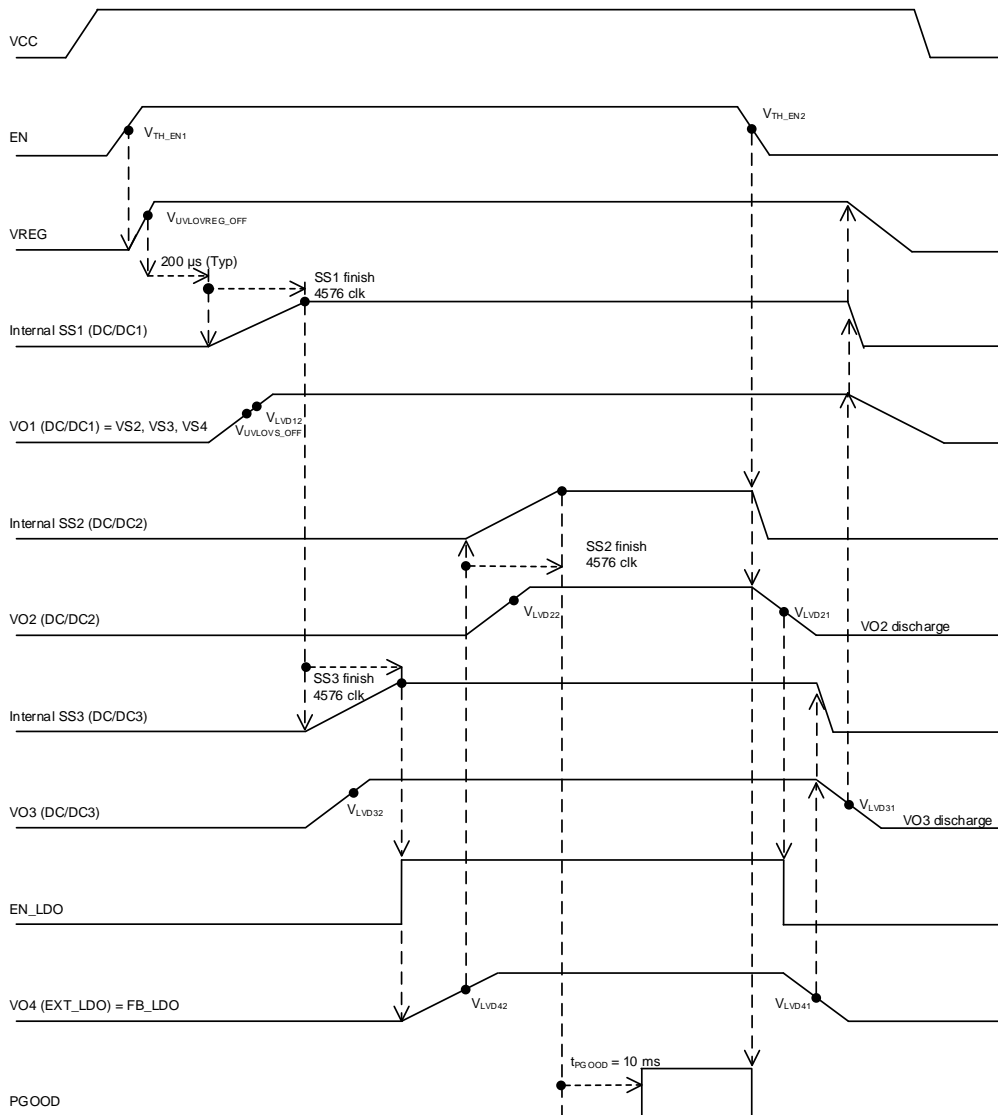


Figure 20. Output Timing Chart (EN Start-up and Stop)

## Output power up sequence

1. EN high input -> Internal regulator (VREG) starts up -> VREG power good.
2. VO1 (DC/DC1) starts up -> VO1 power good ( $VO1 > V_{LVD12}$ ), UVLO\_VS is canceled and internal SS1 is up.
3. VO3 (DC/DC3) starts up -> VO3 power good ( $VO3 > V_{LVD32}$ ), and internal SS3 is up.
4. EN\_LDO is up -> VO4 (External LDO) power good ( $VO4 > V_{LVD42}$ ).
5. VO2 (DC/DC2) starts up -> VO2 power good ( $VO2 > V_{LVD22}$ ), and internal SS2 is up.
6. Wait 10 ms (Typ) -> PGOOD is up (released). The "10 ms" time depends on  $f_{OSC2}$ .

## Output power down sequence

1. EN low input -> PGOOD low -> stop VO2 (DC/DC2) operation and discharging VO2.
2. LVD2 power bad or 10 ms (Typ) after VO2 discharge start -> VO4 (External LDO) falls.
3. LVD4 power bad or 10 ms (Typ) after EN\_LDO low -> stop VO3 (DC/DC3) operation and start discharging VO3.
4. LVD3 power bad or 10 ms (Typ) after VO3 discharge start -> stop VO1 (DC/DC1) operation including the internal regulators (VREG).

PGOOD operation is dependent on LVD1 to 4 conditions. The "10 ms" time depends on  $f_{OSC2}$ .

## Function Explanations – continued

## Timing Chart of Start and Stop using EN (H-mode)

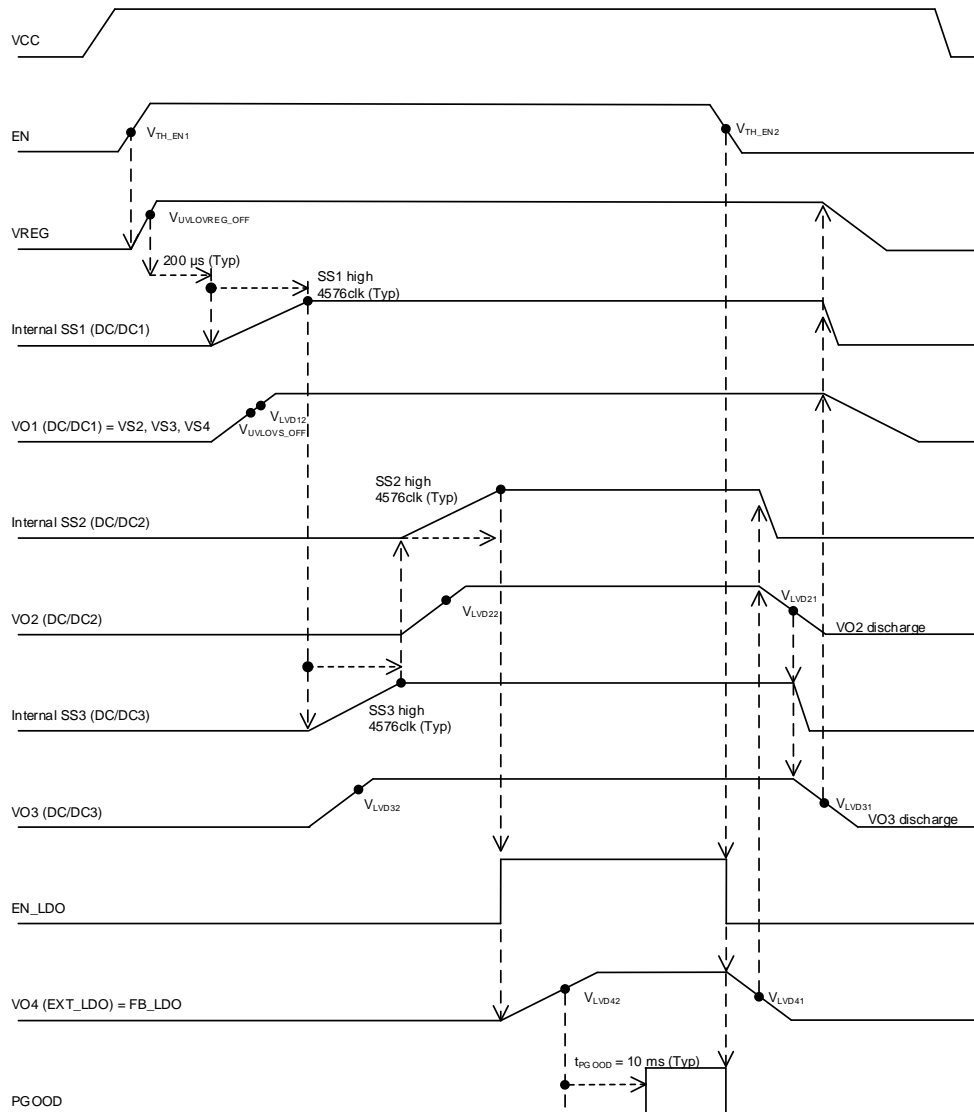


Figure 21. Output Timing Chart (EN Start-up and Stop)

## Output power up sequence

1. EN high input -> Internal regulator (VREG) starts up -> VREG power good.
2. VO1 (DC/DC1) starts up -> VO1 power good ( $VO1 > V_{LVD12}$ ), UVLO\_VS is canceled and internal SS1 is up.
3. VO3 (DC/DC3) starts up -> VO3 power good ( $VO3 > V_{LVD32}$ ), and internal SS3 is up.
4. VO2 (DC/DC2) starts up -> VO2 power good ( $VO2 > V_{LVD22}$ ), and internal SS2 is up.
5. EN\_LDO is up -> VO4 (External LDO) power good ( $VO4 > V_{LVD42}$ ).
6. Wait 10 ms (Typ) -> PGOOD is up (released). The "10 ms" time depends on  $f_{OSC2}$ .

## Output power down sequence

1. EN low input -> PGOOD low and EN\_LDO low -> VO4 (External LDO) falls.
2. LVD4 power bad or 10 ms (Typ) after EN low input -> stop VO2 (DC/DC2) operation and start discharging VO2.
3. LVD2 power bad or 10 ms (Typ) after VO2 discharge start -> stop VO3 (DC/DC3) operation and start discharging VO3.
4. LVD3 power bad or 10 ms (Typ) after VO3 discharge start -> stop VO1 (DC/DC1) operation including the internal regulators (VREG).

PGOOD operation is dependent on LVD1 to 4 conditions. The "10 ms" time depends on  $f_{OSC2}$ .

Application Examples

1. Caution on PCB Layout

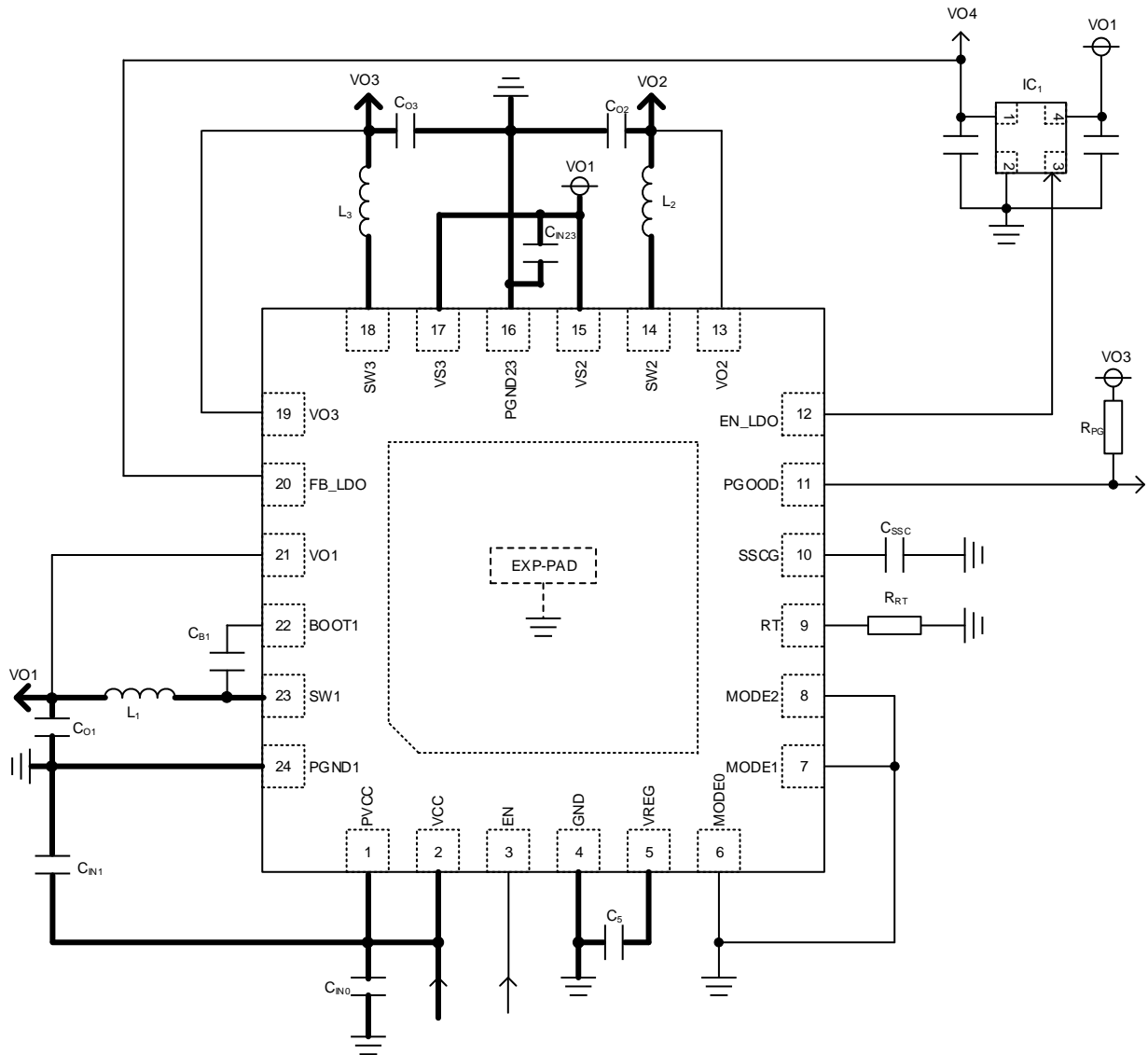


Figure 22.Circuits Example

- I. Connect line in bold as short as possible with wide pattern.
- II. Place input capacitor  $C_{IN0}$ ,  $C_{IN1}$ ,  $C_{IN23}$  and  $C_5$  close to IC as much as possible. Especially distance between  $C_{IN0}$  and IC must be connected in top layer not through via.
- III. Place  $C_{SSC}$  and  $R_{RT}$  near IC as much as possible.
- IV. Sense line of VO1, VO2, VO3 and FB\_LDO must be placed far from  $L_1$ ,  $L_2$  and  $L_3$  as much as possible.
- V. Connect all GND pin (GND, PGND1 and PGND23) and EXP-PAD as short as possible in top layer.
- VI. Connect EXP-PAD directly to the GND pin.



1. Caution on PCB Layout – continued

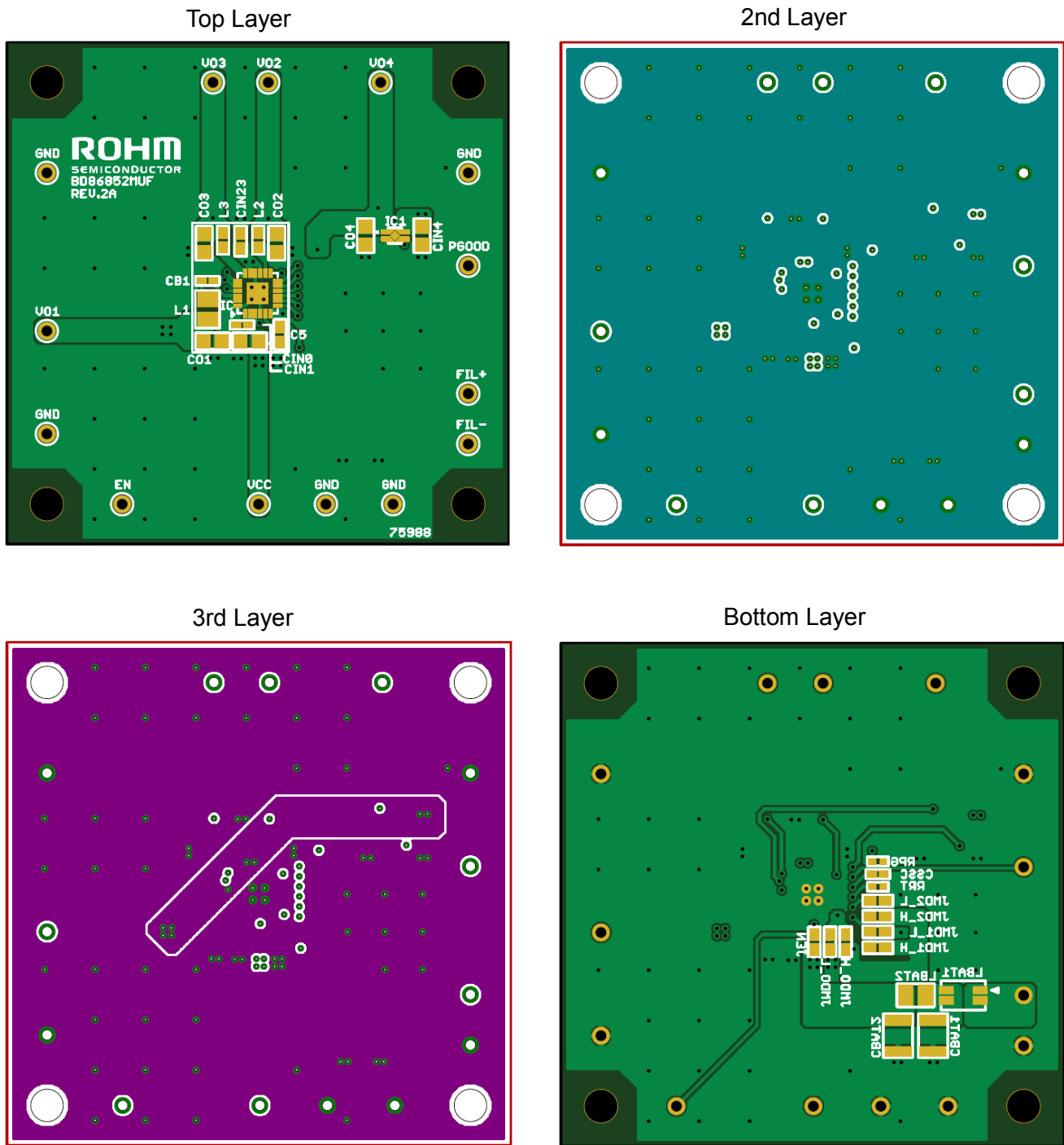


Figure 23. Recommendation Layout Pattern

## Application Examples – continued

### 2. Selection of Components Externally Connected

#### 2.1 Selection of the Inductor L (L<sub>1</sub>, L<sub>2</sub> and L<sub>3</sub>)

When the switching regulator supplies current continuously to the load, the LC filter is necessary to smooth the output voltage. The inductor ripple current  $\Delta I_L$  that flows to the inductor becomes small when an inductor with a large inductance value is selected. Consequently, the voltage of the output ripple also becomes small.

Refer to "Circuit Example" for the recommended inductors.

Maximum  $\Delta I_L$  is shown in the following equation.

$$\Delta I_L = \frac{(V_{VCC(MAX)} - V_{VO}) \times V_{VO}}{L \times V_{VCC(MAX)} \times f_{SW}} \quad [A]$$

Where:

$V_{VCC(MAX)}$  is the maximum input voltage. DC/DC1 is PVCC, DC/DC2 is VS2, and DC/DC3 is VS3.

$f_{SW}$  is switching frequency.

L is the value of inductor.

It contributes to the miniaturization of the application if the inductance value is small. The disadvantages are the increase in the voltage of output ripple. It contributes to the small voltage of the output ripple if the inductance value is large. The disadvantages are the increase in the size of inductor.

The maximum output electric current is limited to the overcurrent protection working current as shown in the following equation.

$$I_{O(MAX)} = I_{SW(MAX)} + \frac{\Delta I_L}{2} \quad [A]$$

Where:

$I_{O(MAX)}$  is the maximum output current.

$I_{SW(MAX)}$  is the maximum SW load current.

#### 2.2 Selection of the Output Capacitor CO (C<sub>O1</sub>, C<sub>O2</sub>, C<sub>O3</sub>)

The voltage of output ripple  $\Delta V_{PP}$  is shown in the following equation.

$$\Delta V_{PP} = \Delta I_L \times \left( R_{ESR} + \frac{1}{8 \times C_O \times f_{SW}} \right) \quad [V]$$

Where:

$R_{ESR}$  is the equivalent series resistance of output capacitor.

$C_O$  is the value of output capacitor.

$\Delta V_{PP}$  can be reduced by using a capacitor with a small ESR. The ceramic capacitor is the best option that meets this requirement. Confirm frequency characteristic of ESR from the datasheet of the manufacturer, and consider ESR value to be low in the switching frequency being used. It is necessary to consider the ceramic capacitor, because the DC biasing characteristic is remarkable. By selecting these high voltage ratings, it is possible to reduce the influence of DC bias characteristics.

Refer to "Circuit Example" for the recommended output capacitors.

These capacitors are rated in ripple current. The RMS values of the ripple current that can be obtained in the following equation must not exceed the ratings ripple current.

$$I_{(RMS)} = \frac{\Delta I_L}{\sqrt{12}} \quad [A]$$

Where :

$R_{ESR}$  is the equivalent series resistance of output capacitor.

$C_O$  is the value of output capacitor.

## 2. Selection of Components Externally Connected – continued

### 2.3 Selection of the Output Capacitor $C_5$

A ceramic capacitor is needed for the internal regulator VREG pin. Moreover, in order to maintain good temperature characteristics, the one with the X7R characteristic or better is recommended. The voltage rating is recommended to 3 times or more the output voltage. Refer to "[Circuit Example](#)" for the recommended output capacitor.

### 2.4 Selection of Input Capacitor $C_{IN}$ ( $C_{IN0}$ , $C_{IN1}$ , $C_{IN23}$ )

The input capacitor is usually required for two types of decoupling capacitors, the  $C_{IN}$  and the bulk capacitors. Ceramic capacitors are effective by being placed as close as possible to the VCC (PVCC, VS2 and VS3) pin and the GND (PGND1 and PGND23) pin. Voltage rating is recommended to 1.2 times or more the maximum input voltage. Refer to "[Circuit Example](#)" for the recommended input capacitors. Also, the IC might not function properly when the PCB layout or the position of the capacitor is not good. Refer to "[Caution on PCB Layout](#)".

The bulk capacitor is an option. The bulk capacitor prevents the decrease in the line voltage and serves a backup power supply to keep the input potential constant. The RMS value of the input ripple electric current is obtained in the following equation. In that case, consider not to exceed the rated ripple current of the capacitor. The RMS value of the input ripple electric current is obtained in the following equation.

$$I_{VCC(RMS)} = \sqrt{\frac{V_{VO}}{V_{VCC}} \times \left\{ I_O^2 \times \left( 1 - \frac{V_{VO}}{V_{VCC}} \right) + \frac{\Delta I_L^2}{12} \right\}} \text{ [A]}$$

Where:

$I_{VCC(RMS)}$  is the RMS value of the input ripple electric current.

$V_{VCC}$  is the input voltage. DC/DC1 is PVCC, DC/DC2 is VS2, and DC/DC3 is VS3.

$V_{VO}$  is the output voltage. DC/DC1 is VO1, DC/DC2 is VO2, and DC/DC3 is VO3.

### 2.5 Selection of Capacitor $C_{B1}$

The  $C_{B1}$  is the capacitor between the BOOT1 pin and the SW1 pin for bootstrapping. The voltage of the  $C_{B1}$  and SW1 is same as VREG. The recommended capacitor type is a ceramic capacitor. The  $C_{B1}$  must be set to 47 nF. Moreover, the X7R or better capacitor is recommended.

### 2.6 Selection of Resistor at the EN Pin

The EN pin node potentially have unexpected short to VCC or GND on the assumption of accidental foreign objects that physically shorts pin-to-pin. The resistor in series to the EN pin can minimize the fatal damage for the external components. If the destructive damage is expected by the external components, use the resistor in series to the EN pin to limit the current. The resistance is 20 kΩ or less.

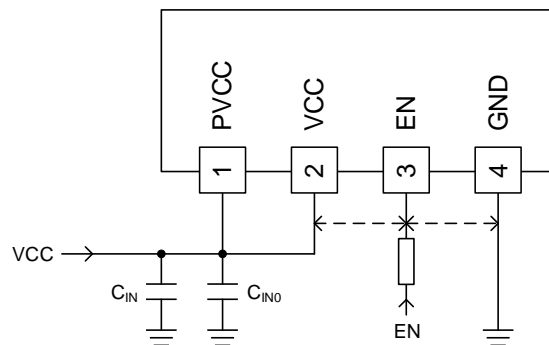


Figure 24. EN Pin Resistance

2. Selection of Components Externally Connected – continued

2.7 Selection of SSCG Pin Capacitor

The SSCG pin must be short to GND, if the spread spectrum feature is not used. The capacitor (CSSC) is necessary to SSCG pin, if the spread spectrum feature is used. Use 3300 pF for  $f_{m\_SSCG} = 2.5 \text{ kHz}$  (Typ) modulation. (No other options)

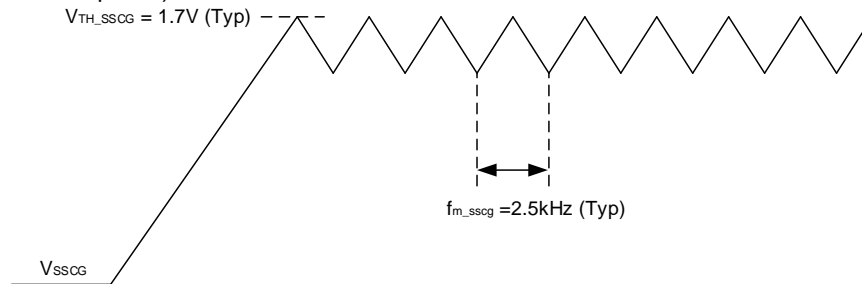


Figure 25. SSCG pin function

2.8 Selection of Resistor at RT Pin

Switching frequency depends on resistor value connected to the RT pin. RT resistor must be set to 27 kΩ. The resistor tolerance must be ±1 % or less. (No other options)

2.9 Selection of External LDO

External LDO (IC<sub>1</sub>) recommends BUxxJA2MNVX-C a miniature package. Please select external LDO by referring to “[Mode Setting Description](#)”. If output current of VO4 exceed the following table value, adjust VO1 voltage to secure input/output voltage differences, or selecting LDO with better drop out voltage characteristic is recommended. Please refer [Application circuit example \(Using the VO1 resistance\)](#) for the method to adjust VO1 voltage.

| External LDO  | VO1 Voltage (typ.) | VO4 Voltage (typ.) | VO4 output current |
|---------------|--------------------|--------------------|--------------------|
| BU28JA2MNVX-C | 3.3 V              | 2.8 V              | ≤ 120 mA           |
| BU29JA2MNVX-C | 3.3 V              | 2.9 V              | ≤ 90 mA            |
| BU33JA2MNVX-C | 3.9 V              | 3.3 V              | ≤ 140 mA           |

Application Examples – continued

3. Circuit Example

3.1 Parts Functional Description

| Item             | Note                                    | Item              | Note                                     |
|------------------|-----------------------------------------|-------------------|------------------------------------------|
| IC <sub>1</sub>  | External LDO                            | C <sub>SSC</sub>  | Setting to spread spectrum ratio         |
| R <sub>RT</sub>  | Setting to switching frequency resistor | C <sub>IN1</sub>  | VO1 input capacitor                      |
| R <sub>PG</sub>  | PGOOD pull-up resistor                  | C <sub>O1</sub>   | VO1 output capacitor                     |
| L <sub>1</sub>   | VO1 output coil                         | C <sub>B1</sub>   | VO1 boot strap capacitor                 |
| L <sub>2</sub>   | VO2 output coil                         | C <sub>IN23</sub> | VO2 and VO3 input (VO1 output) capacitor |
| L <sub>3</sub>   | VO3 output coil                         | C <sub>O2</sub>   | VO2 output capacitor                     |
| C <sub>IN0</sub> | VCC input capacitor                     | C <sub>O3</sub>   | VO3 output capacitor                     |
| C <sub>5</sub>   | VREG output capacitor                   | -                 | -                                        |

3.2 Circuit Diagram

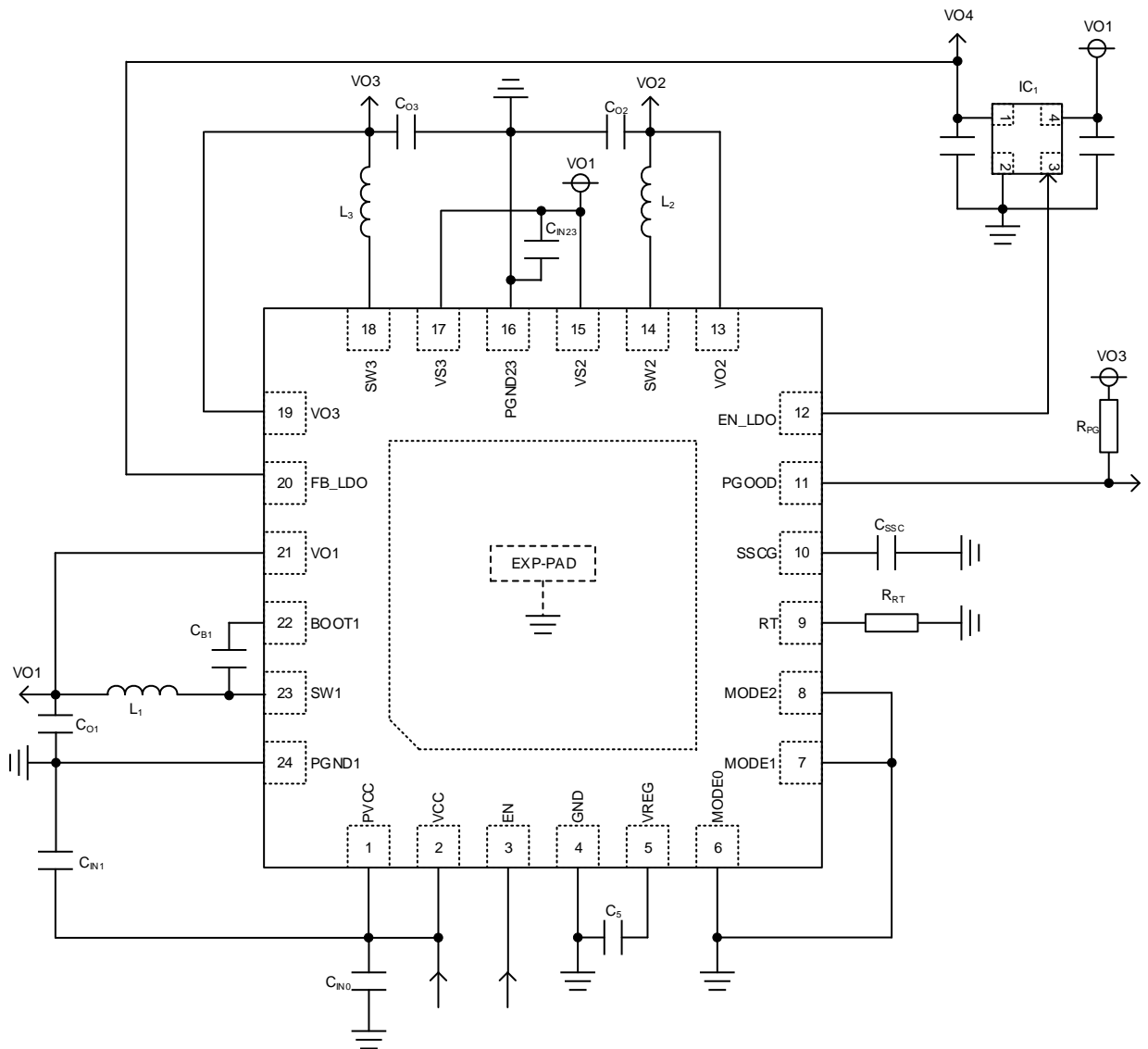


Figure 26. Application Circuits Example

## 3. Circuit Example - continued

## 3.3 Component Coefficient (No.1)

| Case1 (Light load model) |                | Output Current   |
|--------------------------|----------------|------------------|
| V <sub>VCC</sub>         | 4.0 V to 18 V  | -                |
| VO1                      | 3.3 V          | ≤ 0.3 A (Note 1) |
| VO2                      | 1.1 V or 1.2 V | ≤ 0.25 A         |
| VO3                      | 1.8 V          | ≤ 0.25 A         |

(Note 1) Include VO2, VO3 and VO4 current.

| Case2 (Light load model) |               | Output Current   |
|--------------------------|---------------|------------------|
| V <sub>VCC</sub>         | 5.0 V to 18 V | -                |
| VO1                      | 3.9 V         | ≤ 0.3 A (Note 1) |
| VO2                      | 1.2 V         | ≤ 0.25 A         |
| VO3                      | 1.8 V         | ≤ 0.25A          |

(Note 1) Include VO2, VO3 and VO4 current.

| Item                       | Value           |      |                 | UNIT | Parts No.         | Size            | Maker |
|----------------------------|-----------------|------|-----------------|------|-------------------|-----------------|-------|
|                            | Min<br>(Note 1) | Typ  | Max<br>(Note 2) |      |                   |                 |       |
| IC                         | -               | -    | -               | -    | BD86852MUF-C      | 4.0 mm x 4.0 mm | ROHM  |
| IC <sub>1</sub>            | -               | -    | -               | -    | BUxxJA2MNVX-C     | 1.0 mm x 1.0 mm |       |
| R <sub>RT</sub>            | 26.4            | 27.0 | 27.6            | kΩ   | MCR01MZPF2702     | 1005            |       |
| R <sub>PG</sub>            | 9               | 10   | 11              | kΩ   | MCR01MZPJ103      | 1005            |       |
| C <sub>IN0</sub>           | 0.05            | 0.10 | 0.15            | μF   | CGA2B3X7R1E104K   | 1005            | TDK   |
| C <sub>5</sub>             | 0.5             | 1.0  | 3.3             | μF   | CGA3E1X7R1C105K   | 1608            |       |
| C <sub>IN1</sub>           | 2.0             | 4.7  | 15.0            | μF   | CGA4J1X7R1E475K   | 2012            |       |
| C <sub>SSC</sub>           | 2300            | 3300 | 4400            | pF   | CGA2B2X7R1H332K   | 1005            |       |
| C <sub>O1</sub> (Note 3)   | 5               | 10   | 21              | μF   | CGA4J1X7R0J106K   | 2012            |       |
| C <sub>B1</sub>            | 22              | 47   | 70              | nF   | CGA2B2X7R1C473K   | 1005            |       |
| C <sub>IN23</sub> (Note 3) | 1.2             | 2.2  | 6.0             | μF   | CGA4J3X7R1C225K   | 2012            |       |
| C <sub>O2</sub>            | 5               | 10   | 35              | μF   | CGA4J1X7R0J106K   | 2012            |       |
| C <sub>O3</sub>            | 5               | 10   | 35              | μF   | CGA4J1X7R0J106K   | 2012            |       |
| L <sub>1</sub>             | -(Note 4)       | 3.3  | 4.2             | μH   | MLD2016S3R3MTD25  | 2016            |       |
| L <sub>2</sub>             | -(Note 5)       | 1.5  | 3.0             | μH   | TFM201610ALMA1R5M | 2016            |       |
| L <sub>3</sub>             | -(Note 5)       | 1.5  | 3.0             | μH   | TFM201610ALMA1R5M | 2016            |       |

(Note 1) Consider tolerance, temperature characteristic and DC bias properties not to become less than the minimum

(Note 2) Consider tolerance and temperature characteristic not to become bigger than the maximum.

(Note 3) Total capacity attached to VO1 node must not exceed 40 μF.

(Note 4) Choose an inductor of 3.3 μH (Typ). It must not become less than 2.0 μH including tolerance, temperature characteristic and DC superposition characteristics.

(Note 5) Choose an inductor of 1.5 μH (Typ) or 2.2 μH (Typ). It must not become less than 1.0 μH including tolerance, temperature characteristic and DC superposition characteristics.

## 3. Circuit Example - continued

## 3.4 Component Coefficient (No.2)

| Case3 (Middle load model) |                | Output Current              |
|---------------------------|----------------|-----------------------------|
| V <sub>VCC</sub>          | 4.5 V to 18 V  | -                           |
| VO1                       | 3.3 V          | ≤ 1.0 A <sup>(Note 1)</sup> |
| VO2                       | 1.1 V or 1.2 V | ≤ 0.7 A                     |
| VO3                       | 1.8 V          | ≤ 0.5 A                     |

(Note 1) Include VO2, VO3 and VO4 current.

| Case4 (Middle load model) |               | Output Current              |
|---------------------------|---------------|-----------------------------|
| V <sub>VCC</sub>          | 5.5 V to 18 V | -                           |
| VO1                       | 3.9 V         | ≤ 1.0 A <sup>(Note 1)</sup> |
| VO2                       | 1.2 V         | ≤ 0.7 A                     |
| VO3                       | 1.8 V         | ≤ 0.5 A                     |

(Note 1) Include VO2, VO3 and VO4 current.

| Case5 (Heavy load model) |                | Output Current              |
|--------------------------|----------------|-----------------------------|
| V <sub>VCC</sub>         | 5.0 V to 18 V  | -                           |
| VO1                      | 3.3 V          | ≤ 2.0 A <sup>(Note 1)</sup> |
| VO2                      | 1.1 V or 1.2 V | ≤ 1.0 A                     |
| VO3                      | 1.8 V          | ≤ 1.0 A                     |

(Note 1) Include VO2, VO3 and VO4 current.

| Case6 (Heavy load model) |               | Output Current              |
|--------------------------|---------------|-----------------------------|
| V <sub>VCC</sub>         | 6.0 V to 18 V | -                           |
| VO1                      | 3.9 V         | ≤ 2.0 A <sup>(Note 1)</sup> |
| VO2                      | 1.2 V         | ≤ 1.0 A                     |
| VO3                      | 1.8 V         | ≤ 1.0 A                     |

(Note 1) Include VO2, VO3 and VO4 current.

| Item                                  | Value                  |      |                        | UNIT | Parts No.         | Size            | Maker |
|---------------------------------------|------------------------|------|------------------------|------|-------------------|-----------------|-------|
|                                       | Min<br><i>(Note 1)</i> | Typ  | Max<br><i>(Note 2)</i> |      |                   |                 |       |
| IC                                    | -                      | -    | -                      | -    | BD86852MUF-C      | 4.0 mm x 4.0 mm | ROHM  |
| IC <sub>1</sub>                       | -                      | -    | -                      | -    | BUxxJA2MNVX-C     | 1.0 mm x 1.0 mm |       |
| R <sub>RT</sub>                       | 26.4                   | 27.0 | 27.6                   | kΩ   | MCR01MZPF2702     | 1005            |       |
| R <sub>PG</sub>                       | 9                      | 10   | 11                     | kΩ   | MCR01MZPJ103      | 1005            |       |
| C <sub>IN0</sub>                      | 0.05                   | 0.10 | 0.15                   | μF   | CGA2B3X7R1E104K   | 1005            | TDK   |
| C <sub>5</sub>                        | 0.5                    | 1.0  | 3.3                    | μF   | CGA3E1X7R1C105K   | 1608            |       |
| C <sub>IN1</sub>                      | 2.0                    | 4.7  | 15.0                   | μF   | CGA4J1X7R1E475K   | 2012            |       |
| C <sub>SSC</sub>                      | 2300                   | 3300 | 4400                   | pF   | CGA2B2X7R1H332K   | 1005            |       |
| C <sub>O1</sub> <sup>(Note 3)</sup>   | 5                      | 10   | 21                     | μF   | CGA4J1X7R0J106K   | 2012            |       |
| C <sub>B1</sub>                       | 22                     | 47   | 70                     | nF   | CGA2B2X7R1C473K   | 1005            |       |
| C <sub>IN23</sub> <sup>(Note 3)</sup> | 1.2                    | 2.2  | 6.0                    | μF   | CGA4J3X7R1C225K   | 2012            |       |
| C <sub>O2</sub>                       | 5                      | 10   | 35                     | μF   | CGA4J1X7R0J106K   | 2012            |       |
| C <sub>O3</sub>                       | 5                      | 10   | 35                     | μF   | CGA4J1X7R0J106K   | 2012            |       |
| L <sub>1</sub>                        | - <sup>(Note 4)</sup>  | 3.3  | 4.2                    | μH   | TFM252012ALMA3R3M | 2520            |       |
| L <sub>2</sub>                        | - <sup>(Note 5)</sup>  | 1.5  | 3.0                    | μH   | TFM201610ALMA1R5M | 2016            |       |
| L <sub>3</sub>                        | - <sup>(Note 5)</sup>  | 1.5  | 3.0                    | μH   | TFM201610ALMA1R5M | 2016            |       |

(Note 1) Consider tolerance, temperature characteristic and DC bias properties not to become less than the minimum

(Note 2) Consider tolerance and temperature characteristic not to become bigger than the maximum.

(Note 3) Total capacity attached to VO1 node must not exceed 40 μF.

(Note 4) Choose an inductor of 3.3 μH (Typ). It must not become less than 2.0 μH including tolerance, temperature characteristic and DC superposition characteristics.

(Note 5) Choose an inductor of 1.5 μH (Typ) or 2.2 μH (Typ). It must not become less than 1.0 μH including tolerance, temperature characteristic and DC superposition characteristics.

3. Circuit Example - continued

3.5 Application Circuit Example (FB\_LDO and EN\_LDO Not Connect)

When FB\_LDO and EN\_LDO are not connected to external LDO, connect FB\_LDO to EN\_LDO. In this case, LVD and OVD of VO4 are not detected. And sequence of VO4 cannot be controlled.

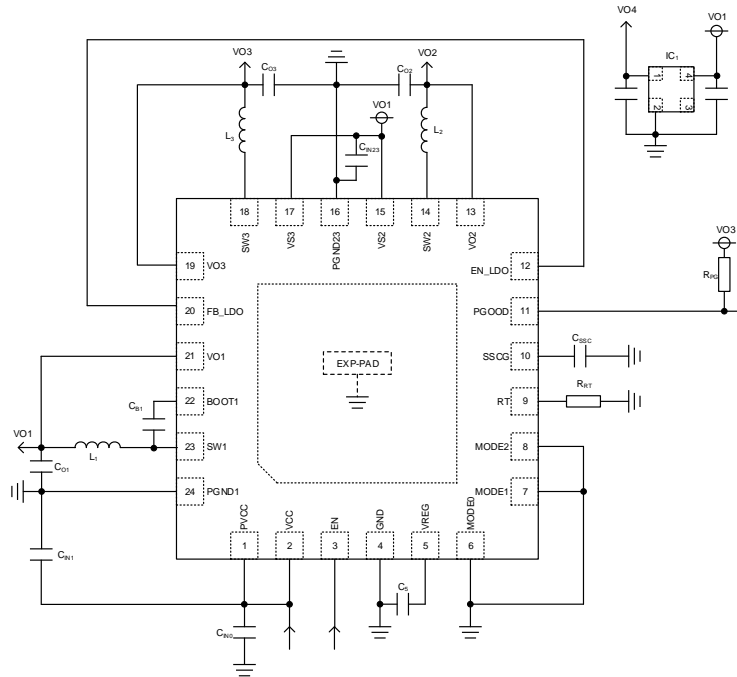


Figure 27. Application Circuit Example (FB\_LDO and EN\_LDO not connect)

3.6 Application Circuit Example (FB\_LDO Not Connect)

When FB\_LDO is not connected to external LDO, connect FB\_LDO to EN\_LDO. In this case, LVD and OVD of VO4 are not detected.

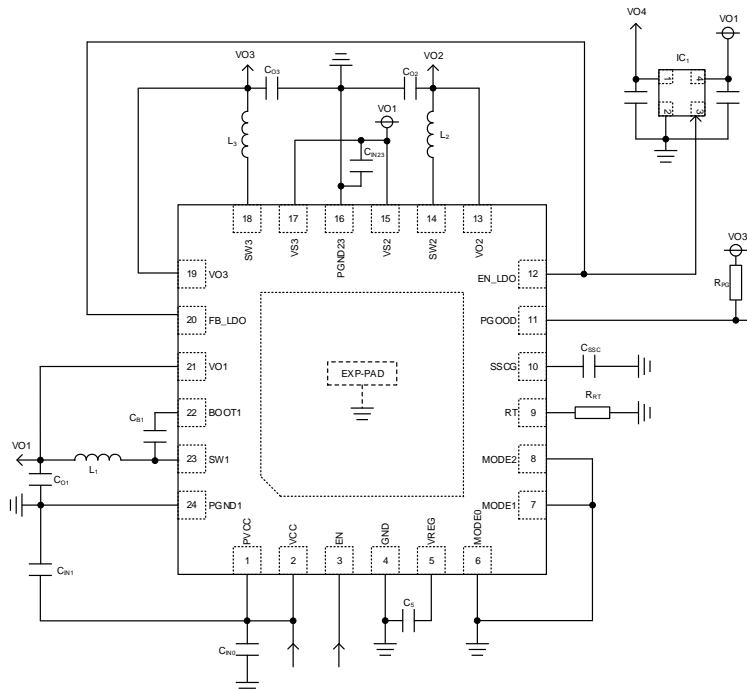


Figure 28. Application Circuit Example (FB\_LDO not connect)



3. Circuit Example - continued

3.7 Application Circuit Example (EN\_LDO Not Connect)

When EN\_LDO is not connected to external LDO, open EN\_LDO pin.  
 In this case, sequence of VO4 cannot be controlled.

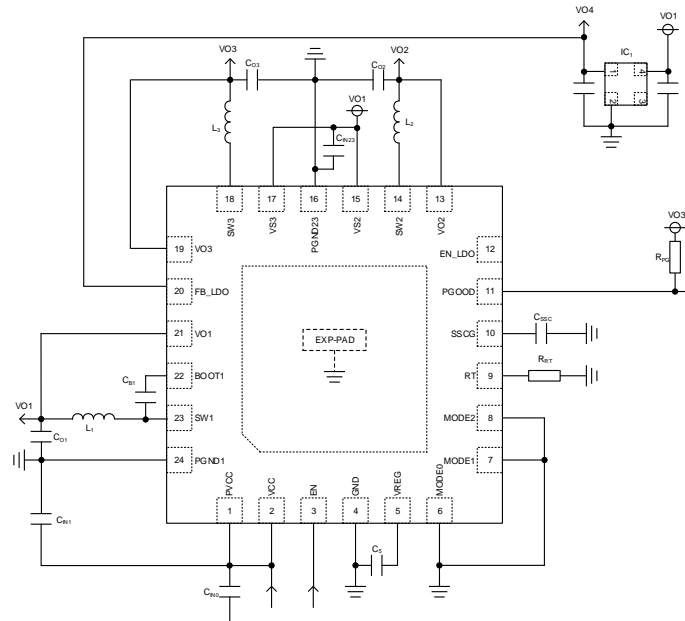


Figure 29. Application Circuit Example (EN\_LDO not connect)

3. Circuit Example - continued

3.8 Application Circuit Example (Using the EN Resistance)

When VCC input voltage is high enough, by using resistance division resistance (REN1, REN2) of VCC, it's possible to turn off the output voltage in turn without externally controlling the EN pin.

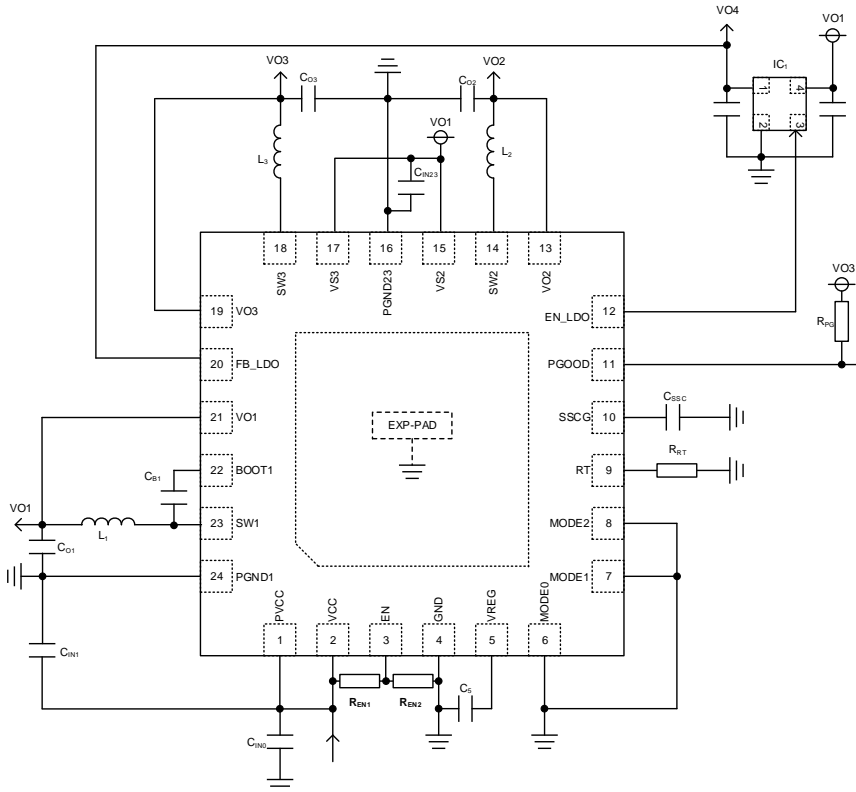


Figure 30. Application Circuit Example (Using the EN resistance)

It is necessary to make VEN more than VTH\_EN1 at power up sequence, and less than VTH\_EN2 before VUVLOVCC turns ON at power down sequence. Please choose REN1, REN2 to satisfy the following expressions.

$$V_{EN} = \frac{(V_{VCC(MIN)} \times R_{EN2} - R_{EN1} \times R_{EN2} \times I_{EN(MAX)})}{R_{EN1} + R_{EN2}} \geq V_{TH\_EN1(MAX)}$$

$$V_{EN} = \frac{(V_{UVLOVCC\_ON(MAX)} \times R_{EN2} - R_{EN1} \times R_{EN2} \times I_{EN(MIN)})}{R_{EN1} + R_{EN2}} \leq V_{TH\_EN2(MIN)}$$

Where:

- VCC(MIN) is the minimum input voltage.
- IEN(MAX): 45 μA
- VTH\_EN1(MAX): 2.6 V
- VUVLOVCC\_ON(MAX): 3.6 V
- IEN(MIN): 5 μA
- VTH\_EN2(MIN): 1.5 V

3.8 Application Circuit Example (Using the EN Resistance) - continued

It is necessary that each output voltage is OFF before  $V_{UVLOVCC}$  turns ON to make outputs sequentially OFF. Discharge time after each output turns OFF to LVD starts can be calculated by the following expressions.

$$t_i = - C_{Oi} \times R_{VOiDIS} // R_{LOADi} \times \ln\left(\frac{V_{LVDi}}{V_{Oi}}\right)$$

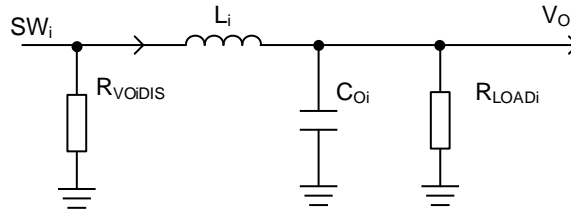


Figure 31. Discharge Resistor

Where:

- $R_{VOIDIS}$ : Discharge resistor (DCDC2, DCDC3)
- $V_{LVDi}$ : LVD Operating Voltage
- $R_{LOADi}$ : Load resistor
- $C_{O_i}$ : Output capacitor
- $V_{O_i}$ : Output Voltage
- DCR of  $L_i$  is not considered

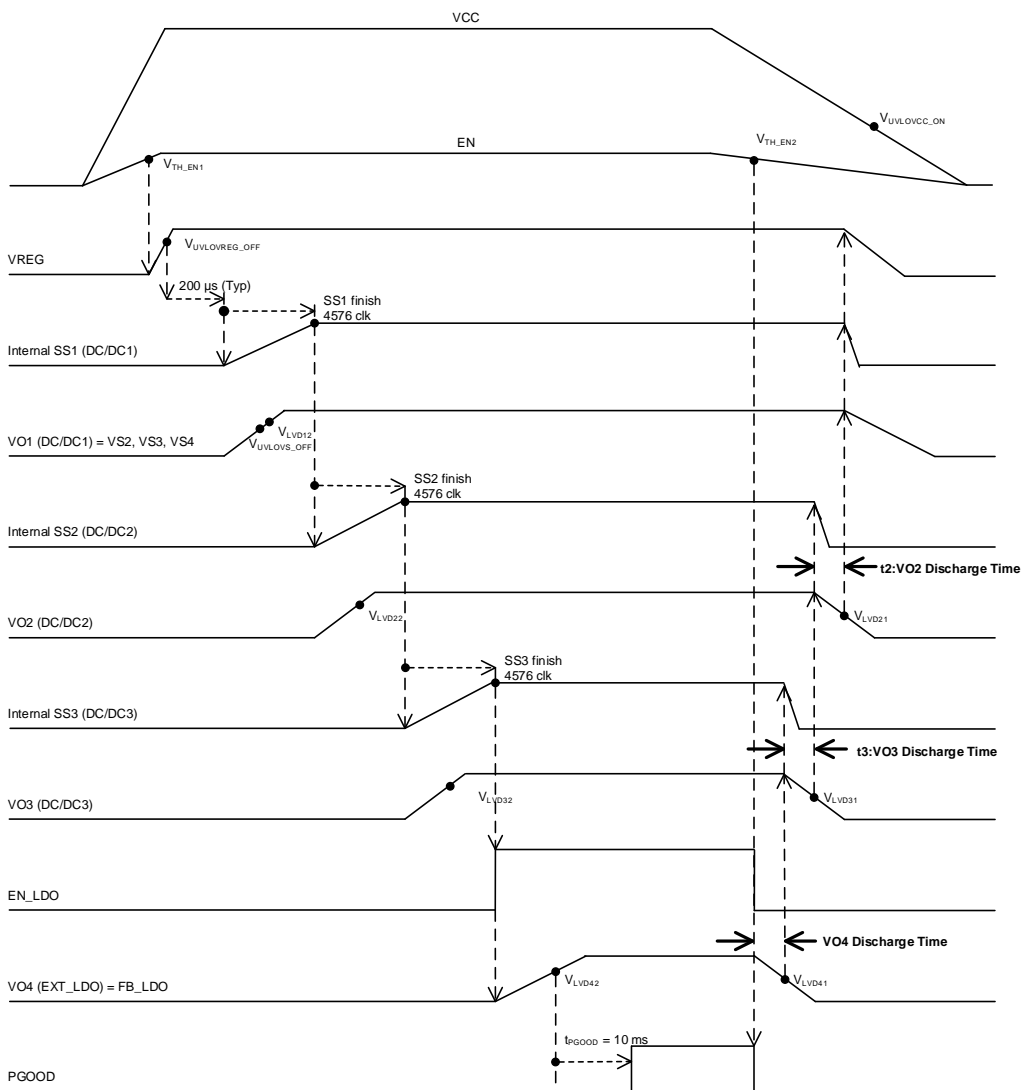


Figure 32. Output Timing Chart (Using the EN Resistance)

3. Circuit Example - continued

3.9 Application Circuit Example (Using the VO1 Resistance)

It's possible to adjust input voltage of DCDC2, DCDC3 and Ext LDO ( $V_{VO1\_adj}$ ) by the following dividing resistance ( $R_{VO1A}$ ,  $R_{VO1B}$ ).

$$V_{VO1\_adj} = \frac{(R_{VO1A} + R_{VO1B})}{R_{VO1B}} \times (V_{VO1} + R_{VO1A} \times I_{VO1\_CUR})$$

Where:

$R_{VO1A}$ : Please select resistance value less than 5 kΩ.

$I_{VO1\_CUR}$ : VO1 Input current

Please choose  $R_{VO1A}$  and  $R_{VO1B}$  so that  $V_{VO1\_adj}$  does not exceed 4.0 V.

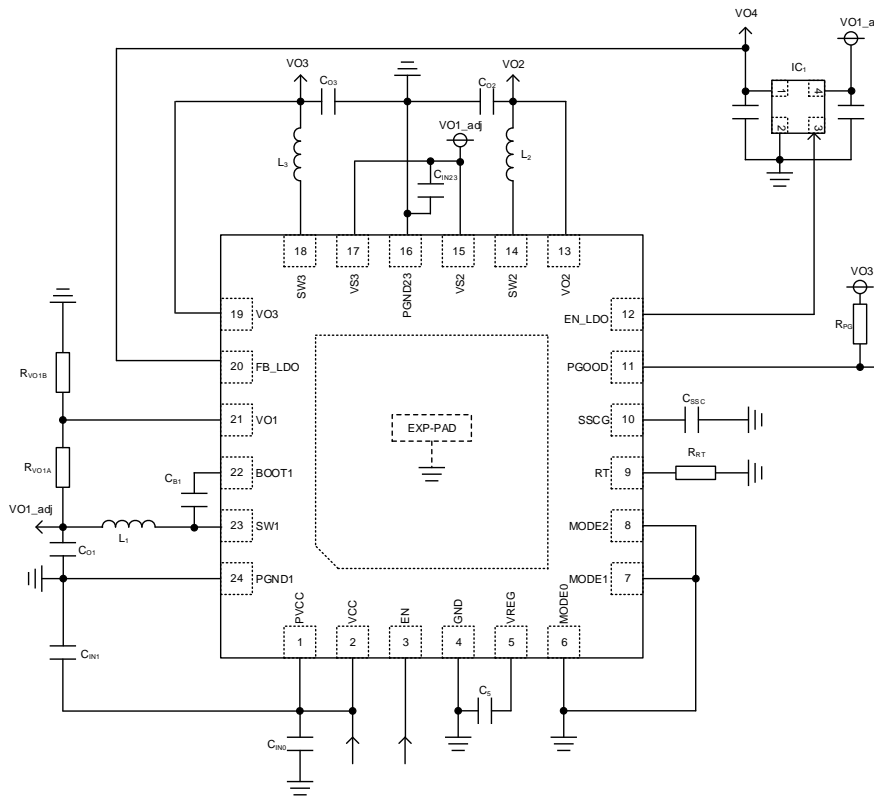


Figure 33. Application Circuit Example (Using the VO1 Resistance)

**Power Loss**

Use good margin to keep the Ta and Tj operating range in the thermal design below. Do not exceed the temperature specification of Ta and Tj at any time by design.

1. Ambient temperature Ta < 125 °C
2. Chip junction temperature Tj < 150 °C

Chip junction temperature Tj can be estimated by the following two ways.

- I. Estimate Tj based on the package top center temperature Tt in actual usage.

$$Tj = Tt + \psi_{JT} \times W$$

- II. Estimate Tj based on the ambient temperature Ta.

$$Tj = Ta + \theta_{ja} \times W$$

Power dissipation W of the IC is calculated by the following equation.

$$W = I_{CC} \times V_{CC} + W_1 + W_2 + W_3$$

Where:

- I<sub>CC</sub> is circuit current.
- V<sub>CC</sub> is input voltage.
- W<sub>1</sub> is power dissipation of DC/DC1.
- W<sub>2</sub> is power dissipation of DC/DC2.
- W<sub>3</sub> is power dissipation of DC/DC3.

Power loss of DC/DC W<sub>1</sub> to W<sub>3</sub>

- I. Loss of Tr  $\frac{1}{2} T_r \times V_S \times I_O \times f_{req}$
- II. Loss of High Side FET ON resistance  $R_{ONH} \times I_O^2 \times \frac{V_O}{V_S}$
- III. Loss of Tf  $\frac{1}{2} T_f \times V_S \times I_O \times f_{req}$
- IV. Loss of body diode  $V_F \times I_O \times 2 \times t_{OFF} \times f_{req}$   
(When using external SBD, loss will not be included in IC.)
- V. Loss of Low Side FET ON resistance  $R_{ONL} \times I_O^2 \times \left( \frac{V_S - V_O}{V_S} - 2 \times t_{OFF} \times f_{req} \right)$

Where:

- V<sub>S</sub> is input voltage.
- V<sub>O</sub> is output voltage.
- I<sub>O</sub> is output current.
- Tr/Tf is the rising/falling time of the switching voltage transition.
- Freq is oscillation frequency.
- R<sub>ONH</sub> is RON of high side FET.
- R<sub>ONL</sub> is RON of low side FET.
- V<sub>F</sub> is body diode of low side FET.
- t<sub>OFF</sub> is dead time.

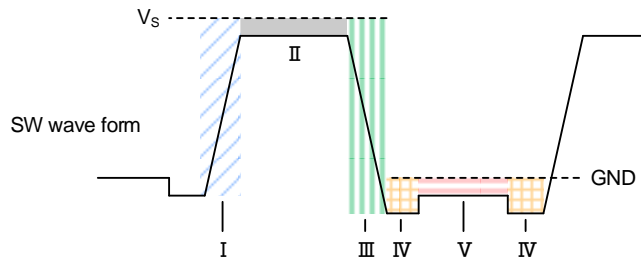


Figure 34. Power Loss of DC/DC

## Operational Notes

### 1. Reverse Connection of Power Supply

Connecting the power supply in reverse polarity can damage the IC. Take precautions against reverse polarity when connecting the power supply, such as mounting an external diode between the power supply and the IC's power supply pins.

### 2. Power Supply Lines

Design the PCB layout pattern to provide low impedance supply lines. Furthermore, connect a capacitor to ground at all power supply pins. Consider the effect of temperature and aging on the capacitance value when using electrolytic capacitors.

### 3. Ground Voltage

Ensure that no pins are at a voltage below that of the ground pin at any time, even during transient condition.

### 4. Ground Wiring Pattern

When using both small-signal and large-current ground traces, the two ground traces should be routed separately but connected to a single ground at the reference point of the application board to avoid fluctuations in the small-signal ground caused by large currents. Also ensure that the ground traces of external components do not cause variations on the ground voltage. The ground lines must be as short and thick as possible to reduce line impedance.

### 5. Recommended Operating Conditions

The function and operation of the IC are guaranteed within the range specified by the recommended operating conditions. The characteristic values are guaranteed only under the conditions of each item specified by the electrical characteristics.

### 6. Inrush Current

When power is first supplied to the IC, it is possible that the internal logic may be unstable and inrush current may flow instantaneously due to the internal powering sequence and delays, especially if the IC has more than one power supply. Therefore, give special consideration to power coupling capacitance, power wiring, width of ground wiring, and routing of connections.

### 7. Testing on Application Boards

When testing the IC on an application board, connecting a capacitor directly to a low-impedance output pin may subject the IC to stress. Always discharge capacitors completely after each process or step. The IC's power supply should always be turned off completely before connecting or removing it from the test setup during the inspection process. To prevent damage from static discharge, ground the IC during assembly and use similar precautions during transport and storage.

## Operational Notes – continued

**8. Inter-pin Short and Mounting Errors**

Ensure that the direction and position are correct when mounting the IC on the PCB. Incorrect mounting may result in damaging the IC. Avoid nearby pins being shorted to each other especially to ground, power supply and output pin. Inter-pin shorts could be due to many reasons such as metal particles, water droplets (in very humid environment) and unintentional solder bridge deposited in between pins during assembly to name a few.

**9. Unused Input Pins**

Input pins of an IC are often connected to the gate of a MOS transistor. The gate has extremely high impedance and extremely low capacitance. If left unconnected, the electric field from the outside can easily charge it. The small charge acquired in this way is enough to produce a significant effect on the conduction through the transistor and cause unexpected operation of the IC. So unless otherwise specified, unused input pins should be connected to the power supply or ground line.

**10. Regarding the Input Pin of the IC**

This monolithic IC contains P+ isolation and P substrate layers between adjacent elements in order to keep them isolated. P-N junctions are formed at the intersection of the P layers with the N layers of other elements, creating a parasitic diode or transistor. For example (refer to figure below):

When  $GND > Pin A$  and  $GND > Pin B$ , the P-N junction operates as a parasitic diode.

When  $GND > Pin B$ , the P-N junction operates as a parasitic transistor.

Parasitic diodes inevitably occur in the structure of the IC. The operation of parasitic diodes can result in mutual interference among circuits, operational faults, or physical damage. Therefore, conditions that cause these diodes to operate, such as applying a voltage lower than the GND voltage to an input pin (and thus to the P substrate) should be avoided.

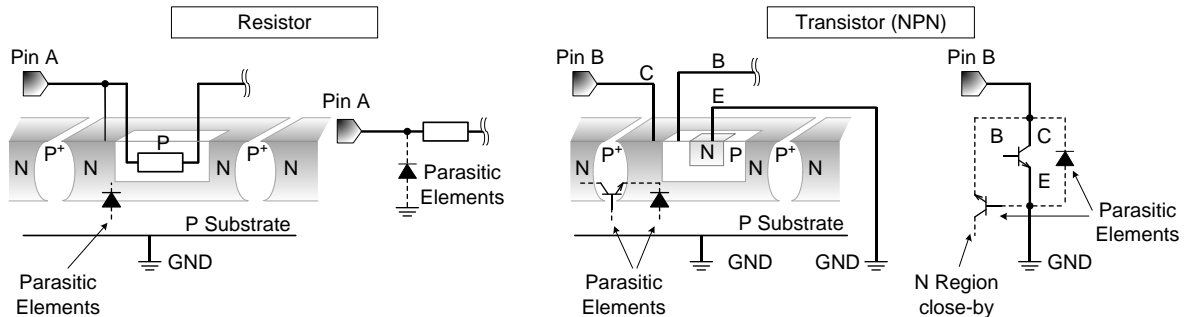


Figure 35. Example of Monolithic IC Structure

**11. Ceramic Capacitor**

When using a ceramic capacitor, determine a capacitance value considering the change of capacitance with temperature and the decrease in nominal capacitance due to DC bias and others.

**12. Thermal Shutdown Circuit (TSD)**

This IC has a built-in thermal shutdown circuit that prevents heat damage to the IC. Normal operation should always be within the IC's maximum junction temperature rating. If however the rating is exceeded for a continued period, the junction temperature ( $T_j$ ) will rise which will activate the TSD circuit that will turn OFF power output pins. When the  $T_j$  falls below the TSD threshold, the circuits are automatically restored to normal operation.

Note that the TSD circuit operates in a situation that exceeds the absolute maximum ratings and therefore, under no circumstances, should the TSD circuit be used in a set design or for any purpose other than protecting the IC from heat damage.

**Operational Notes – continued****13. Over Current Protection Circuit (OCP)**

This IC incorporates an integrated overcurrent protection circuit that is activated when the load is shorted. This protection circuit is effective in preventing damage due to sudden and unexpected incidents. However, the IC should not be used in applications characterized by continuous operation or transitioning of the protection circuit.

**14. Disturbance Light**

In a device where a portion of silicon is exposed to light such as in a WL-CSP and chip products, IC characteristics may be affected due to photoelectric effect. For this reason, it is recommended to come up with countermeasures that will prevent the chip from being exposed to light.

**15. Functional Safety**

“ISO 26262 Process Compliant to Support ASIL-\*”

A product that has been developed based on an ISO 26262 design process compliant to the ASIL level described in the datasheet.

“Safety Mechanism is Implemented to Support Functional Safety (ASIL-\*)”

A product that has implemented safety mechanism to meet ASIL level requirements described in the datasheet.

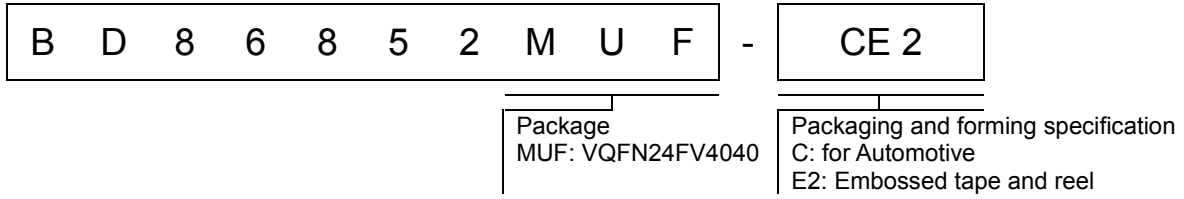
“Functional Safety Supportive Automotive Products”

A product that has been developed for automotive use and is capable of supporting safety analysis with regard to the functional safety.

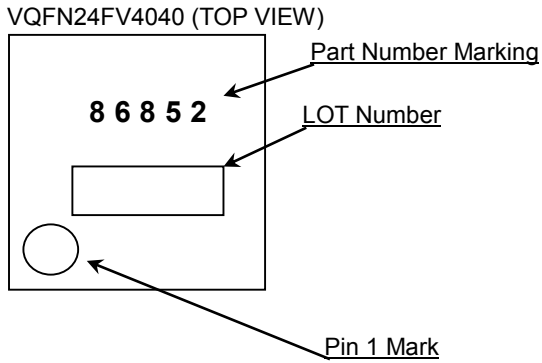
(Note) “ASIL-\*” is stands for the ratings of “ASIL-A”, “-B”, “-C” or “-D” specified by each product's datasheet.



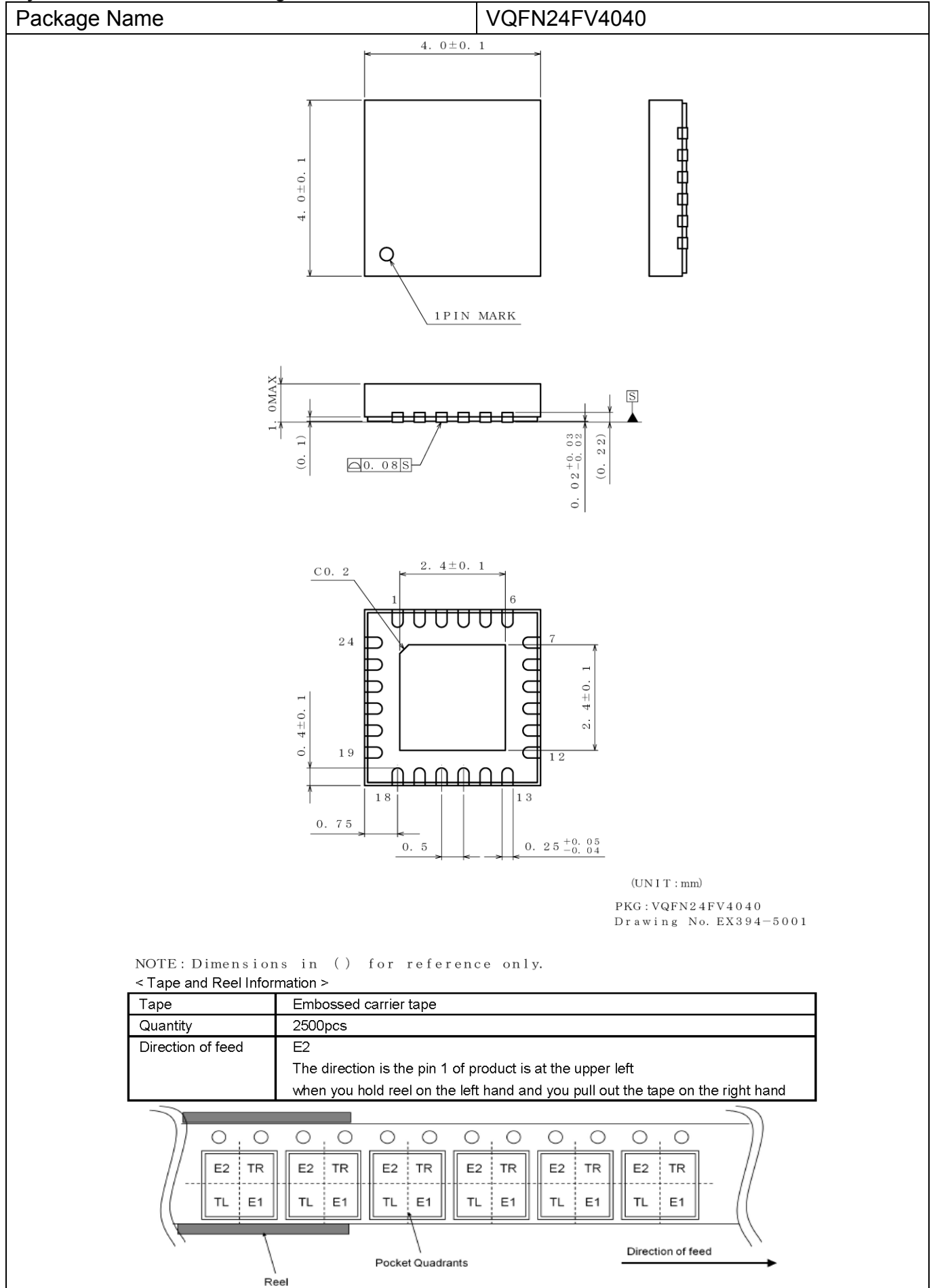
Ordering Information



Marking Diagrams



Physical Dimension and Packing Information



Revision History

| Date        | Revision | Changes     |
|-------------|----------|-------------|
| 03.Mar.2020 | 001      | New Release |

# Notice

## Precaution on using ROHM Products

1. If you intend to use our Products in devices requiring extremely high reliability (such as medical equipment <sup>(Note 1)</sup>, aircraft/spacecraft, nuclear power controllers, etc.) and whose malfunction or failure may cause loss of human life, bodily injury or serious damage to property ("Specific Applications"), please consult with the ROHM sales representative in advance. Unless otherwise agreed in writing by ROHM in advance, ROHM shall not be in any way responsible or liable for any damages, expenses or losses incurred by you or third parties arising from the use of any ROHM's Products for Specific Applications.

(Note1) Medical Equipment Classification of the Specific Applications

| JAPAN     | USA       | EU         | CHINA     |
|-----------|-----------|------------|-----------|
| CLASS III | CLASS III | CLASS II b | CLASS III |
| CLASS IV  |           | CLASS III  |           |

2. ROHM designs and manufactures its Products subject to strict quality control system. However, semiconductor products can fail or malfunction at a certain rate. Please be sure to implement, at your own responsibilities, adequate safety measures including but not limited to fail-safe design against the physical injury, damage to any property, which a failure or malfunction of our Products may cause. The following are examples of safety measures:
  - [a] Installation of protection circuits or other protective devices to improve system safety
  - [b] Installation of redundant circuits to reduce the impact of single or multiple circuit failure
3. Our Products are not designed under any special or extraordinary environments or conditions, as exemplified below. Accordingly, ROHM shall not be in any way responsible or liable for any damages, expenses or losses arising from the use of any ROHM's Products under any special or extraordinary environments or conditions. If you intend to use our Products under any special or extraordinary environments or conditions (as exemplified below), your independent verification and confirmation of product performance, reliability, etc. prior to use, must be necessary:
  - [a] Use of our Products in any types of liquid, including water, oils, chemicals, and organic solvents
  - [b] Use of our Products outdoors or in places where the Products are exposed to direct sunlight or dust
  - [c] Use of our Products in places where the Products are exposed to sea wind or corrosive gases, including Cl<sub>2</sub>, H<sub>2</sub>S, NH<sub>3</sub>, SO<sub>2</sub>, and NO<sub>2</sub>
  - [d] Use of our Products in places where the Products are exposed to static electricity or electromagnetic waves
  - [e] Use of our Products in proximity to heat-producing components, plastic cords, or other flammable items
  - [f] Sealing or coating our Products with resin or other coating materials
  - [g] Use of our Products without cleaning residue of flux (Exclude cases where no-clean type fluxes is used. However, recommend sufficiently about the residue.); or Washing our Products by using water or water-soluble cleaning agents for cleaning residue after soldering
  - [h] Use of the Products in places subject to dew condensation
4. The Products are not subject to radiation-proof design.
5. Please verify and confirm characteristics of the final or mounted products in using the Products.
6. In particular, if a transient load (a large amount of load applied in a short period of time, such as pulse, is applied, confirmation of performance characteristics after on-board mounting is strongly recommended. Avoid applying power exceeding normal rated power; exceeding the power rating under steady-state loading condition may negatively affect product performance and reliability.
7. De-rate Power Dissipation depending on ambient temperature. When used in sealed area, confirm that it is the use in the range that does not exceed the maximum junction temperature.
8. Confirm that operation temperature is within the specified range described in the product specification.
9. ROHM shall not be in any way responsible or liable for failure induced under deviant condition from what is defined in this document.

## Precaution for Mounting / Circuit board design

1. When a highly active halogenous (chlorine, bromine, etc.) flux is used, the residue of flux may negatively affect product performance and reliability.
2. In principle, the reflow soldering method must be used on a surface-mount products, the flow soldering method must be used on a through hole mount products. If the flow soldering method is preferred on a surface-mount products, please consult with the ROHM representative in advance.

For details, please refer to ROHM Mounting specification

**Precautions Regarding Application Examples and External Circuits**

1. If change is made to the constant of an external circuit, please allow a sufficient margin considering variations of the characteristics of the Products and external components, including transient characteristics, as well as static characteristics.
2. You agree that application notes, reference designs, and associated data and information contained in this document are presented only as guidance for Products use. Therefore, in case you use such information, you are solely responsible for it and you must exercise your own independent verification and judgment in the use of such information contained in this document. ROHM shall not be in any way responsible or liable for any damages, expenses or losses incurred by you or third parties arising from the use of such information.

**Precaution for Electrostatic**

This Product is electrostatic sensitive product, which may be damaged due to electrostatic discharge. Please take proper caution in your manufacturing process and storage so that voltage exceeding the Products maximum rating will not be applied to Products. Please take special care under dry condition (e.g. Grounding of human body / equipment / solder iron, isolation from charged objects, setting of Ionizer, friction prevention and temperature / humidity control).

**Precaution for Storage / Transportation**

1. Product performance and soldered connections may deteriorate if the Products are stored in the places where:
  - [a] the Products are exposed to sea winds or corrosive gases, including Cl<sub>2</sub>, H<sub>2</sub>S, NH<sub>3</sub>, SO<sub>2</sub>, and NO<sub>2</sub>
  - [b] the temperature or humidity exceeds those recommended by ROHM
  - [c] the Products are exposed to direct sunshine or condensation
  - [d] the Products are exposed to high Electrostatic
2. Even under ROHM recommended storage condition, solderability of products out of recommended storage time period may be degraded. It is strongly recommended to confirm solderability before using Products of which storage time is exceeding the recommended storage time period.
3. Store / transport cartons in the correct direction, which is indicated on a carton with a symbol. Otherwise bent leads may occur due to excessive stress applied when dropping of a carton.
4. Use Products within the specified time after opening a humidity barrier bag. Baking is required before using Products of which storage time is exceeding the recommended storage time period.

**Precaution for Product Label**

A two-dimensional barcode printed on ROHM Products label is for ROHM's internal use only.

**Precaution for Disposition**

When disposing Products please dispose them properly using an authorized industry waste company.

**Precaution for Foreign Exchange and Foreign Trade act**

Since concerned goods might be fallen under listed items of export control prescribed by Foreign exchange and Foreign trade act, please consult with ROHM in case of export.

**Precaution Regarding Intellectual Property Rights**

1. All information and data including but not limited to application example contained in this document is for reference only. ROHM does not warrant that foregoing information or data will not infringe any intellectual property rights or any other rights of any third party regarding such information or data.
2. ROHM shall not have any obligations where the claims, actions or demands arising from the combination of the Products with other articles such as components, circuits, systems or external equipment (including software).
3. No license, expressly or implied, is granted hereby under any intellectual property rights or other rights of ROHM or any third parties with respect to the Products or the information contained in this document. Provided, however, that ROHM will not assert its intellectual property rights or other rights against you or your customers to the extent necessary to manufacture or sell products containing the Products, subject to the terms and conditions herein.

**Other Precaution**

1. This document may not be reprinted or reproduced, in whole or in part, without prior written consent of ROHM.
2. The Products may not be disassembled, converted, modified, reproduced or otherwise changed without prior written consent of ROHM.
3. In no event shall you use in any way whatsoever the Products and the related technical information contained in the Products or this document for any military purposes, including but not limited to, the development of mass-destruction weapons.
4. The proper names of companies or products described in this document are trademarks or registered trademarks of ROHM, its affiliated companies or third parties.

**General Precaution**

1. Before you use our Products, you are requested to carefully read this document and fully understand its contents. ROHM shall not be in any way responsible or liable for failure, malfunction or accident arising from the use of any ROHM's Products against warning, caution or note contained in this document.
2. All information contained in this document is current as of the issuing date and subject to change without any prior notice. Before purchasing or using ROHM's Products, please confirm the latest information with a ROHM sales representative.
3. The information contained in this document is provided on an "as is" basis and ROHM does not warrant that all information contained in this document is accurate and/or error-free. ROHM shall not be in any way responsible or liable for any damages, expenses or losses incurred by you or third parties resulting from inaccuracy or errors of or concerning such information.