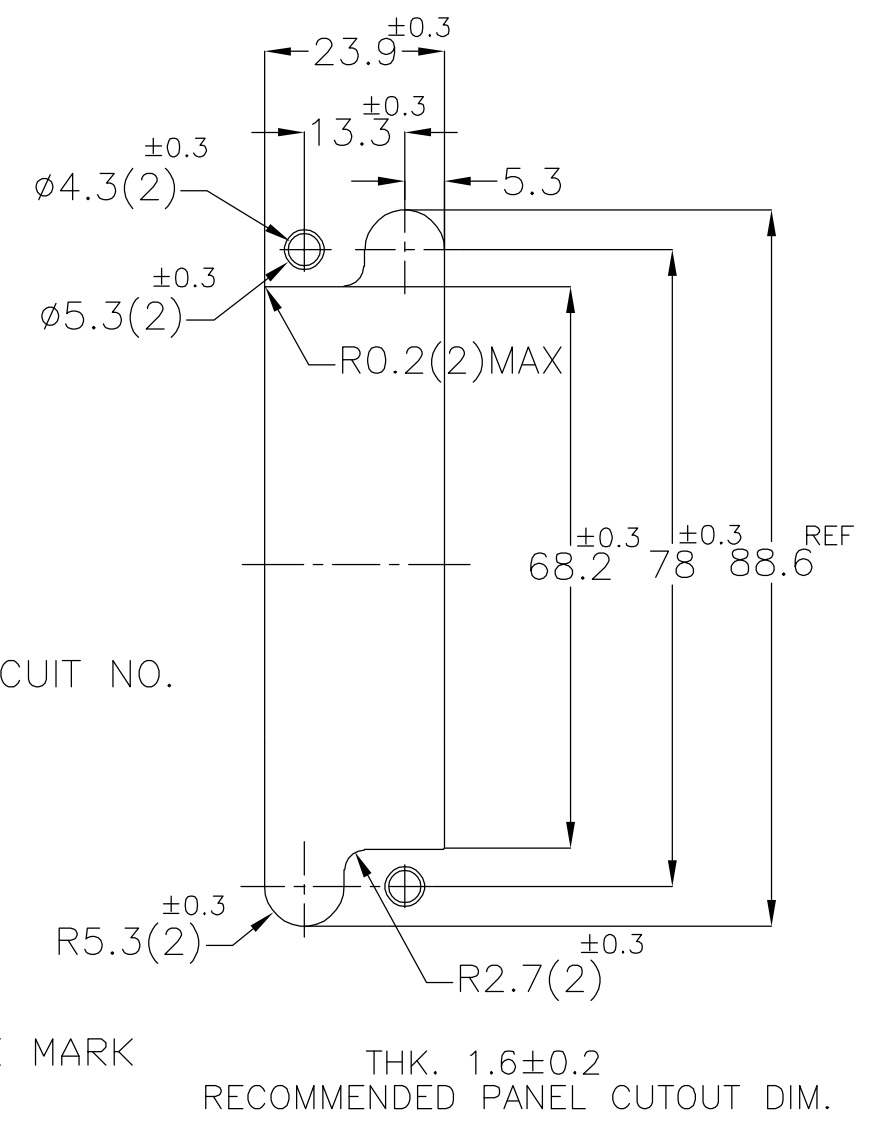
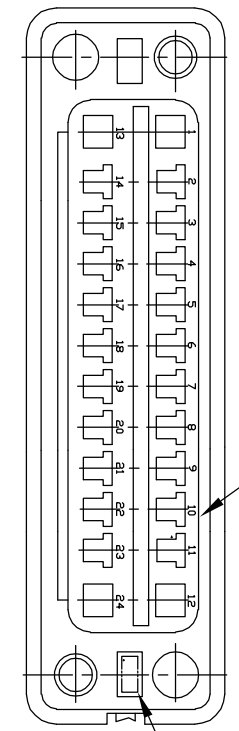
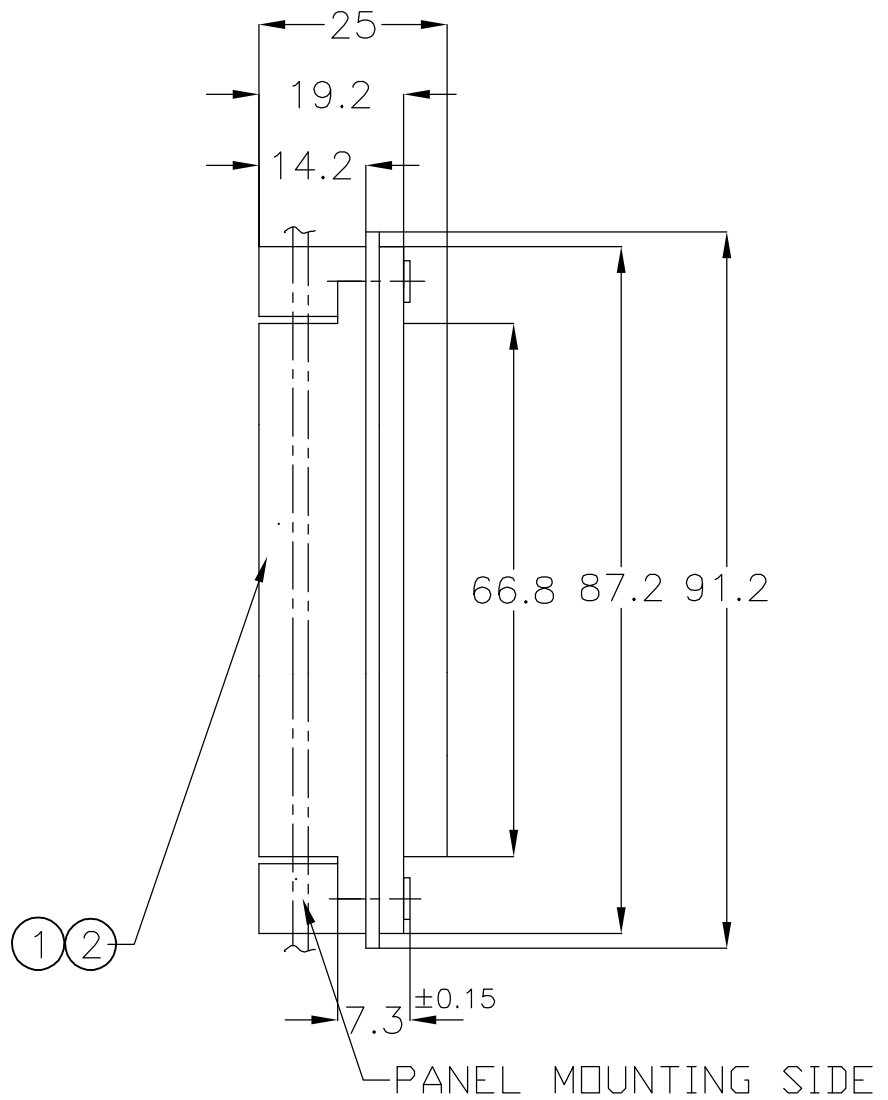
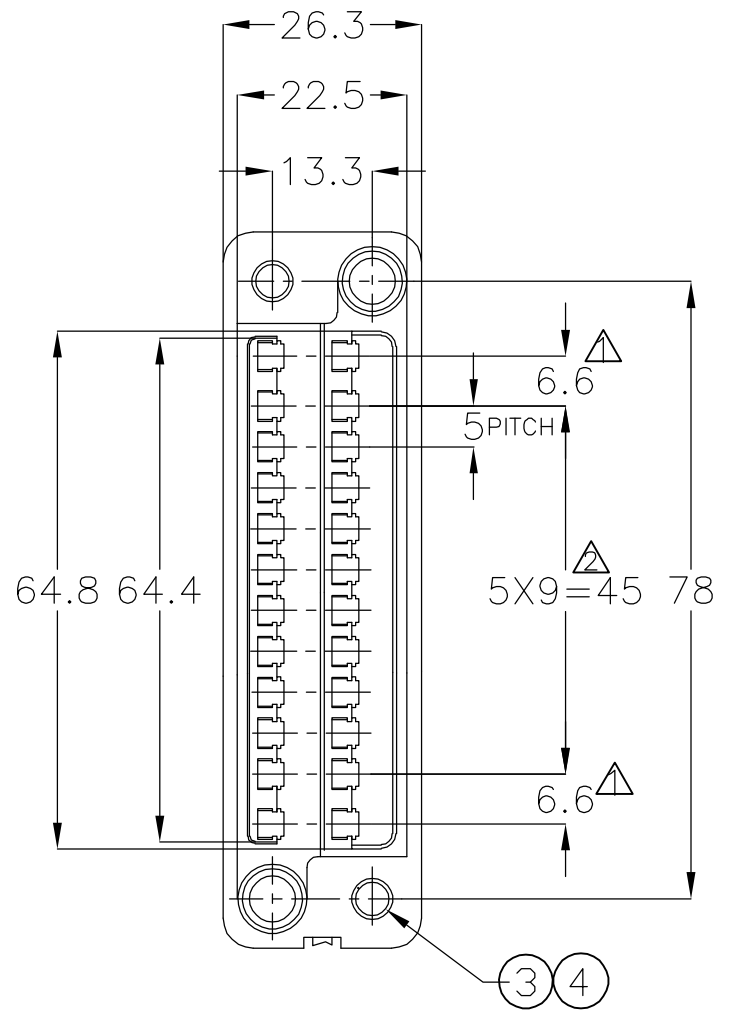


THIS DRAWING IS UNPUBLISHED. RELEASED FOR PUBLICATION
 © COPYRIGHT - BY TYCO ELECTRONICS CORPORATION. ALL RIGHTS RESERVED.

LOC	DIST	REVISIONS					
		P	LTR	DESCRIPTION	DATE	DWN	APVD
J	-	A	RELEASED	ECR-05-009552	26JUL05	C.Z	S.Y



NOTES:
 1. FOR POWER CURCUITS (4POS).
 2. FOR SIGNAL CURCUITS (20POS).
 3. ACCOMOMDATED CONTACTS ARE STRIP P/N 170311, 170312, 170484 L.P P/N 170313, 170314, 170485
 4. MALE HSG P/N IS 172624-1,-3.
 MATERIAL:
 HOUSING: PBT 94V-0
 BUSH: JIS H3250, C3602 BD-F
 FINISH:
 NICKEL PLATED PER AMP SPEC 112-25.

REV	QTY	PART NO.	NAME	REMARKS	ITEM No.
2	-	1-172065-3		(4mm)	4
-	2	1-172065-1	FLOATING BUSH ASS'Y	(3mm)	3
1	-	172626-3		24 POS. (4mm)	2
-	1	172626-1	24P DRAWER CONN.FEMAIL HSG	24 POS. (3mm)	1
-3	-1	NUMBER	NAME	REMARKS	ITEM No.

THIS DRAWING IS A CONTROLLED DOCUMENT.		DWN C.ZHU 25JUL05	Tyco Electronics AMP K.K. Kawasaki, Japan		
DIMENSIONS: mm		CHK I.WANG 26JUL05	Tyco Electronics		
TOLERANCES UNLESS OTHERWISE SPECIFIED:		APVD S.YAO 26JUL05	NAME 24POS. FEMALE HSG ASS'Y DRAWER CONN.		
0 PLC ± 0.4 1 PLC ± 0.4 2 PLC ± 0.4 3 PLC ± 0.4 4 PLC ± 0.4 ANGLES ± -		PRODUCT SPEC -	SIZE A3	CAGE CODE 00779	DRAWING NO G-5172625
MATERIAL		APPLICATION SPEC -	RESTRICTED TO -	SCALE 1:1 SHEET 1 OF 1 REV A	
FINISH		WEIGHT -	CUSTOMER DRAWING		

Mouser Electronics

Authorized Distributor

Click to View Pricing, Inventory, Delivery & Lifecycle Information:

[TE Connectivity:](#)

[5172625-3](#)