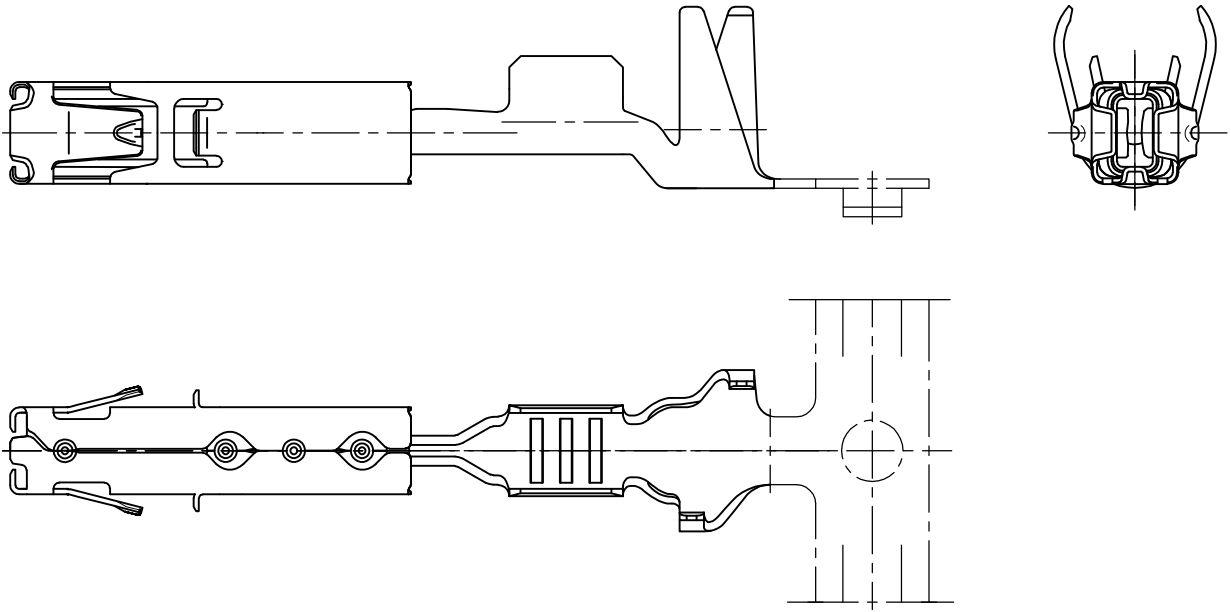



|                            |           |           |  |     |    |                           |         |      |     |
|----------------------------|-----------|-----------|--|-----|----|---------------------------|---------|------|-----|
| MATED WITH:<br>PASSEND ZU: | LOC<br>A1 | DIST<br>— | REVISIONS<br>ÄNDERUNGEN<br>DESCRIPTION<br>BESCHREIBUNG |     |    | DATE                      | DWN     | APVD |     |
| PROJEKT NR.: EGATN03102    |           |           | P  | LTR | A2 | REVISED PER ECO-11-005150 | 21MAR11 | RK   | HMR |

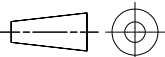


REFER TO PRODUCT GROUP DRAWING 1241436  
FOR LATEST INFORMATION ON THE PART

Auf die Produkt-Gruppenzeichnung 1241436  
für die aktuelle Information zum Teil wird hingewiesen

THIS DRAWING IS UNPUBLISHED. VERTRAULICHE UNVERÖFFENTLICHTE ZEICHNUNG.  
 RELEASED FOR PUBLICATION FREI FÜR VERÖFFENTLICHUNG.  
 ALL RIGHTS RESERVED.

|  |  |                                     |  |  |  |   |  |                         |  |                                    |  |                                      |  |                             |  |                           |  |
|--|--|-------------------------------------|--|--|--|---|--|-------------------------|--|------------------------------------|--|--------------------------------------|--|-----------------------------|--|---------------------------|--|
| -  |  | -                                   |  | -  |  | -   |  | -                       |  | -                                  |  |                                      |  |                             |  |                           |  |
| CUSTOMER PART NO   |  | PART NO                             |  | REV.   |  | PCS.  |  | MATERIAL                |  | SURFACE COLOR                      |  |                                      |  |                             |  |                           |  |
| DIMENSIONS: MASSENHHEITEN mm   |  | DWN R. Meier 10-APR-2003            |  | MATERIAL   |  | -   |  | FINISH OBERFLÄCHE/FARBE |  | -                                  |  |                                      |  |                             |  |                           |  |
| TOLERANCES UNLESS OTHERWISE SPECIFIED: ALLGEMEINTOLERANZEN<br>n. ISO 8015<br>n. ISO 2768 - mH -E<br>n. DIN 16901 - 140<br>0 PLC ± -<br>1 PLC ± -<br>2 PLC ± -<br>3 PLC ± -<br>4 PLC ± -<br>ANGLES/WINKEL ± - |  | CHK R. Liebing 11-APR-2003          |  |  TE Connectivity |  | NAME<br>AMP MCP1.5K FLATTYPE RECEPTACLE<br>AMP MCP1.5K Flachkontakt |  | SIZE<br>A4              |  | CAGE CODE<br>00779                 |  | DRAWING NO ZEICHNUNGS-NR.<br>1418884 |  | RESTRICTED TO NUR FUER<br>- |  |                           |  |
|  |  | APVD -                              |  |  |  |   |  |                         |  |                                    |  |                                      |  |                             |  | PRODUCT SPEC PRODUKTSPEZ. |  |
|  |  | APPLICATION SPEC VERARBEITUNGSSPEZ. |  | -  |  | WEIGHT GEWICHT  |  | -                       |  | CUSTOMER DRAWING / KUNDENZEICHNUNG |  | SCALE MASSSTAB 5:1                   |  | SHEET BLATT 1 OF VON 1      |  | REV A2                    |  |



# Mouser Electronics

Authorized Distributor

Click to View Pricing, Inventory, Delivery & Lifecycle Information:

[TE Connectivity:](#)

[1418884-1](#)