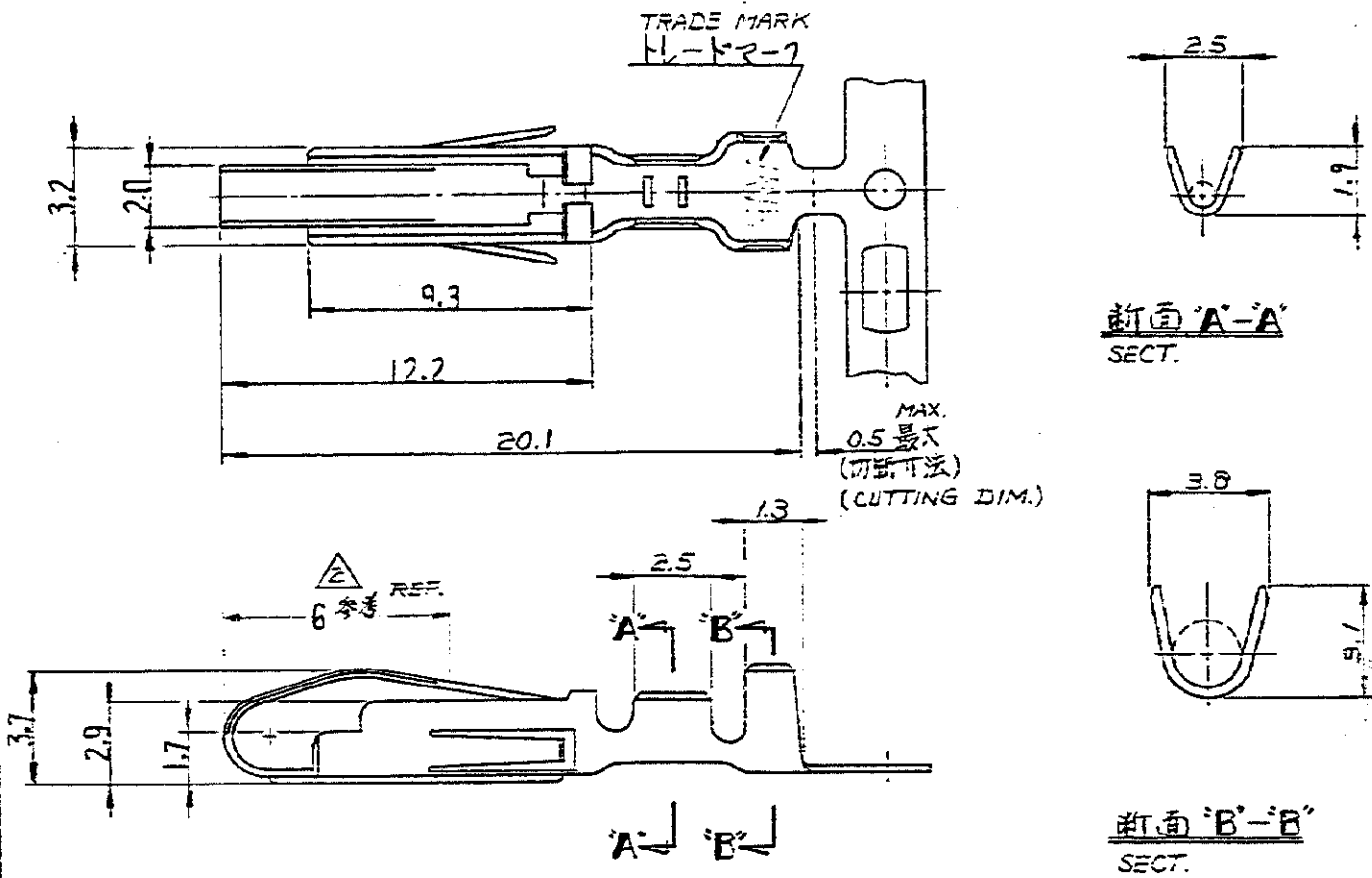


C170311



注: 1. 通用ハウジング型番は以下の通り

POS. 極数	MALE H'SG オス・ハウジング	FEMALE H'SG メス・ハウジング
16	172059	172068
12	172061	172069
8	172063	172070

△先端から約6mmまでの接触面は金めっき。
他の部分は一ニッケルめっきである。

NOTES:
1. APPLICABLE HOUSING P/N'S ARE SHOWN IN TABLE OF LEFT SIDE.
△ GOLD PLATING ON CONTACT AREA OF 6mm FROM TOP, OTHERS ARE NICKEL PLATED.

単位: 寸 寸法は mm. DO NOT SCALE PRINT

170311-1	汎用型番 HOSER 0.3寸	170311-1
16極型番 (P/N NUMBER)	材料 (MATERIAL)	型番 (PART NUMBER)
16	銅合金	170311-1
COPYRIGHT © 1979 BY AMP JAPAN LTD. ALL RIGHTS RESERVED. AMP PRODUCTS COVERED BY PATENTS AND OR PATENTS PENDING.		参考図面 (CUSTOMER COPY) (REFERENCE ONLY)
MATERIAL 参考参照 SEE TABLE		AMP TRADE MARK
WIRE RANGE 0.22~0.53 mm AWG 24-20		CLASS
INSULATION GA 1.5~1.95 mm		TYPE
SCALE 4:1		LOG SIZE
DATE 1/12/79		REV
DR. K. YUASA		C-170311C
CHK. G. TAMURA		
JOB NAME: 170311 (170311-1)		
CONTACT (DRAWER CONNECTOR)		

Mouser Electronics

Authorized Distributor

Click to View Pricing, Inventory, Delivery & Lifecycle Information:

[TE Connectivity:](#)

[170311-1](#)