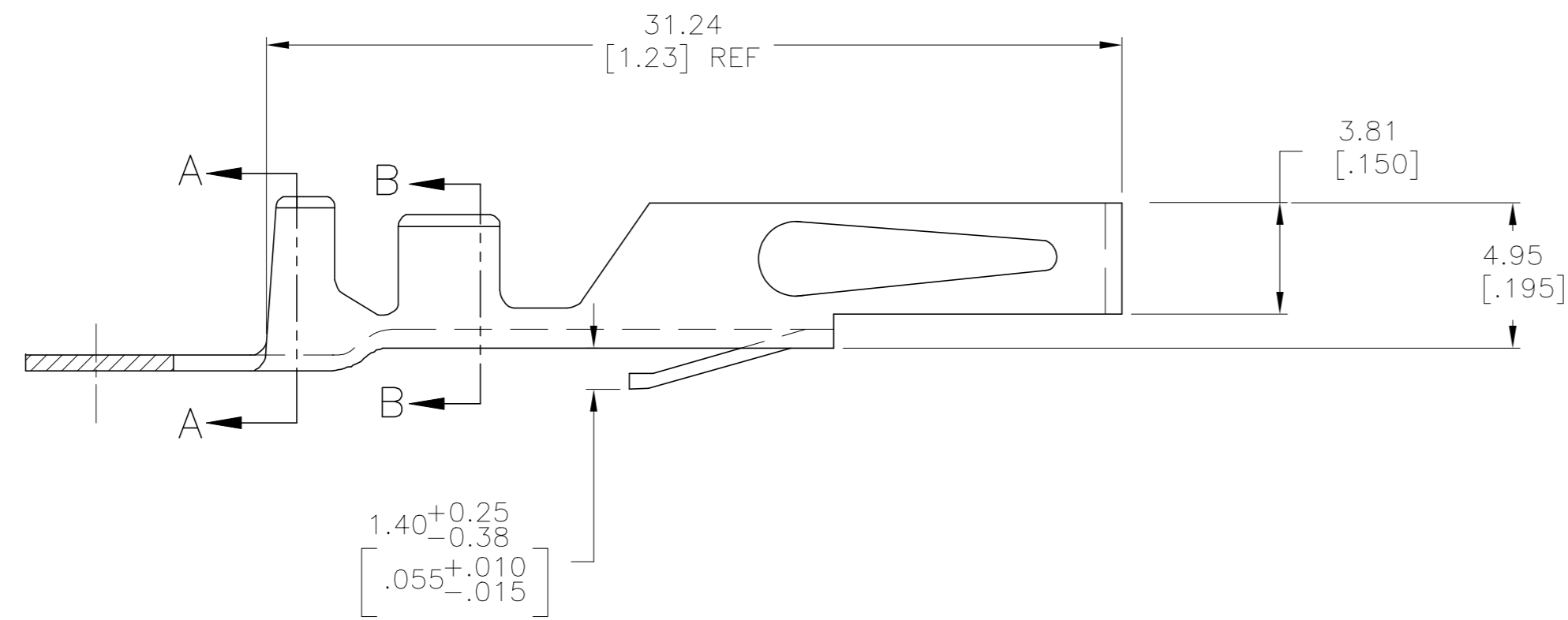
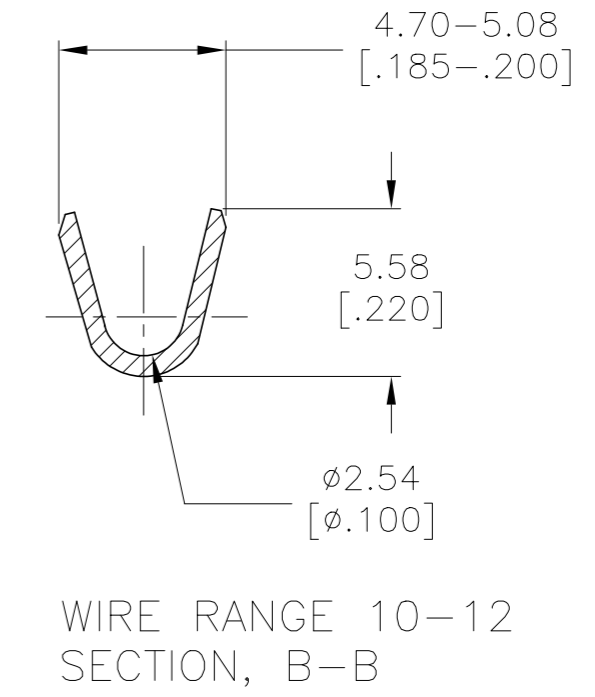
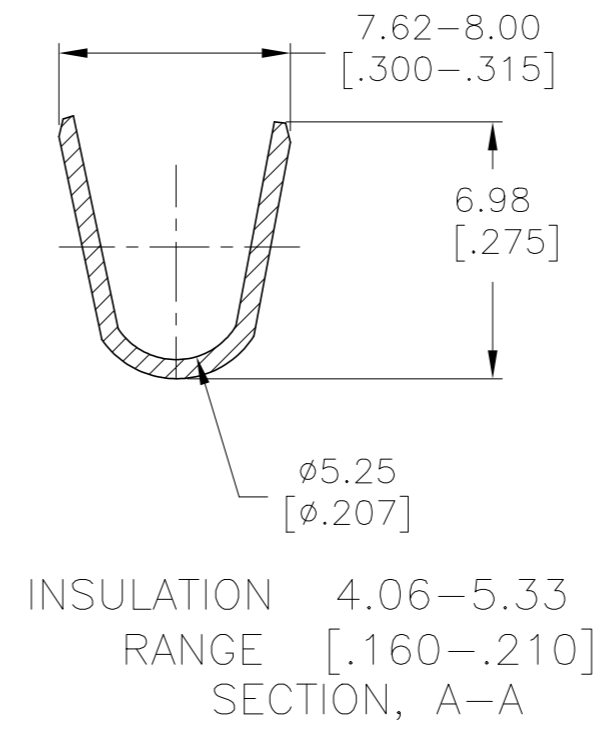
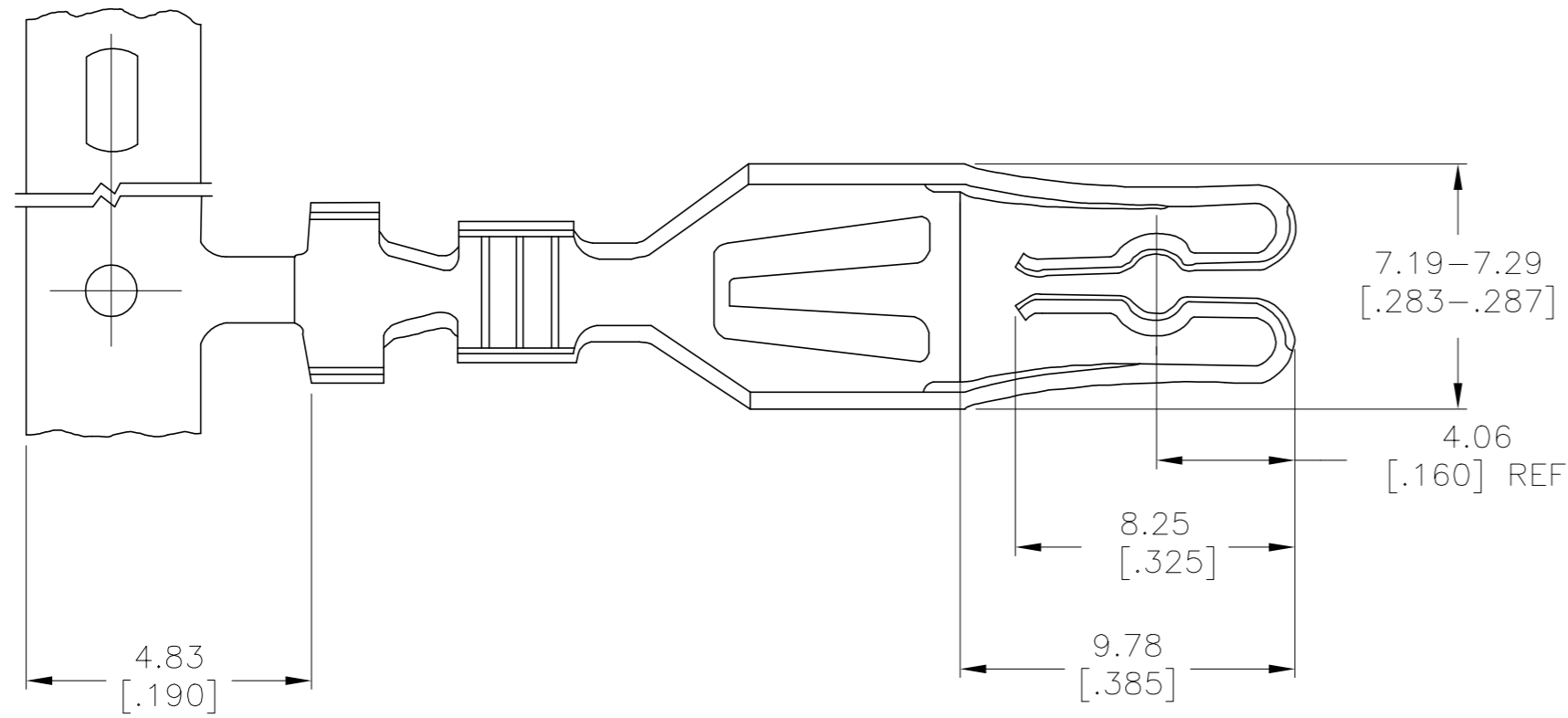


THIS DRAWING IS UNPUBLISHED. RELEASED FOR PUBLICATION
 © COPYRIGHT - By - ALL RIGHTS RESERVED.

REVISIONS					
P	LTR	DESCRIPTION	DATE	DWN	APVD
	J1	REVISED PER ECO-19-019022	19DEC2019	RS	JO



- △1 0.0038 (.000150) MIN BRIGHT TIN-LEAD OVER 0.00076 (.000030) MIN NICKEL.
- △2 SILVER PLATE 0.0038[.000150] MIN THK ALL OVER.
- △3 0.0038 (.000150) MIN MATTE TIN OVER 0.00076 (.000030) MIN NICKEL.

△3	5-530519-2
△2	530519-3
△1	530519-2
FINISH	PART NO

THIS DRAWING IS A CONTROLLED DOCUMENT.		DWN	15 MAY 75	TE TE Connectivity	
		CHK	15 MAY 75		
DIMENSIONS: mm [INCHES]		APVD	16 MAY 75	NAME	
		TOLERANCES UNLESS OTHERWISE SPECIFIED:		PRODUCT SPEC	
		0 PLC ± - 1 PLC ± - 2 PLC ± - 3 PLC ± .005 4 PLC ± - ANGLES ± -		APPLICATION SPEC	
MATERIAL ALLOY CDA-194		WEIGHT	0	SIZE	A2
FINISH △1△2△3		CAGE CODE	00779	DRAWING NO	530519
CUSTOMER DRAWING		SCALE	5:1	SHEET	1 of 1
		REV	J1		

Mouser Electronics

Authorized Distributor

Click to View Pricing, Inventory, Delivery & Lifecycle Information:

[TE Connectivity:](#)

[5-530519-2](#)