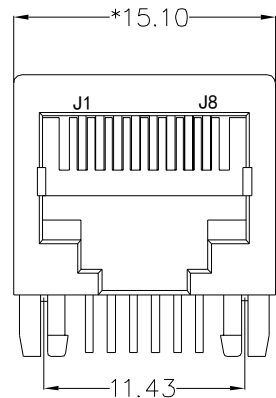
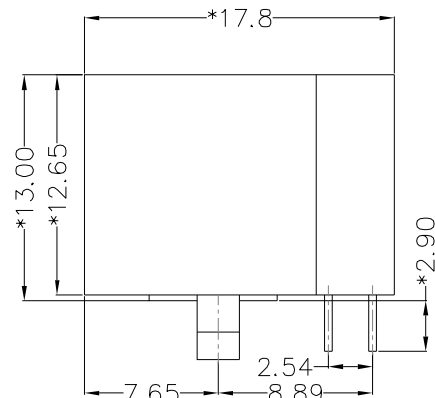


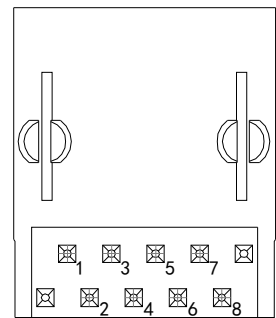
REV.	ECN. NO.	APPD.
A		



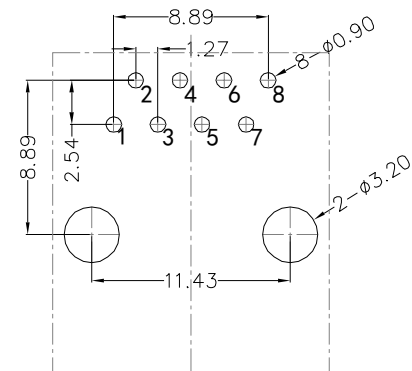
FRONT VIEW



RIGHT SIDE VIEW



BOTTOM VIEW



RECOMMENDED PCB LAYOUT  
VIEWED FROM COMPONENT SIDE

**MATERIAL:**

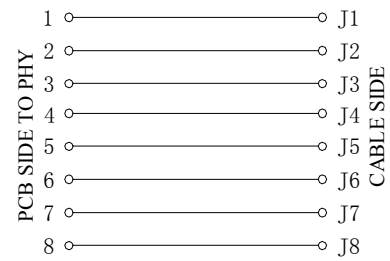
HOUSING: PA46,UL94V-0,BLACK.  
TERMINAL: PHOSPHOR BRONZE Ø=0.46MM, G/FU" GOLD PLATING.

**MACHANICAL:**

DURABILITY: 750 CYCLES MIN,12.5MM/MINUTE.  
INSERTION FORCE: 2.2KG.F MAX.  
RETENTION STRENGTH : 7.7KG.F BETWEEN JACK AND PLUG .  
OPERATING TEMPERATURE: -40℃~+85℃.  
STORAGE TEMPERATURE: -40℃~+85℃.  
ALL CRITICAL DIMENSIONS WITH "\*"

**ELECTRICAL:**

VOLTAGE: 125 VOLTS AC.  
CURRENT RATING : 1.5AMP.  
DIELECTRIC STRENGTH: 1000 VAC RMS 50HZ OR 60HZ,1 MIN.  
INSULATION RESISTANCE: 500 MEGA OHMS MIN. INITIAL  
AFTER 500V DC FOR 1 MINUTE.  
CONTACT RESISTANCE: SINGLE TERMINAL 30 MILLIOHMS MAX.  
INITIAL 50 MILLIOHMS MAX. AFTER  
DURABILITY TEST.



X. ± 0.30 .X ± 0.20 .XX ± 0.10 .XXX ± 0.05	X.° ± 5° .X° ± 2° .XX° ± 1° .XXX° ± 0.5°	UNITS	mm	NAME(INTENDED USE)	MINTRON CO.,LTD.		
		MAT'L				PART NO.(INTENDED USE)	TITLE: RJ45 直通 56 无灯全塑 黑
		FINISH				APPD: SUNNY	DWG NO.: MT5621IWA3DY1017
		Q'TY				CHKD: LISA	
JACK SOCKET CONNECTOR		DR: ZOE	2006-11-28		SCALE 1/1	SHEET 1/1	REV. A