

HC-B 16-TMB-100/O1STM32G-EEE - Housing



1460369

<https://www.phoenixcontact.com/us/products/1460369>

Please be informed that the data shown in this PDF document is generated from our Online Catalog. Please find the complete data in the user documentation. Our General Terms of Use for Downloads are valid.



HEAVYCON ADVANCE B16 sleeve housing, with bayonet locking (Allen screw), salt water resistant aluminum, height: 100 mm, with 1 x M32 thread, straight cable outlet, without surface; conductive seal (EMC properties)

Commercial Data

Item number	1460369
Packing unit	1 pc
Minimum order quantity	10 pc
Sales Key	BF58
Product Key	BF7AAA
Catalog Page	Page 569 (PC-2011)
GTIN	4046356592680
Weight per Piece (including packing)	401.1 g
Weight per Piece (excluding packing)	401.1 g
Customs tariff number	85389099
Country of origin	DE

1460369

<https://www.phoenixcontact.com/us/products/1460369>

Technical Data

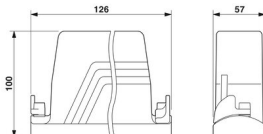
Notes

General	For contact inserts HC-B16, BB32, D40, DD72, HS6, HV6, M, K
---------	---

Product properties

Type	B16
Product type	Housing with bayonet locking
Application	Offshore/EMC
No. of cable outlets	1
Type of the screw connection	1x M32
Fixing screws	M6
Housing type	Sleeve housing
Locking type	Bayonet locking
Shielded	yes
Cable outlet	straight
Pg screw connection	none

Dimensions

Dimensional drawing	
Width	57 mm
Height	100 mm
Length	126 mm

Material specifications

Color	gray aluminum
Seal material	NBR, conductive
Housing surface material	uncoated
Locking latch material	Stainless steel
Housing material	Die-cast aluminum, corrosion resistant

Environmental and real-life conditions

Ambient conditions

Degree of protection	IP66 IP67
Ambient temperature (operation)	-40 °C ... 125 °C

Mechanical properties

Mechanical data

HC-B 16-TMB-100/O1STM32G-EEE - Housing



1460369

<https://www.phoenixcontact.com/us/products/1460369>

Type of the screw connection	1x M32
Locking type	Screw

Mounting

Assembly instructions	If insulating powder coating is present on the control cabinet panel, it should be removed from the profile gasket area in order to ensure optimum shielding.
Fixing screws	M6

HC-B 16-TMB-100/O1STM32G-EEE - Housing

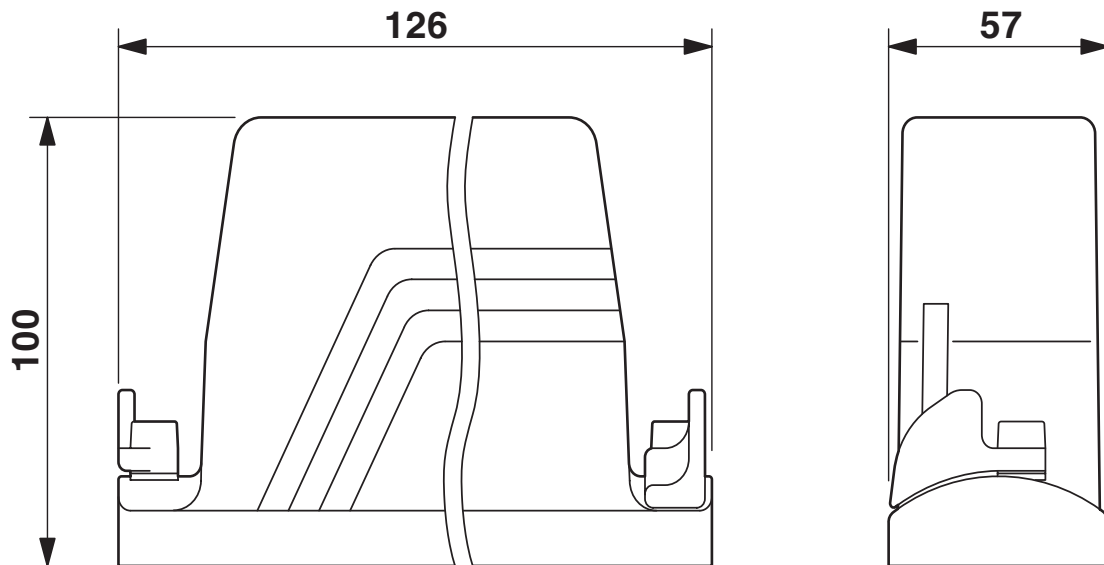


1460369

<https://www.phoenixcontact.com/us/products/1460369>

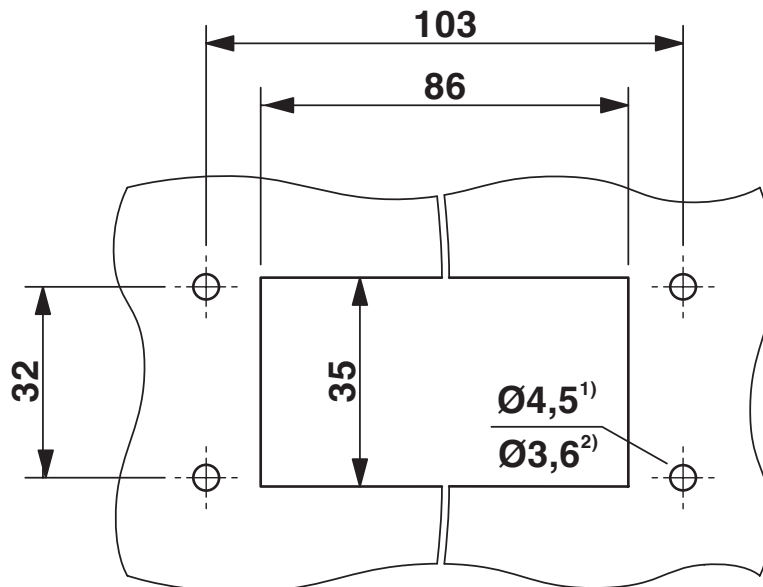
Drawings

Dimensional drawing



Dimensional drawing

Dimensional drawing



Mounting cutout

1) when M4 screws are used

2) when self-tapping Torx® screws are used (Torx® 20, M4)

HC-B 16-TMB-100/O1STM32G-EEE - Housing



1460369

<https://www.phoenixcontact.com/us/products/1460369>

Approvals

🔗 To download certificates, visit the product detail page: <https://www.phoenixcontact.com/us/products/1460369>



EAC

Approval ID: RU C-DE.AI30.B.01102



EAC

Approval ID: RU C-DE.BL08.B.00511

1460369

<https://www.phoenixcontact.com/us/products/1460369>

Classifications

ECLASS

ECLASS-11.0	27440202
ECLASS-12.0	27440202
ECLASS-13.0	27440202

ETIM

ETIM 8.0	EC000437
----------	----------

UNSPSC

UNSPSC 21.0	31261500
-------------	----------

HC-B 16-TMB-100/O1STM32G-EEE - Housing



1460369

<https://www.phoenixcontact.com/us/products/1460369>

Environmental Product Compliance

China RoHS	Environmentally friendly use period: unlimited = EFUP-e
	No hazardous substances above threshold values

HC-B 16-TMB-100/O1STM32G-EEE - Housing



1460369

<https://www.phoenixcontact.com/us/products/1460369>

Accessories

HC-B-BF - Panel-mount flange

1604641

<https://www.phoenixcontact.com/us/products/1604641>



Panel mounting flange for HEAVYCON ADVANCE TMB housing with bayonet locking

HC-B-BF-SET - Panel-mount flange

1604654

<https://www.phoenixcontact.com/us/products/1604654>



Bayonet mounting flange set, consisting of 2 mounting flanges with 4 self-tapping Torx® head screws and 4 fan-type spacers

HC-B 16-TMB-100/O1STM32G-EEE - Housing

1460369

<https://www.phoenixcontact.com/us/products/1460369>



HC-B 16-TMB-SD-IP65 - Protective cover

1690956

<https://www.phoenixcontact.com/us/products/1690956>



HEAVYCON ADVANCE IP65 protective cover B16, with bayonet locking, with retaining cord, diameter of retaining cord eyelet 3 mm

G-INS-M32-M68N-PNES-GY - Cable gland

1411127

<https://www.phoenixcontact.com/us/products/1411127>



Cable gland, material for screw connection: PA, external cable diameter 15 mm .
.. 21 mm, shielding: no, connecting thread: M32 x 1.5, color: silver-grey
RAL 7001

HC-B 16-TMB-100/O1STM32G-EEE - Housing

1460369

<https://www.phoenixcontact.com/us/products/1460369>



G-INS-M32-M68N-PNES-BK - Cable gland

1411136

<https://www.phoenixcontact.com/us/products/1411136>



Cable gland, material for screw connection: PA, external cable diameter 15 mm .. 21 mm, shielding: no, connecting thread: M32 x 1.5, color: jet black RAL 9005

G-INS-M32-M68N-NNES-S - Cable gland

1411166

<https://www.phoenixcontact.com/us/products/1411166>



Cable gland, material for screw connection: Brass, nickel-plated, external cable diameter 15 mm ... 21 mm, shielding: no, connecting thread: M32 x 1.5, color: silver, with O-ring

HC-B 16-TMB-100/O1STM32G-EEE - Housing

1460369

<https://www.phoenixcontact.com/us/products/1460369>



HC-M-KV-M32(19-27) - Cable gland

1646010

<https://www.phoenixcontact.com/us/products/1646010>



Metal screw connection up to 5 bar, thread length: 8 mm, cable diameter: 19 - 27 mm, WAF 43, screw connection: M32

G-INSEC-M32-M68N-NCRS-S - Cable gland

1411191

<https://www.phoenixcontact.com/us/products/1411191>



Cable gland, material for screw connection: Brass, nickel-plated, external cable diameter 14 mm ... 21 mm, shielding: yes, connecting thread: M32 x 1.5, color: silver, with O-ring

HC-B 16-TMB-100/O1STM32G-EEE - Housing

1460369

<https://www.phoenixcontact.com/us/products/1460369>



HC-M-KV-Z-M32 - Cable gland

1646162

<https://www.phoenixcontact.com/us/products/1646162>

Metal screw connection with strain relief clamp, thread length: 8 mm, cable sealing area: 18 - 27 mm, clamping area: 19 - 30 mm, SW 40, screw connection: M32



HC-M-KV-T-M32 - Cable gland

1646201

<https://www.phoenixcontact.com/us/products/1646201>

Metal screw connection with cable bend protection and strain relief, thread length: 8 mm, cable sealing area: 18 - 27 mm, clamping area: 20 - 30 mm, SW 40, screw connection: M32



HC-B 16-TMB-100/O1STM32G-EEE - Housing



1460369

<https://www.phoenixcontact.com/us/products/1460369>

REDUC-M-KV-M32/M25 - Reducing adapter

1647637

<https://www.phoenixcontact.com/us/products/1647637>

Reducing adapter, connecting thread: M32 x 1.5, color: silver, with O-ring



ENLAR-M-KV-M32/M40 - Extension adapter

1647682

<https://www.phoenixcontact.com/us/products/1647682>

Extension adapter, connecting thread: M32 x 1.5, color: silver, with O-ring



HC-B 16-TMB-100/O1STM32G-EEE - Housing

1460369

<https://www.phoenixcontact.com/us/products/1460369>



HC-M-BS-M32 - Screw plug

1645862

<https://www.phoenixcontact.com/us/products/1645862>

Screw plug, material for screw connection: Brass, nickel-plated, connecting thread: M32 x 1.5, color: silver



Phoenix Contact 2023 © - all rights reserved

<https://www.phoenixcontact.com>

Phoenix Contact USA
586 Fulling Mill Road
Middletown, PA 17057, United States
(+717) 944-1300
info@phoenixcon.com