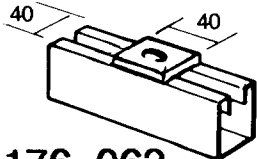


BRACKETS

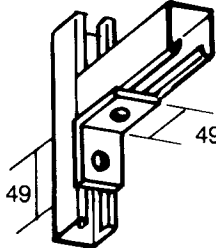
All Brackets are Hot Dip Galvanised finish to BS 729 and material thickness is 6mm (Unless otherwise stated).

5mm thick
RS 176-056

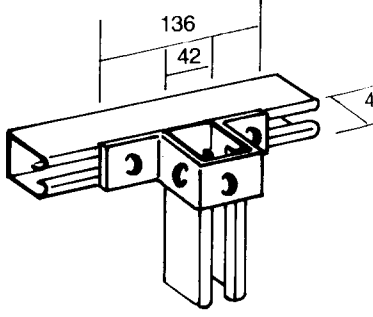


RS 176-062
 EXTERNAL
 6, 8, 10 and 12mm clearance
F101 Weight 0.05 Kg

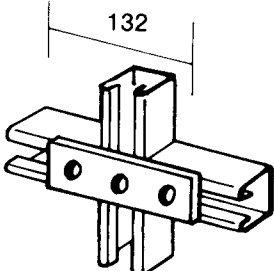
RS 176-107



A200 Weight 0.13 Kg

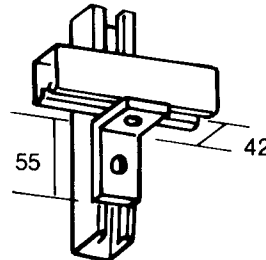


RS 176-135
U401 Weight 0.31 Kg

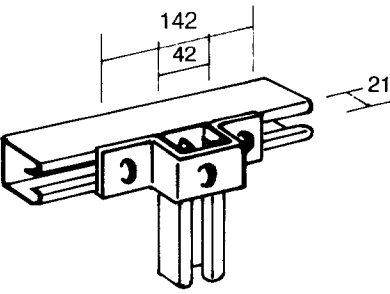


RS 176-078
F103 Weight 0.24 Kg

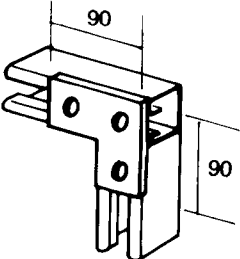
RS 176-113



A201 Weight 0.13 Kg

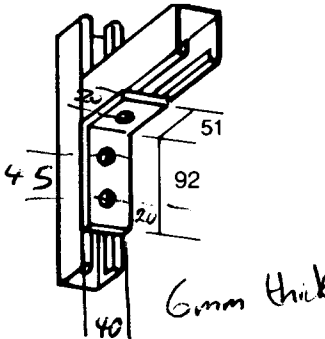


RS 176-129
U400 Weight 0.21 Kg



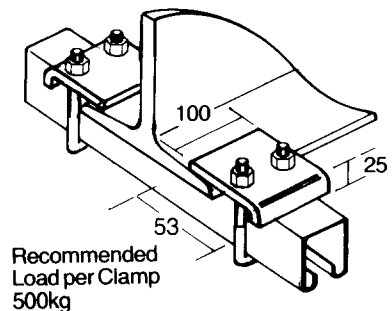
RS 176-084
F107 Weight 0.21 Kg

RS 176-163



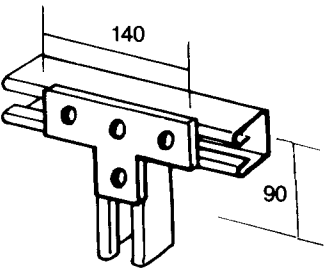
A203 Weight 0.21 Kg

NOTE: Suffix reference denotes depth of channel.



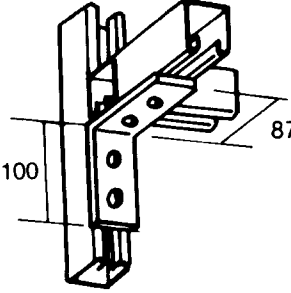
Clamp Weight 0.26 Kg

RS 176-090



F108 Weight 0.29 Kg

RS 176-179



A205 Weight 0.29 Kg

RS 176-141 C701/21
RS 176-157 C701/41