

## ESD "extended" cutters: access

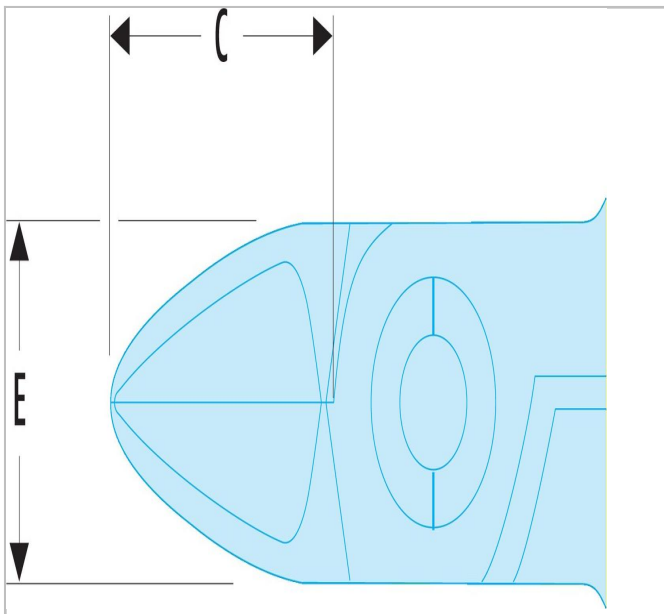


### Standards:

NF ISO 9654, ISO 9654, DIN ISO 9654, ASME B107.500

### Description:

- Protection of electronic components from risks of electrostatic discharge (ESD).
- These pliers allow to go further; up to + 1.5 to 2 mm compared with standard pliers.
- Fall prevention models avoid wire ejection.



	Length L [mm]	Thickness E [mm]	Head Height C [mm]	Head Width B [mm]
<b>425.E</b>	110	7	13.0	10.5
<b>435.E</b>	110	7	13.0	10.5
<b>435.RE</b>	110	7	13.0	10.5