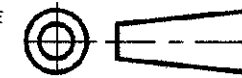


DO NOT SCALE

DIMENSIONS IN mm

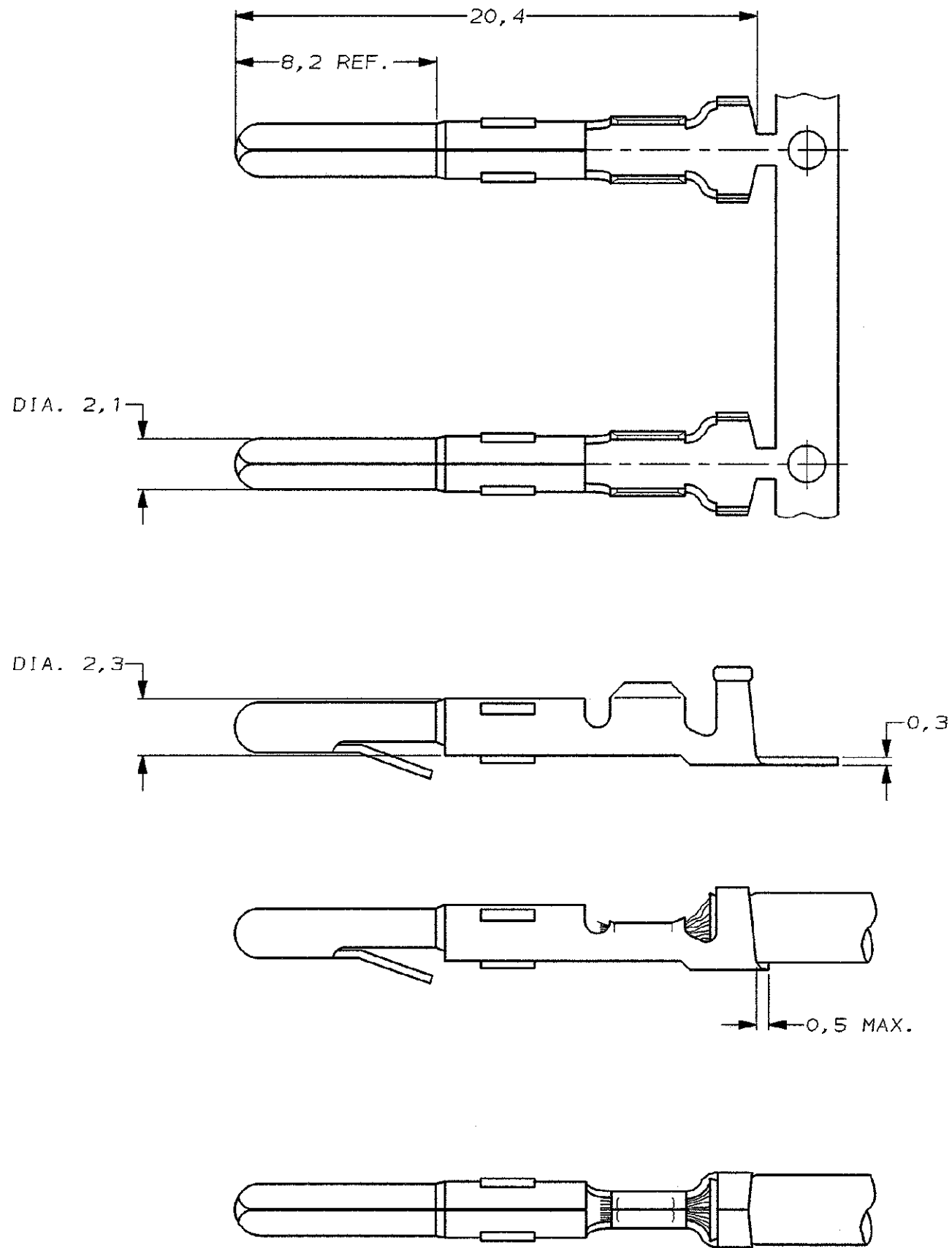
METRIC

THIRD ANGLE
PROJECTION



NOTES:

- 1 FOR USE ON STANDARD APPLICATORS (RIGHT- LEFT FEED).
- 2 FOR USE ON MINIATURE APPLICATORS (LEFT- RIGHT FEED)



WIRE RANGE :
0,3-0,75mm
INSULATION RANGE :
1,4-2,4 DIA.

NOTES	PLATING	MATERIAL	PARTNUMBER
2	PRE-TINPLATED	PHOSPHOR BR.	163555-8
2	UNPLATED	PHOSPHOR BR.	163555-7
2	PRE-TINPLATED	BRASS	163555-6
2	UNPLATED	BRASS	163555-5
1	PRE-TINPLATED	PHOSPHOR BR.	163555-4
1	UNPLATED	PHOSPHOR BR.	163555-3
1	PRE-TINPLATED	BRASS	163555-2
1	UNPLATED	BRASS	163555-1

CUSTOMER DRAWING FOR REFERENCE ONLY
WILL NOT BE UPDATED

© COPYRIGHT 19- BY AMP HOLLAND B.V.
ALL INTERNATIONAL RIGHTS RESERVED. AMP PRODUCTS MAY BE
COVERED BY U.S. AND FOREIGN AND/OR PATENTS PENDING.
THIS DRAWING IS UNPUBLISHED
RELEASED FOR PUBLICATION

AMP AMP HOLLAND B.V.
's-Hertogenbosch,
The Netherlands.

NAME
PIN MATE-N-LOK.

B	EH-1221-96	JvL	AB	24-10-96								
LTR.	REVISION RECORD	DR.	CHK.	DATE								
DR.:	J.v.LIEMPT	CHK.:	A.BIJNEN	APP.:	M.v.DRIEL	DWG.No.	C-163555	REV.LTR.	B	SHEET	1 OF 1	A3
DATE:	24 OCT 96	DATE:	-	DATE:	-							

Mouser Electronics

Authorized Distributor

Click to View Pricing, Inventory, Delivery & Lifecycle Information:

[TE Connectivity:](#)

[163555-6](#)