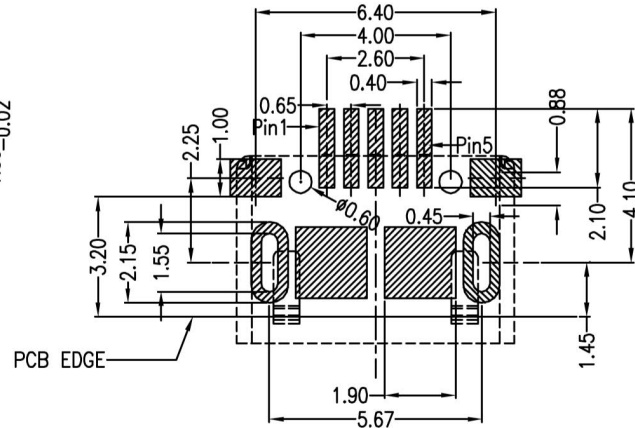
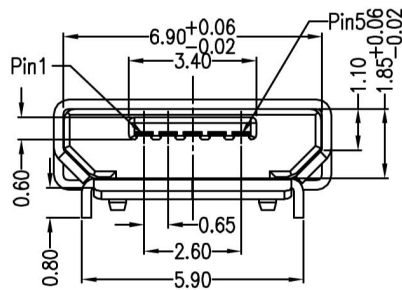
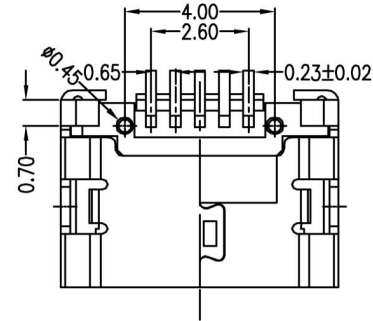
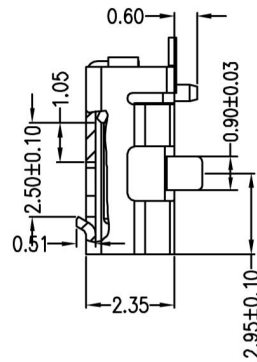
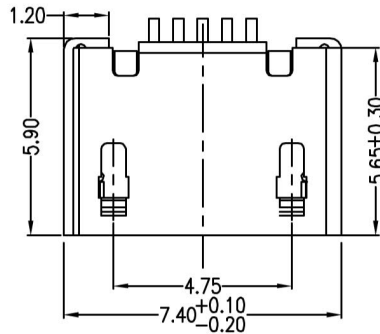
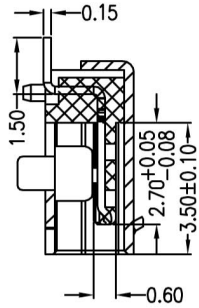
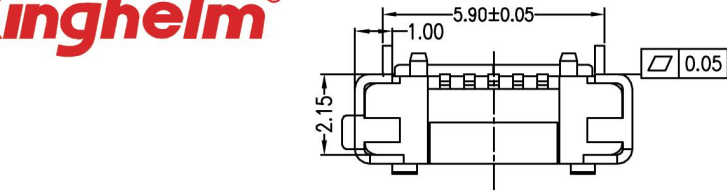


# Kinghelm®

REV.	ECN NO	LOCATIONS	DESCRIPTION	DATE

型号: KH-MICRO5P-ZH



Note:

1.Material:

- 1.1 Housing: High temperature thermoplastic with g.f,UL94v-0
- 1.2 Contact: copper alloy,t=0.20mm
- 1.3 Shell: copper alloy,t=0.25mm

2.Specification:

- 2.1 Current rating: 1 A Max.
- 2.2 Dielectric withstanding voltage: 100 V(ac) for 1 min.
- 2.3 Contact resistance: 50 mW Max.
- 2.4 Insulation resistance: 100 MW Min.
- 2.5 Total mating force: 3.57 Kgf Max.
- 2.6 Total unmating force: 1.0 Kgf Min.0.81~2.05 Kgf Min.after 10000 insertion/extraction cycles
- 2.7 Temperature range: -30°C~80°C

A 01 S B X X X X X X X 1-243

① ② ③ ④ ⑤ ⑥ ⑦ ⑧ ⑨ ⑩ ⑪ ⑫ ⑬

- ① 产品代号 A:成品
- ② 产品系列 01:micro usb 5pin
- ③ 产品类别 S:母座
- ④ 产品类型 B:B TYPE
- ⑤ 外壳材质 1:C2680R-H 5:SPCC
- ⑥ 外壳电镀 0:素材;1: Ni100u'';2:雾Sn100u'';3:Ni+Au1u''(脚);4:全Au1u''
- ⑦ 端子材质 4:CS191R-EH 2:C2680R-EH
- ⑧ 端子电镀 0:素材;1:全Au1u'';2:全Au1.5u'';3:全Au3u'';4:全Au1u'';5:全Au1.5u'';6:全Au3u'';7:雾Sn+Au1u'';8:雾Sn+Au3u'';A:雾锡+Au1u'';B:雾锡Au1.5u'';C:雾锡Au3u'';D:雾锡Au1u''
- ⑨ 主体材质 1:LCP
- ⑩ 主体颜色 B:黑色 W:白色
- ⑪ 包装方式 1:吸塑管;2:卷带;4:pe袋
- ⑫ 下板类型 1:dip(插板)
- ⑬ 细节流水 037:Micro usb 5s B Type Smt有焊脚插板0.9有柱

PART NO:		MATERIAL: SEE NOTE	金航标	WWW.BDS666.COM
MODEL NO: XX		FINISH: SEE NOTE	0755-83044319	
UNIT: MM	SIZE: A4	COLOR: SEE NOTE	TITLE: Micro usb 5s BType Smt 有焊脚插板5.9有柱无导位长针	
TOLERANCE UNSPECIFIED		DR:	DWG NO:	REV: A
.x	0.25	CHK:	SCALE: 5:1	DATE:
.xx	0.20	APP:		
.xxx	0.1			
Ang.	2°			