



Level control relay for emptying function. Single voltage. Modular version LVM20 Emptying function

Product designation

Product type designation

Function

Auxiliary supply

Supply voltage Type		Single voltage
Rated auxiliary supply voltage U_s		
AC	min	VAC 24
Operating voltage range		0.85...1.1 U_s
Rated frequency		Hz 50/60
Power consumption Max		VA 3.5
Power dissipation Max		W 1.8

Output characteristics

Number of connectable electrodes	N°	3
Type of electrode		Electrode and electrode holders: SN1 / SCM / CGL / PS31 / PS3S or similar
Electrode voltage		7.5 VAC
Sensitivity	kohm	2.5...50

Time delay

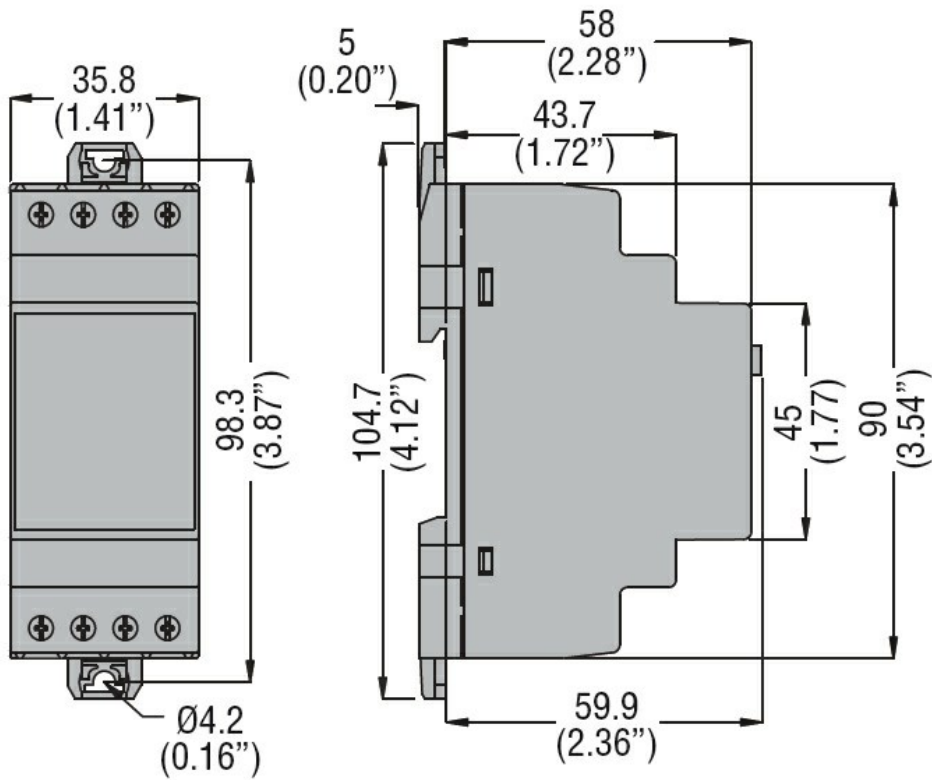
Tripping time	s	≤0.6
Resetting time	s	≤0.75

Relay outputs

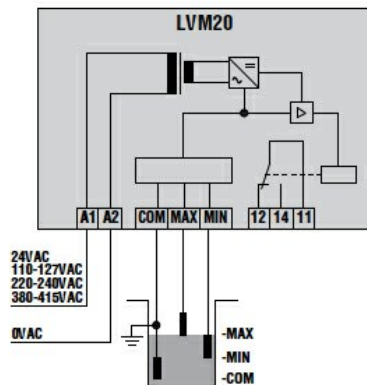
Number of relays	N°	1
Relay state		Normally de-energised, energises at tripping
Contact arrangement		1 changeover contact C/O-SPDT
Rated operational voltage AC (IEC)	VAC	250
Maximum switching voltage	VAC	400
IEC Conventional free air thermal current I_{th}	A	8
UL/CSA and IEC/EN 60947-5-1 designation		B300
Electrical life (with rated load)	cycles	105
Mechanical life	cycles	30x106

Indications

Indication				1 green LED for power on 1 red LED for relay state
Connections				
Terminals type				Screw
Tightening torque for terminals		max	Nm	0.8
		max	lbin	7
Conductor cross section				
	AWG/Kcmil	min	AWG	24
		Max	AWG	12
	IEC	min	mm ²	0.2
		Max	mm ²	4
Maximum cable length			m / ft	800m max / sensitivity 2.5kΩ 150m max / sensitivity 25kΩ 100m max / sensitivity 50kΩ Calculated using 600V 3-core 0.75mm ² section cables.
Insulations				
Rated insulation voltage Ui			V	415
Rated impulse withstand voltage Uimp			kV	6
Operating frequency withstand voltage			kV	4
Double insulation Supply / relay / electrode			VAC	≤250
Ambient conditions				
Temperature				
	Operating temperature	min	°C	-20
		max	°C	+60
	Storage temperature	min	°C	-30
		max	°C	+80
Housing				
Execution				Modular
N° of modules				2
Material				Self-extinguishing polyamide
Mounting				35mm DIN rail (IEC/EN 60715) or by screws using extractable clips
IEC degree of protection				IP40 on front / IP20 on terminals
Dimensions (W x H x D)			mm	35.8 x 104.7 x 64.9
Weight			g	215
Dimensions				



Wiring diagrams



Certifications and compliance

Compliance

CSA C22.2 n° 14.
IEC/EN 60255-5
IEC/EN 61000-6-2
IEC/EN 61000-6-3
UL508

Certificates

cULus
EAC