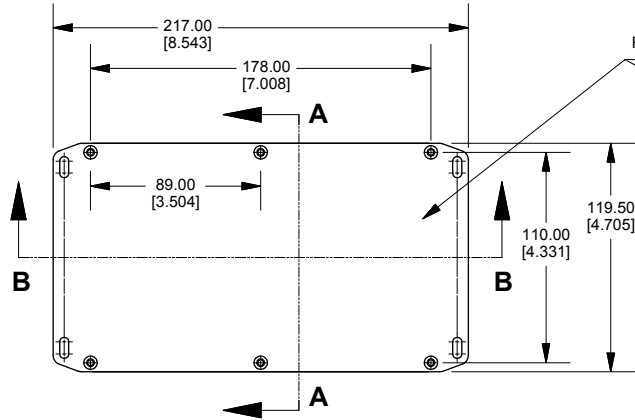
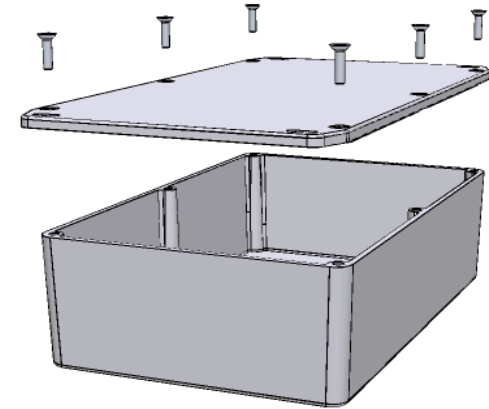
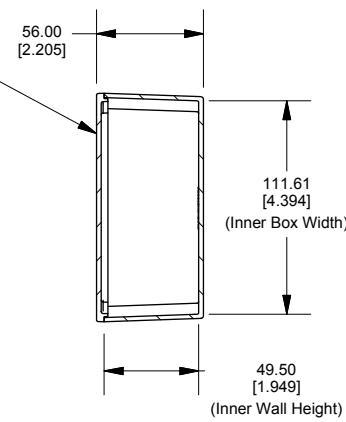


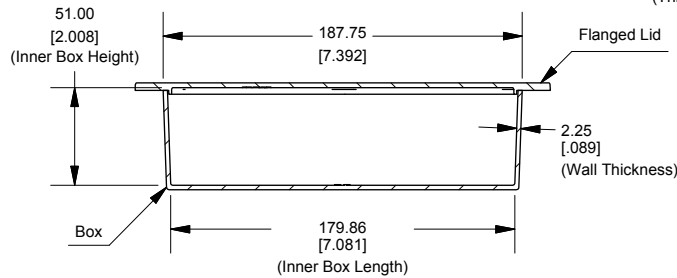
Top View of Assembly



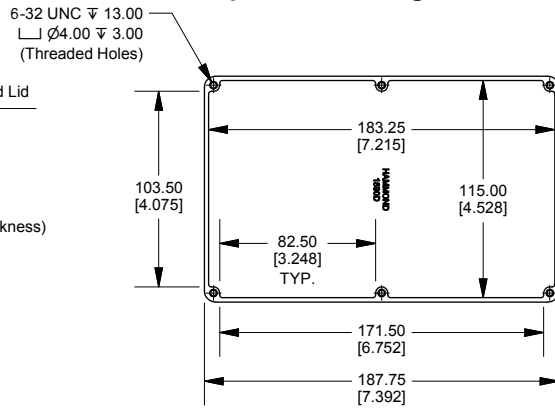
SECTION A-A End View of Assembly



SECTION B-B Side View of Assembly



Top View Looking Inside Box



Enclosures can be Factory Modified (Milling, Drilling, Printing etc.)
 Contact Factory mjm@hammondmfg.com for quotes
 Solid models of this enclosure available in STEP or IGES.

NOTE

Purchased assembly includes box, lid and 6 cover screws.
 Box and lid are made from Diecast Aluminum Alloy.
 Silicone Gasket supplied with liquid resistant enclosure.

PART NUMBERS

1590DFL Enclosure	
Natural Finish Enclosure	1590DFL
Black Textured Enclosure	1590DFLBK
1590DFL Liquid Resistant Enclosure (Silicone Gasket)	
Natural Finish Enclosure	1590W DFL
Black Textured Enclosure	1590W DFLBK

ACCESSORIES

Recommended Torque: 75 ozf.in / 55 cN.m

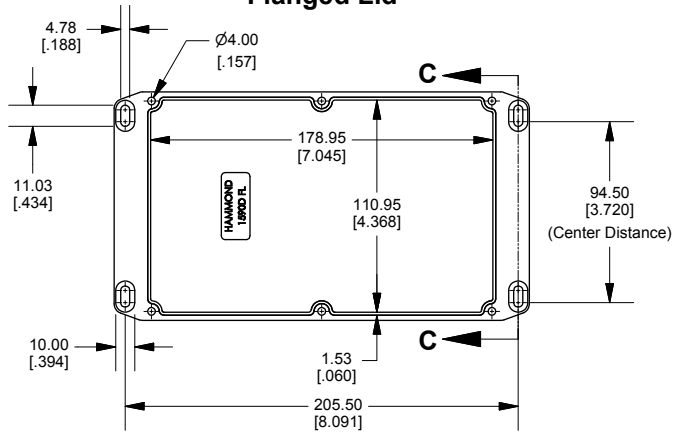
Liquid Resistant Cover Screws

Stainless Steel Cover Screws (Pkg 100) [6-32 x 1/2" With O-Ring]	1590W MS 100
Black Stainless Steel Cover Screws (Pkg 100) [6-32 x 1/2" With O-Ring]	1590W MS 100BK

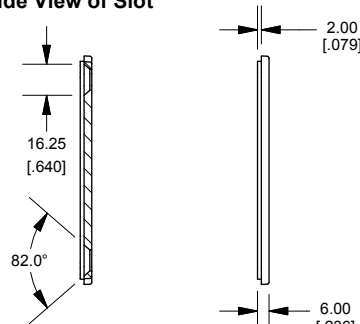
Standard Cover Screws

Plated Cover Screws (Pkg 100) [6-32 x 1/2"]	1590MS 100
Black Cover Screws (Pkg 100) [6-32 x 1/2"]	1590MS 100BK

Flanged Lid



SECTION C-C Side View of Slot



Dimensions:
mm
[inches]

**HAMMOND
MANUFACTURING™**

1590DFL

www.hammondmfg.com