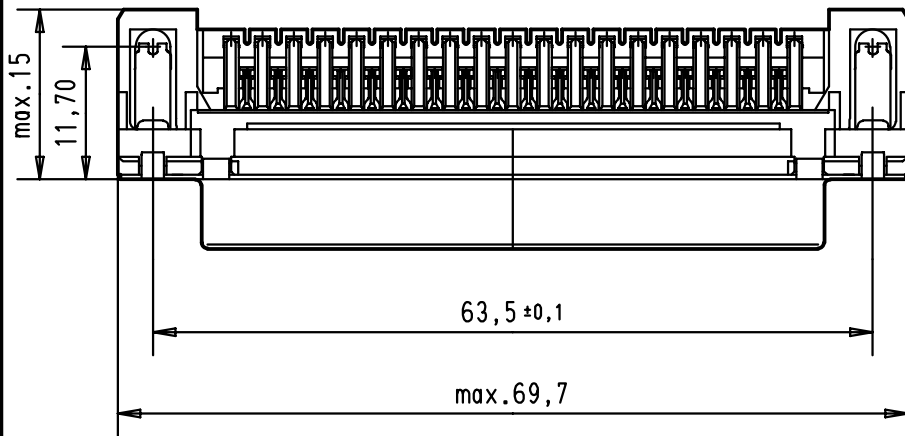
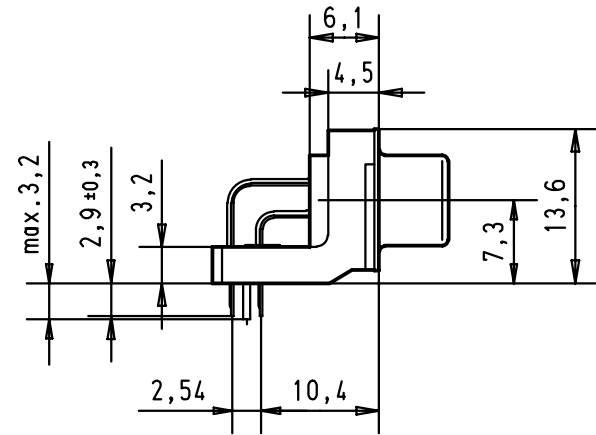
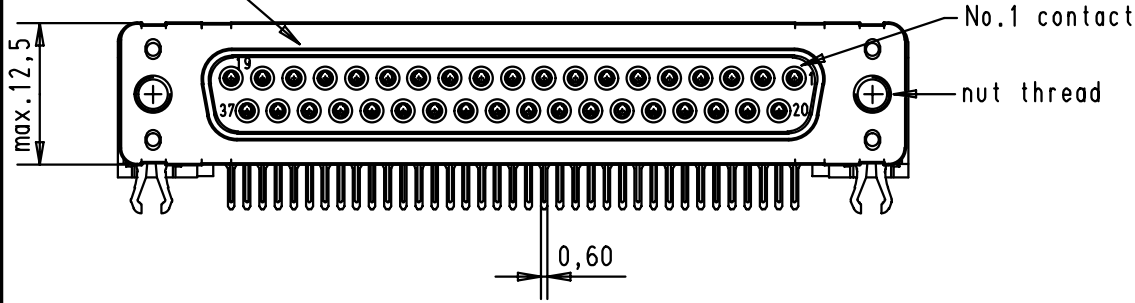
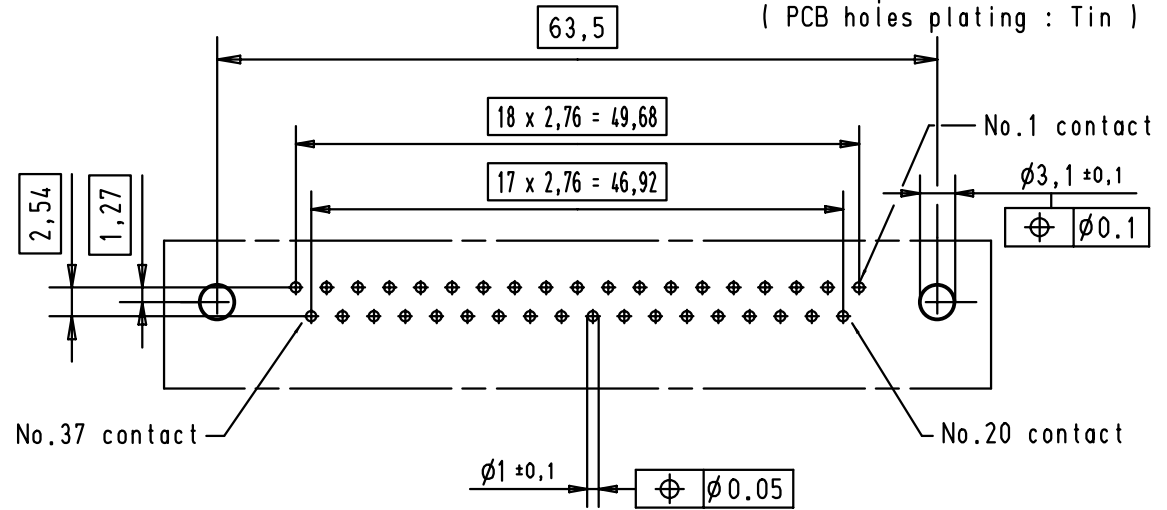


5 4 3 2 1

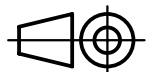
Mating face according to : MIL-C-24308 / DIN 41652 / CECC 75301-802



PCB layout hole component side (PCB holes plating : Tin)



Connector retention and insertion forces on the PCB = 25 / 80 newtons

A	09 66 452 6611	M 3	2						 All Dim. in mm Orig. Size DIN A 4	D-Sub 37 poles standard angle female, solder pin with nut and grounding board lock.	Maßstab/ Scale 1.5:1	
	09 66 452 7611	M 3	3				Detail.	06/dec/00				ALSPACE
	09 66 452 5611	M 3	0.76 µm Au				Insp.					
	09 66 452 6612	4-40 UNC	2				Stand.					
	09 66 452 7612	4-40 UNC	3									
	09 66 452 5612	4-40 UNC	0.76 µm Au	27960	06/dec/00	ALSPACE						
	Part number	Nut thread	Performance level	Mod.	Dat.	Name	HARTING EURL F-95972 Paris			TB 0966452x61x Sub.	Blatt/ Page 5 / 6	