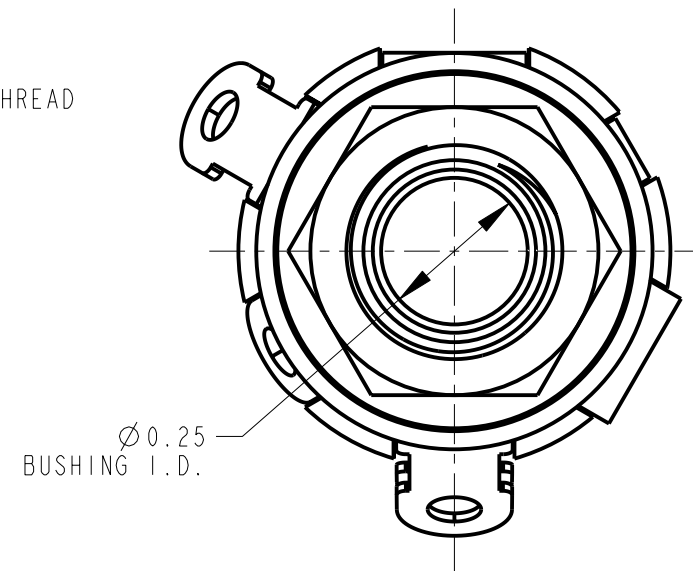
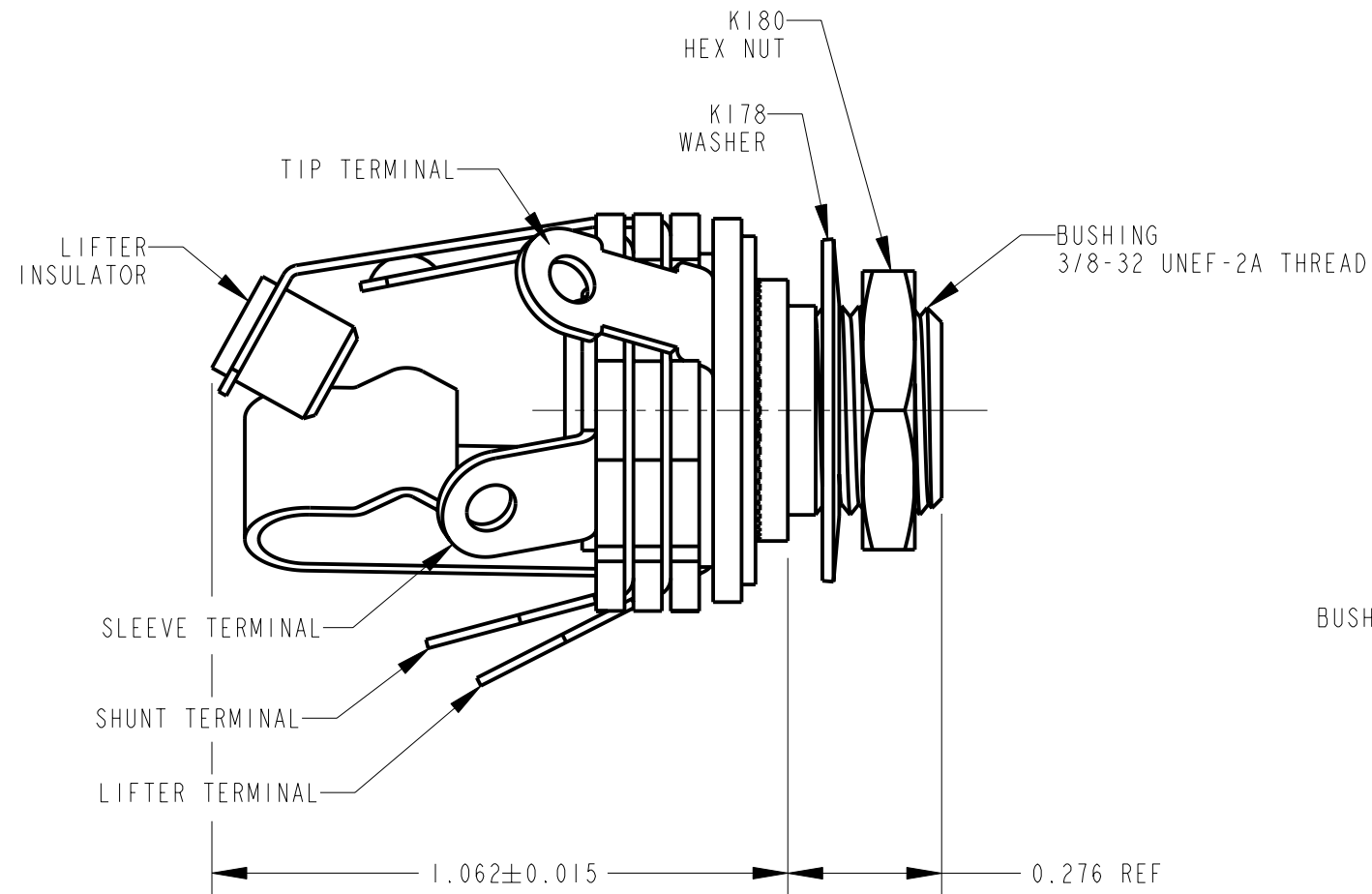
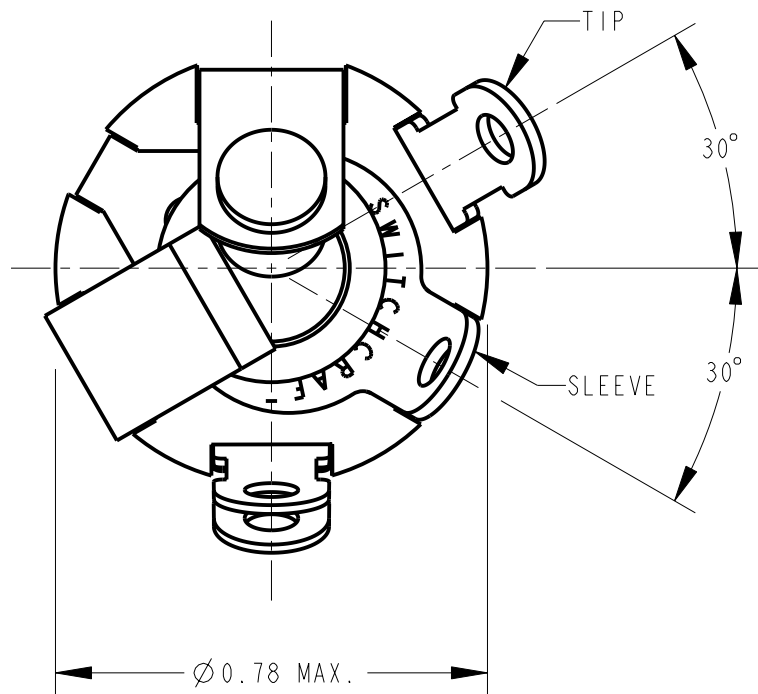


SCHEMATIC



NOTES:

- MATERIALS:
 BUSHING - COPPER ALLOY, NICKEL PLATED
 SLEEVE TERMINAL - COPPER ALLOY, HOT TINNED
 SPRINGS - SPECIAL COPPER ALLOY
 INSULATING WASHERS - PHENOLIC
 LIFTER INSULATOR - THERMOPLASTIC
 METAL WASHERS - STEEL, NICKEL PLATED
 HEX NUT - COPPER ALLOY, NICKEL PLATED
- HARDWARE SHIPPED UNASSEMBLED.
- TYPICAL MATING PLUG: SWITCHCRAFT #250
- THIS PRODUCT IS RoHS COMPLIANT.

CUSTOMER DRAWING

REV	ECO NUMBER	DATE	BY	APVD
F	27097	2-7-13	TO	TJK
E	ECO #22447	9-13-12	TO	TJK
REVISIONS				

★ STAR SYMBOL DENOTES CRITICAL DIMENSION

UNLESS OTHERWISE SPECIFIED

- ALL DIMENSIONS IN INCHES
 - TWO PLACE DECIMALS ± 0.01
 - THREE PLACE DECIMALS ± 0.005
 - ANGLES ± 1
 - ALL DIA. CONCENTRIC WITHIN 0.005 T.I.R.
- FEATURES ON THE SAME CENTERLINE MUST BE ALIGNED WITHIN ± 0.002
- REMOVE ALL BURRS

DO NOT SCALE DRAWING

THIS DRAWING DESCRIBES A DESIGN CONSIDERED PROPRIETARY IN NATURE, DEVELOPED AND MANUFACTURED BY SWITCHCRAFT INC. AND IS RELEASED ON A CONFIDENTIAL BASIS FOR IDENTIFICATION PURPOSES ONLY.									
SIZE		WIDTH		MULT		LBS/M		TEMPER	
FINISH					MATERIAL				
SPEC No.					SPEC No.				
FIRST USED ON				SCALE					
				3:1					
DATE DRAWN	BY	CHKD	APVD						
13-Sep-12	TO	TO	TJK						
			9-13-12	9-17-12					
NAME								PART No.	
LITTEL JAX, RoHS								13E	
								REV	
								F	



Mouser Electronics

Authorized Distributor

Click to View Pricing, Inventory, Delivery & Lifecycle Information:

[Switchcraft:](#)

[13E](#)