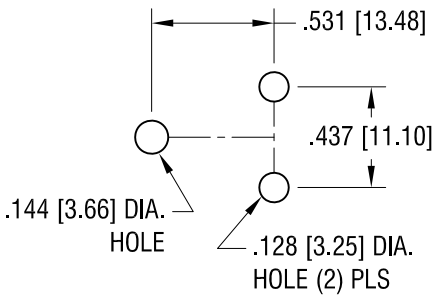
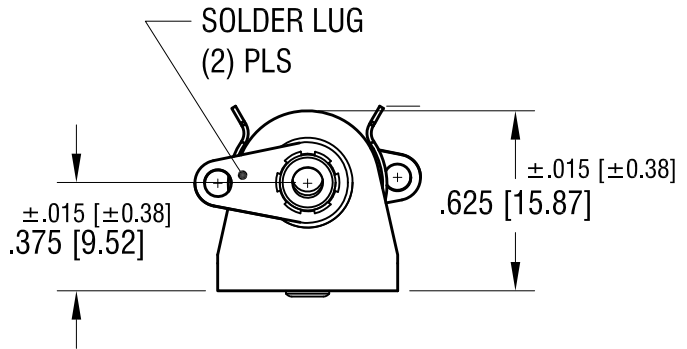
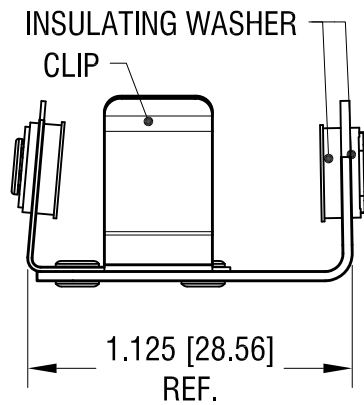
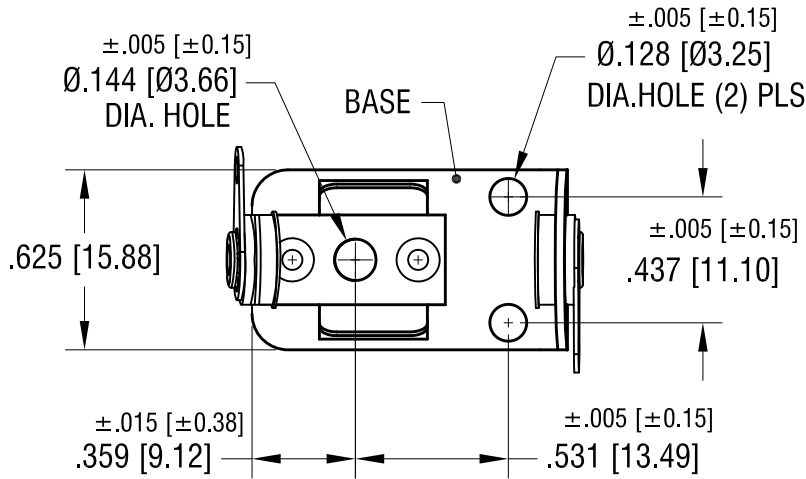
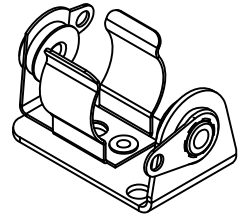


THIS DOCUMENT IS THE PROPERTY OF KEYSTONE ELECTRONICS CORP. AND SHALL NOT BE REPRODUCED, DISTRIBUTED OR USED AS A BASIS FOR MANUFACTURE WITHOUT PRIOR WRITTEN PERMISSION FROM KEYSTONE ELECTRONICS CORP.

**MOUNTING DETAIL**



**ACTUAL SIZE**



**NOTES:**

- 1. BASE: MAT'L - .032 [.81] TH'K STEEL  
FINISH - NICKEL PLATE
- CLIP: MAT'L - .015 [.38] TH'K STEEL  
FINISH - NICKEL PLATE
- TERMINAL LUG: MAT'L - .016 [.41] TH'K BRASS  
FINISH - TIN PLATE

**KEYSTONE ELECTRONICS CORP.**

www.keyelco.com • ASTORIA, N.Y. 11105-2017 • Tel (718) 956-8900

PART NAME			
INSULATED BATTERY HOLDER, '1/2AA'			
MATERIAL			
AS NOTED			
FINISH		DRN BY	DATE
AS NOTED		BOONE	6.4.07
		APP'D	SCALE
		LN	1.5X
TOLERANCES	INCH [MM]	CODE	DWG NO.
DECIMAL	±.010 [±0.25]	C	1103
ANGULAR	± 1°		
UNLESS OTHERWISE SPECIFIED			

12.10.13	CHANGE AS PER ECN 13-112	B
7.20.10	CHANGE AS PER ECN 10-055	A
DATE	DESCRIPTION	REV.

# Mouser Electronics

Authorized Distributor

Click to View Pricing, Inventory, Delivery & Lifecycle Information:

[Keystone Electronics:](#)

[1103](#)