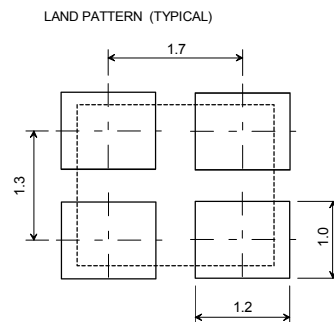
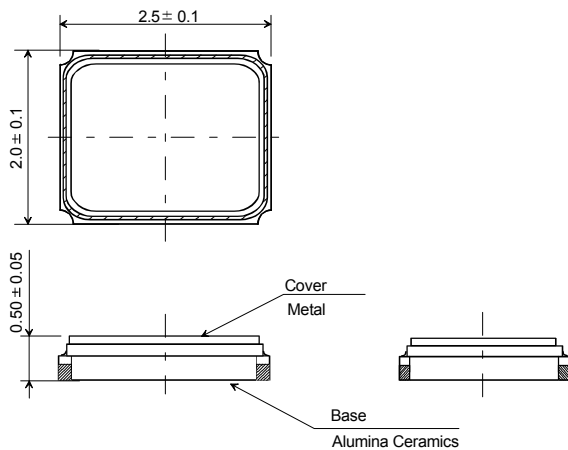
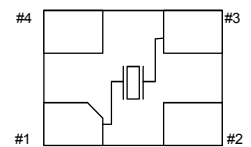


1	NDK Part Number	NX2520SA-19.200000MHz-NBG1
2	Chipset Maker	Please contact us
3	Application	Multimedia processor on mobile phone
4	Chipset Name	Please contact us
5	NDK Specification Number	EXS00A-CS05400
6	Type	NX2520SA
7	Electrical Characteristics	
7.1	Nominal Frequency (f_{nom})	19.200 MHz
7.2	Overtone order	Fundamental
7.3	Adjustment tolerance	$\pm 20 \times 10^{-6}$ max.
7.4	Tolerance over the temperature range	$\pm 30 \times 10^{-6}$ max. (at -30 to +85 °C)
7.5	Equivalent Series Resistance (R_r)	60 Ω max.
7.6	Maximum Drive Level	200 μ W max.
7.7	Aging (at +25 °C)	$\pm 5 \times 10^{-6}$ max./1year
8	Measurement Circuit	
8.1	Frequency Measurement	
8.1.1	Measuring Instrument	π -network (IEC)
8.1.2	Load Capacitance (C_L)	13 pF
8.1.3	Level of Drive	10 μ W
8.2	Equivalent Resistance Measurement	
8.2.1	Measuring Instrument	π -network (IEC)
8.2.2	Load Capacitance (C_L)	Series
8.2.3	Level of Drive	10 μ W
9	Operating Temperature Range	-30 ~ +85 °C
10	Storage Temperature Range	-40 ~ +85 °C
11	Dimension	

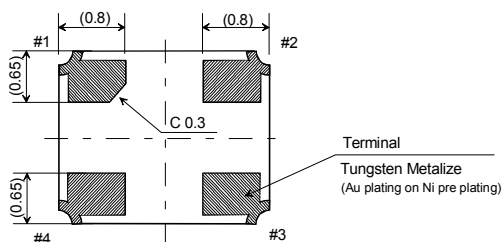
(Unit: mm)



[Top view]
Terminal land connections



TERMINAL
#1,#3: X'tal
#2,#4: GND(CONNECTION COVER)



Mouser Electronics

Authorized Distributor

Click to View Pricing, Inventory, Delivery & Lifecycle Information:

NDK:

[NX2520SA-19.2MHz-EXS00A-CS05400](#)