

Cable Gland *EMC - Nickel-Plated Brass*

key words:
liquid tight strain relief
cable gland
cord grip



Material:

- Body: Nickel-plated brass
- Seal: Tefabloc
- Clamping ring for grounding connection: Tin-plated plastic
- Seal ring for outer thread: Nitril

Characteristics:

- PG/Metric thread

Technical properties:

- Continuous EMC protection due to tin-plated plastic
- Gas tight and watertight
- Completely twist protected

Applications:

- Machines and devices
- Measuring and control engineering
- Plant installations
- Telecommunications



Temperature Range
-25 to 120°C (-13 to 248°F)

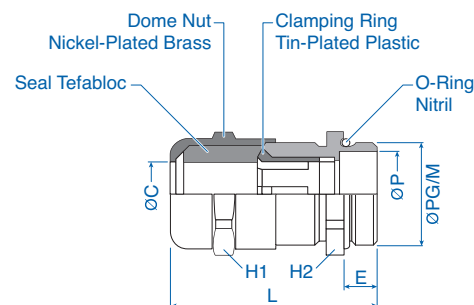


Outer thread	Cable Clamping range mm	Shield Clamping range mm	Cat. No.	Std. Pk.
PG				
PG 7	4 - 6.5	4 - 6.5	4264007	100
PG 9	5 - 8.5	4.5 - 8.5	4264009	50
PG 11	7 - 10.5	6 - 10.5	4264011	50
PG 13.5	8 - 12.5	8 - 12.5	4264013	50
PG 16	10 - 14.5	10 - 14.5	4264016	20
PG 21	13.5 - 18	13.5 - 18	4264021	25
PG 29	17 - 24	17 - 24	4264029	10
PG 36	24 - 30	24 - 30	4264036	10

Metric

M 12 x 1.5/7	4 - 6.5	4 - 6.5	4264112	100
M 16 x 1.5/7	4 - 6.5	4 - 6.5	4264116	100
M 16 x 1.5/9	5 - 8.5	4.5 - 8.5	4264117	50
M 20 x 1.5/11	7 - 10.5	6 - 10.5	4264120	50
M 20 x 1.5/13	8 - 12.5	8 - 12.5	4264121	50
M 25 x 1.5/16	10 - 14.5	10 - 14.5	4264125	25
M 25 x 1.5/21	13.5 - 18	13.5 - 18	4264126	25
M 32 x 1.5/21	13.5 - 18	13.5 - 18	4264132	10
M 32 x 1.5/29	17 - 24	17 - 24	4264133	10
M 40 x 1.5/29	17 - 24	17 - 24	4264134	10
M 40 x 1.5/36	24 - 30	24 - 30	4264135	10

Thread Size	Dimensions							
	H1 mm	H2 mm	E mm	L mm	ØC mm	ØP mm	ØPG/M mm	
PG7	14	14	5	35	6.5	7.2	12.5	
PG9	17	17	6	37	8.5	9.2	15.2	
PG11	20	20	6	40	10.5	11.2	18.6	
PG13.5	22	22	6.5	40	12.5	13.1	20.4	
PG16	24	24	6.5	40	15.2	15.6	22.5	
PG21	30	30	7	50	18.5	20.1	28.3	
PG29	40	40	8	60	25.0	26.2	37.0	
PG36	50	50	9	70	30.5	33.0	47.0	
M 12x1.5/7	14	14	7	37	6.5	7.2	12.0	
M 16x1.5/7	14	17	7	37	6.5	7.2	16.0	
M 16x1.5/9	17	17	7	38	8.5	9.2	16.0	
M 20x1.5/11	20	22	7	41	10.5	11.2	20.0	
M 20x1.5/13	22	22	7	41	12.5	13.1	20.0	
M 25x1.5/16	24	26	8	41	15.2	15.6	25.0	
M 25x1.5/21	30	30	8	51	18.5	20.1	25.0	
M 32x1.5/21	30	33	8.5	51.5	18.5	20.1	32.0	
M 32x1.5/29	40	40	8.5	60.5	25.0	26.2	32.0	
M 40x1.5/29	40	42	8.5	60.5	25.0	26.2	40.0	
M 40x1.5/36	50	50	8.5	67	30.5	33.0	40.0	



This is one of our most popular series and is usually kept in stock.

Locknuts sold separately, see page 25.

Cable Gland EMC - Nickel-Plated Brass

Material:

- Body: Nickel-plated brass
- Seal: Santoprene
- O-ring: Perbunan

Characteristics:

- PG thread

Technical properties:

- EMC protection due to pressure rings and circular spring
- Gas tight and watertight
- Completely twist protected

Applications:

- Machines and devices
- Measuring and control engineering
- Plant installations



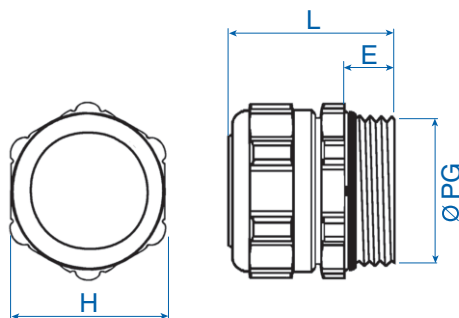
Temperature Range

-25 to 100°C
(-13 to 212°F)



Outer thread	Cable Clamping range mm	Shield Clamping range mm	Cat. No.	Std. Pk.
PG				
PG 9	4 - 6	2.5 - 6	4266 003	25
PG 9	6.5 - 9.5	2.2 - 6.5	4266 004	25
PG 9	6.5 - 9.5	3.5 - 8.5	4266 005	25
PG 11	7 - 10.5	4 - 8.5	4266 008	25
PG 13.5	6 - 9	3.5 - 7.5	4266 011	25
PG 13.5	7 - 10.5	4 - 8	4266 013	25
PG 16	6 - 10.5	6 - 9	4266 014	25
PG 16	8 - 12	6 - 9.5	4266 018	25
PG 16	10 - 14	9 - 13	4266 016	25
PG 21	14 - 18	12.5 - 17.5	4266 025	20
PG 21	17 - 20	12.5 - 17.5	4266 022	20
PG 29	19 - 23	15 - 21	4266 028	20
PG 36	25 - 29	18 - 25.5	4266 031	10

Thread Size	Dimensions			ØPG
	H mm	E mm	L mm	
PG9	20	6	34	15.2
PG11	24	10	41	18.6
PG13.5	24	10	41	20.4
PG16	30	11	43	22.5
PG21	30	12	44	28.3
PG29	40	13	53	37.0
PG36	50	14	61	47.0
PG42	60	15	65	54.0



This is one of our most popular series and is usually kept in stock.

Locknuts sold separately, see page 25.

Mouser Electronics

Authorized Distributor

Click to View Pricing, Inventory, Delivery & Lifecycle Information:

Altech:

[4264117](#) [4264112](#) [4264116](#) [4264133](#) [4264132](#) [4264121](#) [4264125](#) [4264126](#) [4264120](#) [4264016](#) [4264011](#)
[4264013](#) [4264007](#) [4264009](#) [4264021](#) [4264029](#) [4266 007](#) [4266 011](#) [4266 016](#) [4266 014](#) [4266 008](#) [4266 018](#)
[4264134](#) [4264036](#) [4264135](#) [4266 003](#) [4266 005](#) [4266 022](#) [4266 028](#) [4266 031](#) [4266 004](#) [4266 013](#) [4266 025](#)