



SERIES 77  
**Lipped, 45° Angle Shrink Boots**  
 770-003B Angled Boot  
 How to Order



45° Boots



Lipped, 45° angle heat shrink boots provide mechanical and environmental protection from damage and debris. These shrink boots fit most standard boot adapters for circular connectors. All adhesive lined and unlined shrink boots are RoHS compliant. Shrink boots are water-tight when equipped with factory installed or user-installed adhesive. Lipped boots lock into boot groove located on adapter. Choose boot size based on adapter diameter and cable diameter.

**How to Order**

<b>Sample Part Number</b>	<b>770</b>	<b>-003</b>	<b>B</b>	<b>1</b>	<b>03</b>	<b>W1</b>	<b>-PP</b>
<b>Product Series</b>	770 = Series 77 shrink boot						
<b>Basic Number</b>	003 = lipped, boot						
<b>Angular Function</b>	B = 45°						
<b>Material</b>	See material and adhesive compatibility table						
<b>Boot Size</b>	03, 04, 05, 06, 07; see dimensions table						
<b>Adhesive Lined</b>	Omit for no adhesive; see material and adhesive compatibility table						
<b>Potting Port</b>	PP = potting port Omit for none						

**Material and Adhesive Compatibility**

Material Code	Material Description (Compound No.)	Hot Melt Adhesives			High Performance Epoxy Adhesives		
		W1	W2	W3 (TACOM approved)	R	U	
		High Temperature -55°C to 125°C	Standard -55°C to 70°C	Elastomeric -55°C to 125°C	Pre-Coat -75°C to 150°C	Two-Part -75°C to 155°C	
1	High-Performance Semi-Rigid Elastomer (2025)	●	●		●	Type U epoxy adhesive is compatible with all boot materials. Ordered separately, user-installed (779-001). Order boot with no adhesive lining.	
2	Zero Halogen Semi-Rigid Polyolefin (2010)	●	●		●		
3	General Purpose Flexible Polyolefin (2040)		●				
5	Viton Fluoroelastomer Blend (2050)	●		●	●		
6	High Performance Elastomer Alloy (2051)	●		●			
7	Semi-Rigid Polyolefin (2071)	●	●				
8	Low Outgassing Fluoropolymer Alloy (2008)	Material Type 8 not available with pre-coat adhesive. Use Type U two-part epoxy					
9	Low Temp Flexible Polyolefin (2013)		●				

**NOTES**

1. See **Modification Codes** listed in Section A for material color options available for **Type 1 (compound 2025)** material.



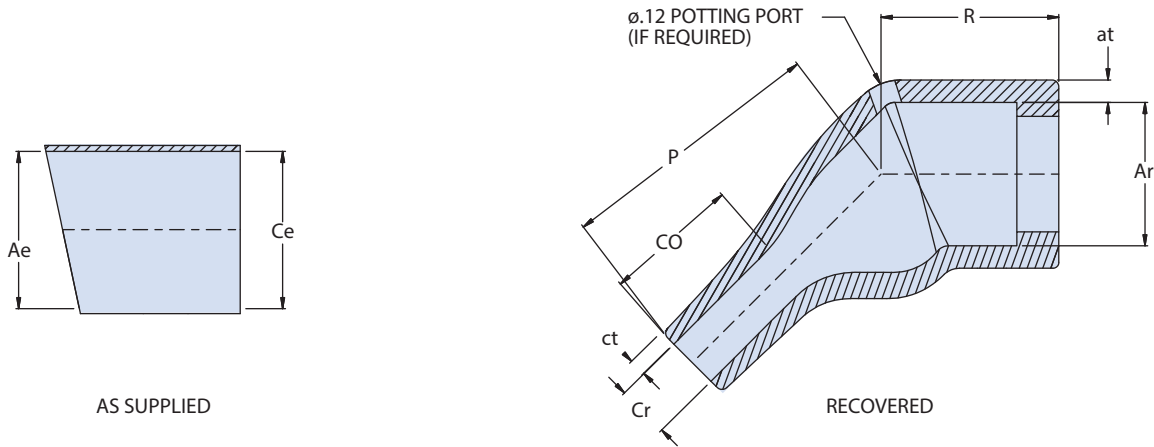
SERIES 77

# Lipped, 45° Angle Shrink Boots

770-003B Angled Boot  
Dimensions



## Lipped 45° Angle Shrink Boots: Dimensions

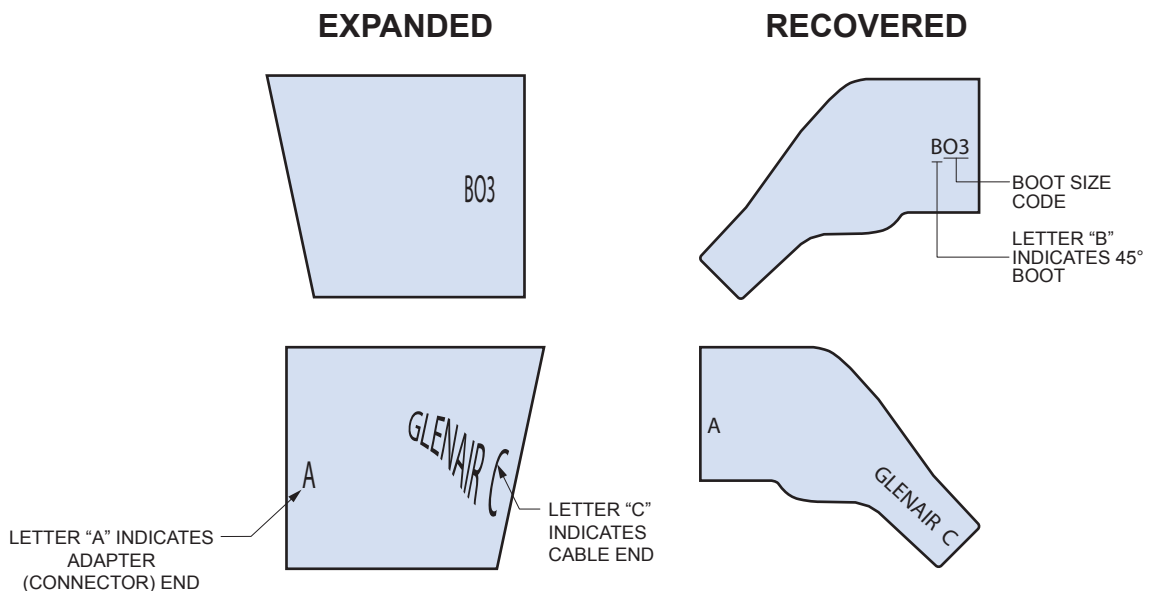


45° Boots



Dimensions											
Boot Size	Glenair US Part Marking	Shell Size	Ae Dia. Min	Ce Dia. Min	Ar Dia Max	at ±30%	Cr Dia. Max	ct ±20%	CO Ref	P ±10%	R Ref
03	B03	9	.945 (24.0)	.945 (24.0)	.413 (10.5)	.063 (1.6)	.157 (4.0)	.035 (0.9)	.315 (8.0)	.748 (19.0)	.500 (12.7)
04	B04	11 - 15	1.181 (30.0)	1.181 (30.0)	.551 (14.0)	.071 (1.8)	.236 (6.0)	.039 (1.0)	.354 (9.0)	1.180 (30.0)	.748 (19.0)
05	B05	13 - 17	1.260 (32.0)	1.260 (32.0)	.709 (18.0)	.079 (2.0)	.276 (7.0)	.071 (1.8)	.591 (15.0)	1.378 (35.0)	.984 (25.0)
06	B06	17 - 21	1.417 (36.0)	1.417 (36.0)	.866 (22.0)	.079 (2.0)	.335 (8.5)	.071 (1.8)	.709 (18.0)	1.575 (40.0)	1.260 (32.0)
07	B07	21 - 23	1.693 (43.0)	1.693 (43.0)	1.102 (28.0)	.087 (2.2)	.394 (10.0)	.079 (2.0)	.709 (18.0)	1.772 (45.0)	1.496 (38.0)

## Lipped 45° Angle Shrink Boots: Part Marking, Raised Lettering



# Mouser Electronics

Authorized Distributor

Click to View Pricing, Inventory, Delivery & Lifecycle Information:

[Glenair:](#)

[770-003B107](#) [770-003B103R](#) [770-003B204W1](#) [770-003B206W1](#) [770-003B104](#) [770-003B105](#) [770-003B107W1](#)  
[770-003B304W2](#)