

SuperNine® USB 2.0 type A connectors

233-340 Couplers with accessory threads

MIL-DTL-38999 Series III Type



**Plug
Front View**



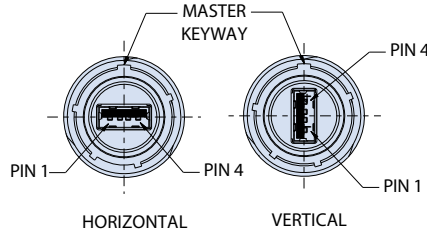
**Square Flange
Receptacle
Front View**



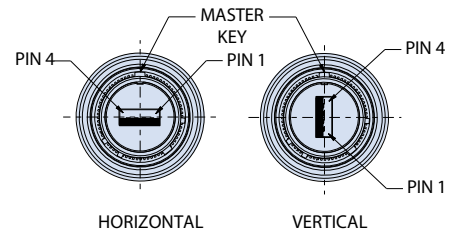
**Jam Nut Receptacle
Front View**

Part Number Development										
Sample Part Number	233-340	NF	00	-15	2	A	A	N	H	T
Basic Number	233-340									
Finish	See Material and Finish table									
Connector Style¹	See Connector Style table									
Shell Size	15									
USB Performance	2 = USB 2.0									
USB Front Interface	A = Type A									
USB Back Interface	A = Type A									
Alternate Key Position¹	A, B, C, D, E, N = Normal per MIL-DTL-38999									
USB Orientation	H = Horizontal V = Vertical									
Shrink Boot	T = Part No. 770-028 (Omit for None)									

USB Receptacle Orientation Options



USB Plug Orientation Options



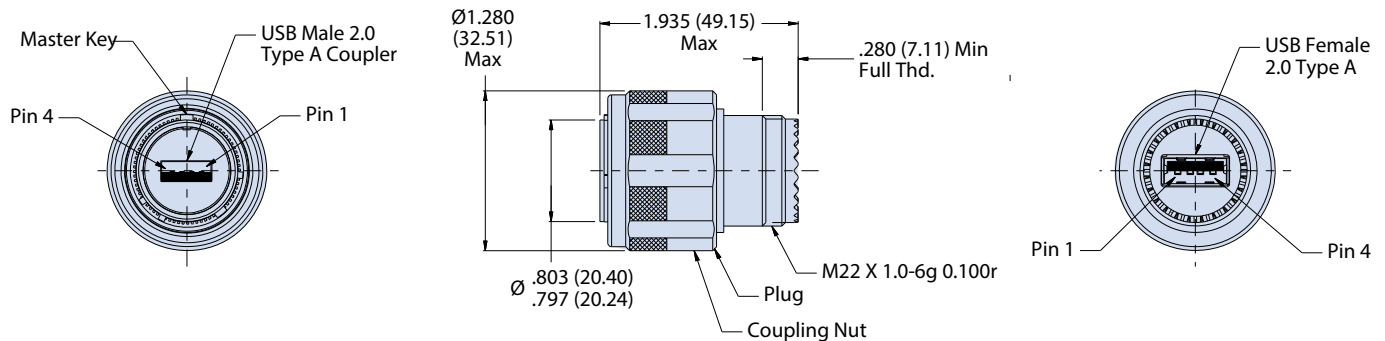
Material and Finish	
NF	Aluminum/Cadmium, Olive Drab
M	Aluminum/Electroless Nickel
MT	Alumimun/Nickel PTFE
ZR	Aluminum/Black Zinc-Nickel

All external dimensions, features, etc. compliant with D38999/20, /24, &/26. Consult factory for additional information.

Connector Style	
G6	Plug
07	Rear panel mount, jam nut receptacle
00	Wall mount receptacle with slotted holes
D0	Wall mount receptacle with round holes
CM	Wall mount receptacle with metric clinch nuts

USB 2.0 Wiring				
Pin	Name	Cable Color (USB)	Description	Recommended Wire Sizes (AWG)
1	(V Bus)	Red	+5 V	22
2	(D-)	White	Data -	28
3	(D+)	Green	Data +	28
4	(GND)	Black	Ground	22

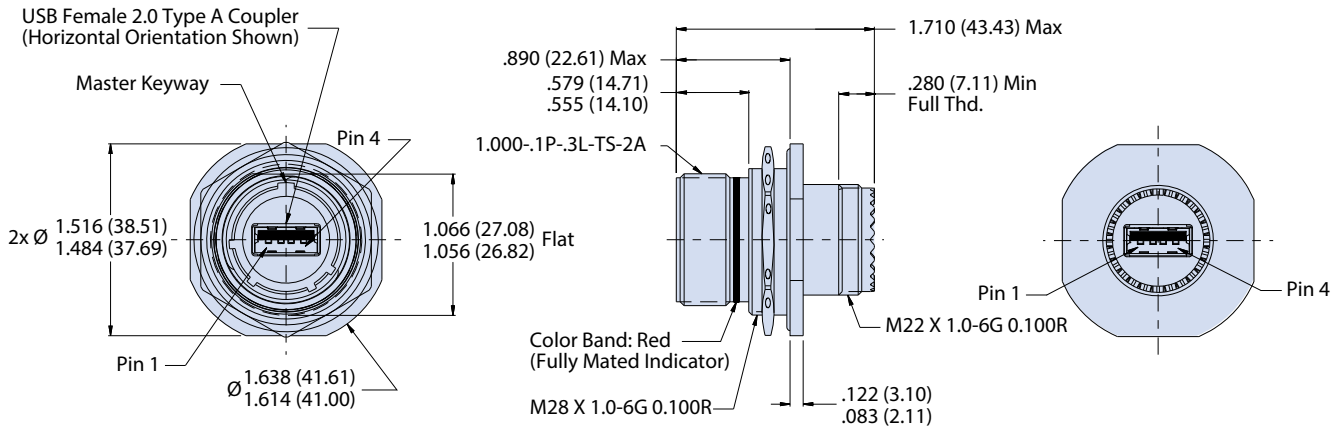
G6 - PLUG WITH ACCESSORY THREADS



233-340 Couplers with accessory threads

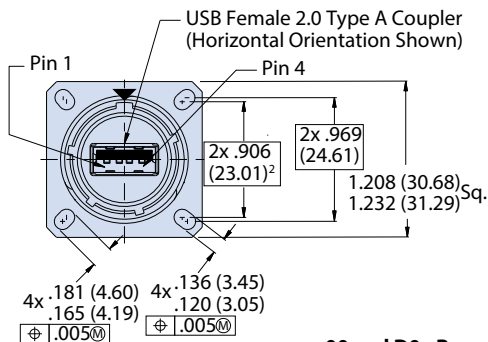
MIL-DTL-38999 Series III Type

07 - REAR PANEL MOUNT, JAM NUT RECEPTACLE WITH ACCESSORY THREADS

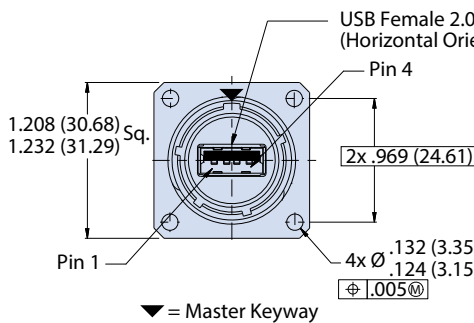


00, D0 AND CM - WALL MOUNT RECEPTACLES WITH ACCESSORY THREADS

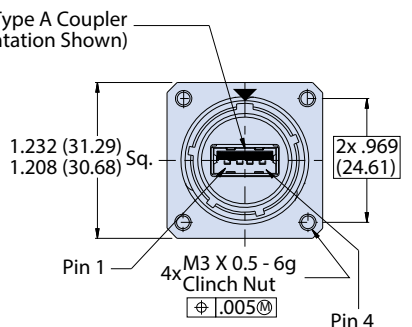
00 - Slotted Hole Receptacle Face View



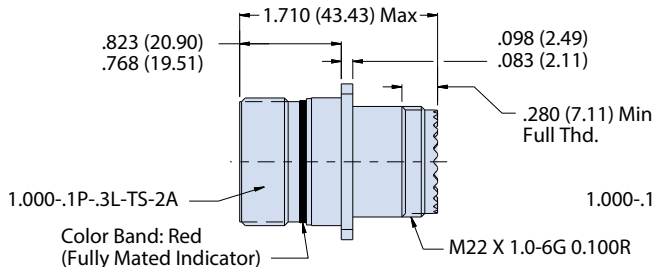
D0 - Round Hole Receptacle Face View



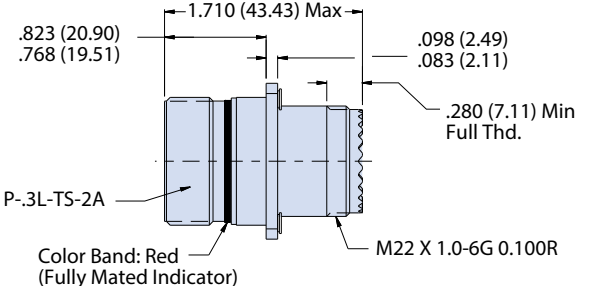
CM - Clinch Hole Receptacle Face View



00 and D0 - Receptacle Side View



CM - Receptacle Side View



NOTES

- See Section A for alternate key/keyway positions and panel cutout dimensions
- Meets IP67 in unmated condition, IP68 mated
- Receptacle has USB female receptacle, plug has USB male plus
- Material and Finish
 - Shell, jam nut: al alloy
 - Insulators: high grade rigid dielectric/n.a.
 - Contacts: copper alloy, gold plated
 - Seals: silicone based elastomer
- USB (shell/contacts): copper alloy
- Dielectric: hi-temp thermoplastic PA9T UL94V-0
- Hardware: stainless steel /passivated

Mouser Electronics

Authorized Distributor

Click to View Pricing, Inventory, Delivery & Lifecycle Information:

Glenair:

[233-340NFG6-152AANH](#) [233-340NF00-152AANH](#) [233-340NFG6-152AANHT](#) [233-340NF00-152AANHT](#) [233-340NF07-152AANHT](#)